

Ameluna suspension

1401018A

SPECIFICATIONS



Design By

Artemide
Mercedes-Benz Style

Collection

Design



Specifications

Delivered lumens	2994.91lm
Light output ratio	65.1lm/W
Power consumption	46W
Led type	39.1W Array*
CCT (Correlated Color Temperature)	3000K
CRI (Color Rendering Index)	>90
Life expectancy	50000Hrs
Control type	Dimmable 2-Wire
Input Voltage	120V
Driver	HATCH - 1 x LC40-2100P-120-G

Colors & Finishes

Transparent (Body)

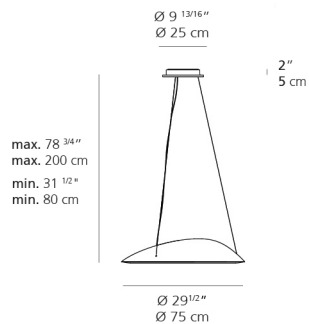
Materials

- Body in high transparency injection-molded PMMA
- Lower ring of body in PMMA with opaline finish

Features & Accessories

- Ameluna discloses an innovative optoelectronic system integrated in the transparent frame
- Heatsink is an extrusion that runs all around the body and hosts the LED strips
- Light reflected by thin PMMA element and then diffused by ring of opaline PMMA

Dimensions



Packaging

1 Box

1 x 35-1/2" x 35-1/2" x 13-7/8" / 31.97 lbs - 90 cm x 90 cm x 35 cm / 14.5 kg

Light distribution

Direct

Luminaire weight

16.53 lbs / 7.5 kg

Warranty

5 year limited warranty