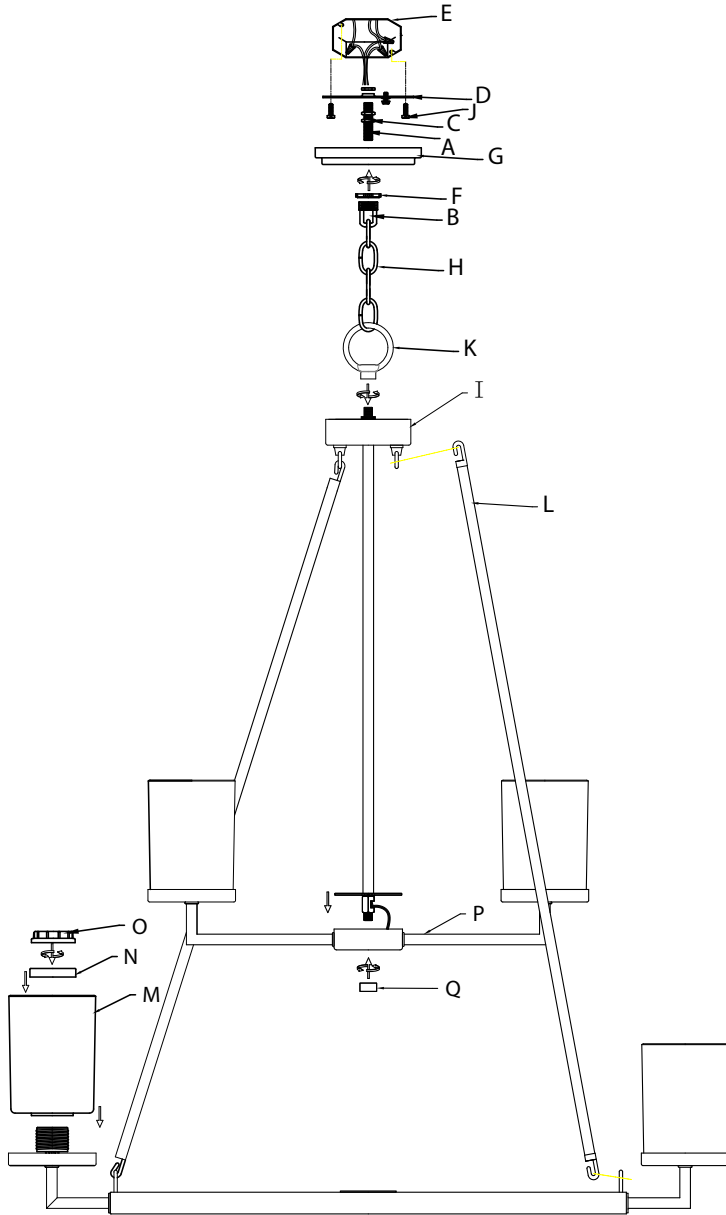


Fixture Diagram



Parts List

- | | | |
|------------------------------|----------------------------|-------------------------|
| [A] Threaded Pipe | [F] Threaded Ring | Screws |
| [B] Screw Collar Loop | [G] Canopy | [K] Loop |
| [C] Hexnut | [H] Chain (Links) | [L] Support Rods |
| [D] Mounting Strap | [I] Upper Main Body | [M] Glass |
| [E] Outlet Box | [J] Strap Mounting | [N] Glass Spacer |
| | | [O] Socket Ring |

Cautions

CAUTION – RISK OF SHOCK – Disconnect Power at the main circuit breaker panel or main fusebox before starting and during the installation.

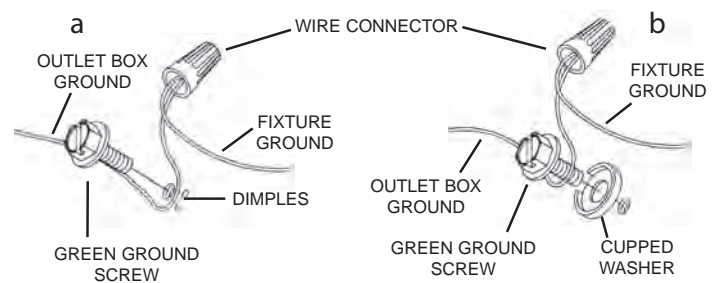
WARNING:
This fixture is intended for installation in accordance with the National Electrical Code (NEC) and all local code specifications. If you are not familiar with code requirements, installation by a certified electrician is recommended.

Installation Instructions

- 1) Take threaded pipe [A] from parts bag and screw in screw collar loop [B] a minimum of 6 mm (1/4"). Lock into place with hexnut [C].
- 2) Run another hexnut down threaded pipe almost touching first hexnut. Screw threaded pipe into mounting strap [D]. Mounting strap must be positioned with extruded thread faced into outlet box [E]. Threaded pipe must protrude out the back of mounting strap. Screw third hexnut onto end of threaded pipe protruding from back of mounting strap.

Installation Instructions (continued)

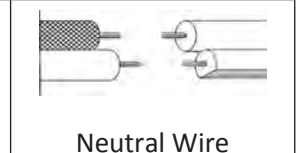
- 3) Connect mounting strap to outlet box using the strap mounting screws [J].
- 4) Unscrew the threaded ring [F] from screw collar loop. Take canopy [G] and pass over screw collar loop. Approximately one half of the screw collar loop exterior threads should be exposed. Adjust screw collar loop by turning assembly up or down in mounting strap. Remove canopy.
- 5) After desired position is found, tighten both top and bottom hexnuts up against the bottom and top of the mounting strap.
- 6) Slip canopy over screw collar loop and thread on threaded ring. Attach chain [H] (with fixture connected) to bottom of screw collar loop. Unscrew threaded ring, let canopy and threaded ring slip down. Attach chain to fixture if required.
- 7) Attach decorative loop [K] to top of main body [I]. Attach chain to fixture if required.
- 8) Weave electrical wire and ground wire through chain links [H] no more than 3 inches apart. Pass wire through threaded ring [F], canopy, screw collar loop, threaded pipe and into outlet box.
- 9) Grounding instructions: (See Illus. a or b).
 - a) On fixtures where mounting strap is provided with a hole and two raised dimples, wrap ground wire from outlet box around green ground screw, and thread into hole.
 - b) On fixtures where a cupped washer is provided, attach ground wire from outlet box under cupped washer and green ground screw, and thread into mounting strap.
 If fixture is provided with ground wire, connect fixture ground wire to outlet box ground wire with wire connector (Not provided) after following the above steps. Never connect ground wire to black or white power supply wires.



- 10) Make wire connection. Reference chart below for correct connections and wire accordingly.

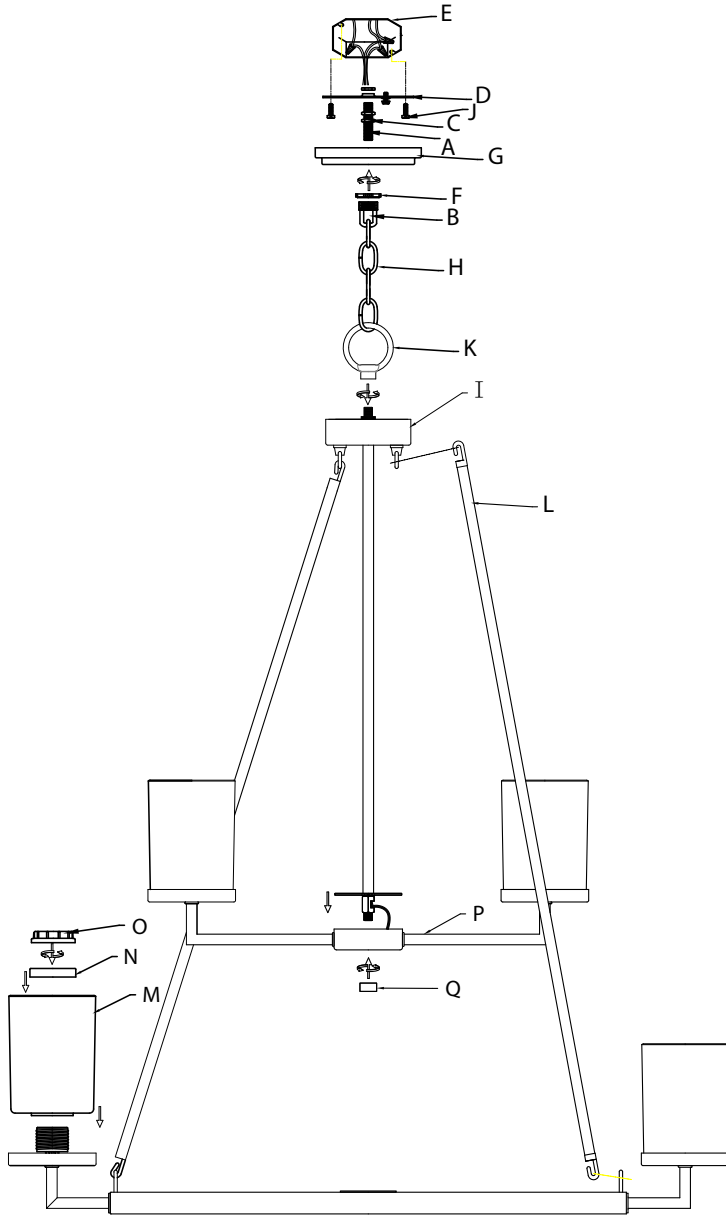
Connect Black or Red Supply Wire to:	Connect White Supply Wire to:
Black	White
*Parallel cord (round & smooth)	*Parallel cord (square & ridged)
Clear, Brown, Gold or Black without Tracer	Clear, Brown, Gold or Black with Tracer
Insulated wire (other than green) with copper conductor	Insulated wire (other than green) with silver conductor

*Note: When parallel wire (SPT 1 & SPT 2) are used. The neutral wire is square shaped or ridged and the other wire will be round in shape or smooth (See illus.)



- 11) Lower the upper main body [I] down onto the upper light tier [P] and secure into place using the finial [Q].
- 12) Attach the support rod [L] to the upper main body [I] and to the lower 6 light ring as shown.
- 13) Raise canopy to ceiling.
- 14) Secure canopy in place by tightening threaded ring onto screw collar loop.
- 15) Carefully lower glass [M] to the fixture. Slip the smaller opening over the socket and fit the glass against the socket.
- 16) Place glass spacer [N] into installed glass over socket.
- 17) Thread the socket ring [O] onto the socket. Tighten socket ring to secure glass in place. (DO NOT over tighten).

Fixture Diagram



Parts List

- | | | |
|-----------------------|---------------------------|----------------------|
| [A] Threaded Pipe | [G] Ring | [L] Support Rods |
| [B] Screw Collar Loop | [H] Canopy | [M] Glass |
| [C] Hexnut | [I] Chain (Links) | [N] Glass Spacer |
| [D] Mounting Strap | [J] Upper Main Body | [O] Socket Ring |
| [E] Outlet Box | [K] Strap Mounting Screws | [P] Upper Light Tier |
| [F] Threaded Ring | [Q] Loop | [Q] Finial |

Cautions

CAUTION – RISK OF SHOCK –
Disconnect Power at the main circuit breaker panel or main fusebox before starting and during the installation.

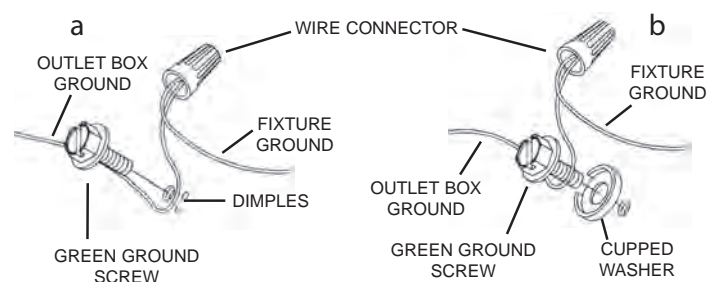
WARNING:
This fixture is intended for installation in accordance with the National Electrical Code (NEC) and all local code specifications. If you are not familiar with code requirements, installation by a certified electrician is recommended.

Installation Instructions

- 1) Take threaded pipe [A] from parts bag and screw in screw collar loop [B] a minimum of 6 mm (1/4"). Lock into place with hexnut [C].
- 2) Run another hexnut down threaded pipe almost touching first hexnut. Screw threaded pipe into mounting strap [D]. Mounting strap must be positioned with extruded thread faced into outlet box [E]. Threaded pipe must protrude out the back of mounting strap. Screw third hexnut onto end of threaded pipe protruding from back of mounting strap.

Installation Instructions (continued)

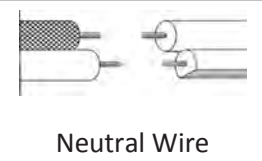
- 3) Connect mounting strap to outlet box using the strap mounting screws [J].
 - 4) Unscrew the threaded ring [F] from screw collar loop. Take canopy [G] and pass over screw collar loop. Approximately one half of the screw collar loop exterior threads should be exposed. Adjust screw collar loop by turning assembly up or down in mounting strap. Remove canopy.
 - 5) After desired position is found, tighten both top and bottom hexnuts up against the bottom and top of the mounting strap.
 - 6) Slip canopy over screw collar loop and thread on threaded ring. Attach chain [H] (with fixture connected) to bottom of screw collar loop. Unscrew threaded ring, let canopy and threaded ring slip down. Attach chain to fixture if required.
 - 7) Attach decorative loop [K] to top of main body [I]. Attach chain to fixture if required.
 - 8) Weave electrical wire and ground wire through chain links [H] no more than 3 inches apart. Pass wire through threaded ring [F], canopy, screw collar loop, threaded pipe and into outlet box.
 - 9) Grounding instructions: (See Illus. a or b).
 - a) On fixtures where mounting strap is provided with a hole and two raised dimples, wrap ground wire from outlet box around green ground screw, and thread into hole.
 - b) On fixtures where a cupped washer is provided, attach ground wire from outlet box under cupped washer and green ground screw, and thread into mounting strap.
- If fixture is provided with ground wire, connect fixture ground wire to outlet box ground wire with wire connector (Not provided) after following the above steps. Never connect ground wire to black or white power supply wires.



- 10) Make wire connection. Reference chart below for correct connections and wire accordingly.

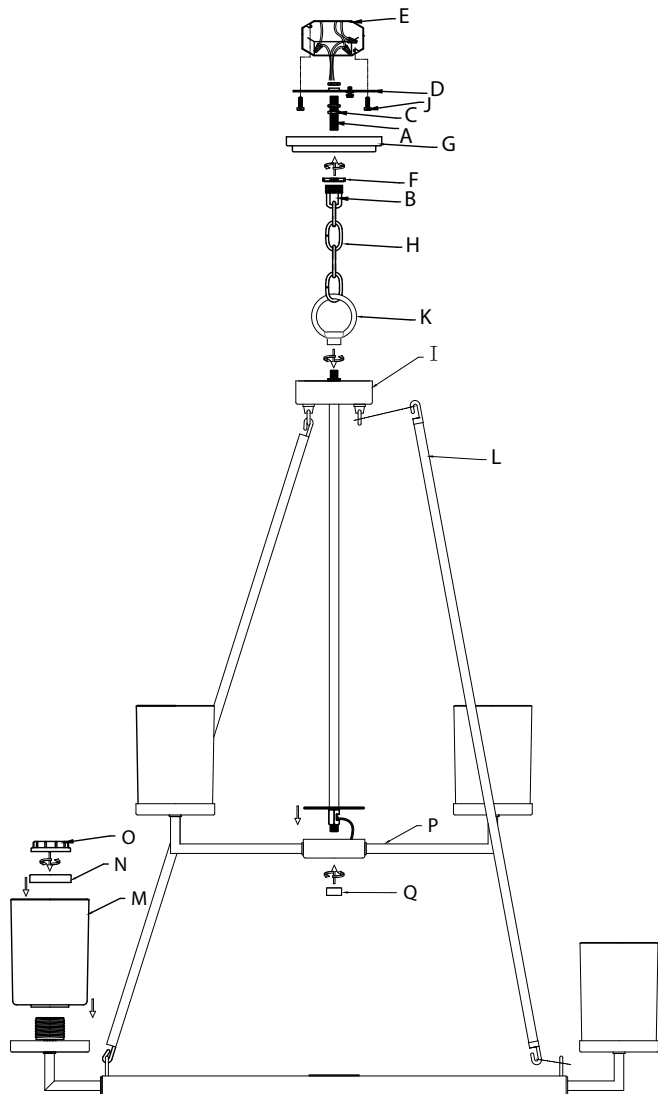
Connect Black or Red Supply Wire to:	Connect White Supply Wire to:
Black	White
*Parallel cord (round & smooth)	*Parallel cord (square & ridged)
Clear, Brown, Gold or Black without Tracer	Clear, Brown, Gold or Black with Tracer
Insulated wire (other than green) with copper conductor	Insulated wire (other than green) with silver conductor

*Note: When parallel wire (SPT 1 & SPT 2) are used. The neutral wire is square shaped or ridged and the other wire will be round in shape or smooth (See illus.)



- 11) Lower the upper main body [I] down onto the upper light tier [P] and secure into place using the finial [Q].
- 12) Attach the support rod [L] to the upper main body [I] and to the lower 6 light ring as shown.
- 13) Raise canopy to ceiling.
- 14) Secure canopy in place by tightening threaded ring onto screw collar loop.
- 15) Carefully lower glass [M] to the fixture. Slip the smaller opening over the socket and fit the glass against the socket.
- 16) Place glass spacer [N] into installed glass over socket.
- 17) Thread the socket ring [O] onto the socket. Tighten socket ring to secure glass in place. (DO NOT over tighten).

Diagrama de Accesorios



Lista de Partes

[A] Tubo Roscado	Cadena	apoyo
[B] Ojal del Collar Roscado	[I] Cuerpo Principal Superior	[M] Vidrio
[C] Tuerca Hexagonal	[J] Tornillo De Montaje De La Abrazadera	[N] Separador de Vidrio
[D] Abrazadera de Montaje	[K] El lazo decorativo	[O] Anillo del Portalámparas
[E] Caja de Salida	[L] La varilla de	[P] De luz superior
[F] Anillo Roscado		[Q] Utilizando el remate
[G] Escudete		
[H] Eslabón de		

Precauciones

PRECAUCIÓN – RIESGO DE DESCARGA ELÉCTRICA – Desconecte la electricidad en el panel principal del interruptor automático o caja principal de fusibles antes de comenzar y durante la instalación.

ADVERTENCIA:

Este accesorio está destinado a la instalación de acuerdo con el National Electrical Code (NEC) y todas las especificaciones del código local. Si no está familiarizado con los requisitos del código, la instalación se recomienda un electricista certificado.

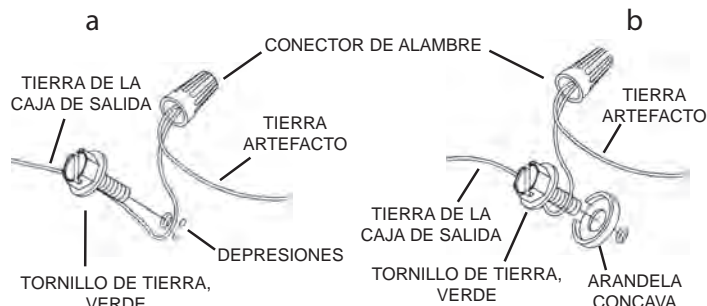
Instrucciones de Instalación

- 1) Tome el tubo roscado [A] de la bolsa de partes y enrosque en el ojal del collar roscado [B] un mínimo de 6 mm (1/4"). Asegúrelo en su lugar con una tuerca hexagonal [C].
- 2) Coloque otra tuerca hexagonal en el tubo roscado casi tocando la primera. Ahora enrosque el tubo roscado en la abrazadera de montaje [D]. La abrazadera de montaje debe estar colocada con la rosca extruida mirando a la caja de salida [E]. El tubo roscado debe sobresalir de atrás de la abrazadera de montaje. Enrosque la tercera tuerca hexagonal en el extremo del tubo roscado que sobresale de atrás de la abrazadera de montaje.
- 3) Conecte la abrazadera de montaje a la caja de salida con los tornillos de montaje de la correa [X].
- 4) Desenrosque el anillo roscado [F] del ojal de collar roscado. Tome el escudete [G] y páselo sobre el ojal de collar roscado. Aproximadamente la mitad de las roscas externas del ojal de collar roscado deben ser expuestas. Ajuste el ojal de collar roscado girando el ensamblaje hacia arriba o hacia abajo en la abrazadera de montaje. Remueva el escudete.
- 5) Después de haber encontrado la posición deseada, apriete la tuerca hexagonal de arriba y de abajo contra la

Instrucciones de instalación (continuación)

- 6) Deslice el escudete sobre el ojal de collar roscado y enrosque en el anillo roscado. Fije la eslabón de cadena [H] (con el artefacto conectado) a la parte inferior del ojal de collar roscado. Desenrosque el anillo roscado, deje que el escudete y el anillo roscado se deslicen hacia abajo. Attachez la chaîne au montage si nécessaire.
- 7) Una el lazo decorativo [K] a la parte superior del cuerpo principal [I]. Adjunte la cadena al accesorio si es necesario.
- 8) Entrelace el alambre eléctrico y el alambre de tierra a través de los acoplamientos de la cadena no más de 3 pulgadas aparte. Enhebre el cable a través del anillo roscado, el refuerzo, el ojal roscado del collar, el tubo roscado y en la caja de salida.
- 9) Instrucciones de conexión a tierra solamente para los Estados Unidos. (Vea la ilustración a o b).
 - a) En las lámparas que tienen el fleje, de montaje con un agujero y dos hoyuelos realzados, enrollar el alambre a tierra de la caja tomacorriente alrededor del tornillo verde y pasarlo por el agujero.
 - b) En las lámparas con una arandela acopada, fijar el alambre a tierra de la caja tomacorriente del ajo de la arandela acuada y tornillo verde, y pasar por el fleje de montaje.

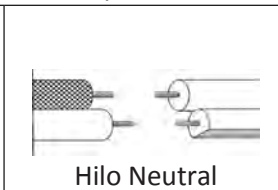
Si la lámpara viene con alambre a tierra, conectar el alambre a tierra de la lámpara al alambre a tierra de la caja tomacorriente con un conector de alambres (No incluido) espues de seguir los pasos anteriores. Nunca conectar el alambra a tierra a los alambres eléctricos negro o blanco.



- 10) Haga las conexiones de los alambres. La tabla de referencia de abajo indica las conexiones correctas y los alambres correspondientes.

Conectar el alambre de suministro negro o rojo al	Conectar el alambre de suministro blanco al
Negro	Blanco
*Cordon paralelo (redondo y liso)	*Cordon paralelo (cuadrado y estriado)
Claro, marrón, amarillo o negro sin hebra identificadora	Claro, marrón, amarillo o negro con hebra identificadora
Alambre aislado (diferente del verde) con conductor de cobre	Alambre aislado (diferente del verde) con conductor de plata

*Nota: Cuando se utiliza alambre paralelo (SPT 1 y SPT 2). El alambre neutro es de forma cuadrada o estriada y el otro alambre será de forma redonda o lisa. (Vea la ilustración).



- 11) Baje el cuerpo principal superior [I] hacia abajo sobre el nivel de luz superior [P] y asegúrelo en su lugar utilizando el remate [Q].
- 12) Fije la varilla de apoyo [L] al cuerpo principal superior [I] y al anillo de 6 luces inferior como se indica.
- 13) Suba el escudete al techo.
- 14) Asegure el escudete en su lugar apretando el anillo roscado sobre el ojal de collar roscado.
- 15) Baje cuidadosamente el vidrio [M] al artefacto. Pase la abertura más pequeña sobre el portalámparas y ajuste el vidrio contra el portalámparas.
- 16) Coloque el separador de vidrio [N] en el vidrio instalado sobre el portalámparas.
- 17) Enrosque el anillo del portalámparas [O] en el portalámparas. Apriete el anillo del portalámparas para asegurar el vidrio en su lugar. (NO apriete demasiado).
- 18) Inserte las bombillas recomendadas. (No se proveen).