

INSTRUCTIONS PERTAINING TO A RISK OF FIRE, OR INJURY TO PERSONS IMPORTANT SAFETY INSTRUCTIONS

Lighted lamp is HOT!

WARNING — To reduce the risk of FIRE OR INJURY TO PERSONS.

- 1) Turn off / unplug and allow to cool before replacing lamp.
- 2) Lamp gets HOT quickly!
- 3) Do not touch hot lens or cowl.
- 4) Do not touch lamp or fixture if warm.
- 5) Do not look directly at lamp when on.
- 6) Keep lamp away from combustible materials.
- 7) Use only with wattage and lamp marked on fixture.
- 8) Do not touch the inner glass envelope of the lamp at any time. Use a soft cloth. Oil from skin may damage lamp.
- 9) Do not operate the fixture with a damaged or missing lens.

SAFETY INSTRUCTIONS READ THIS FIRST KEEP THESE INSTRUCTIONS

This fixture is intended for installation in accordance with the National Electric Code (NEC) and Local code specifications. Failure to adhere to these codes and instructions may result in serious injury and/or property damage and will void the warranty.

- 1) **WARNING:** This fixture is not to be installed within 10 feet (3M) of a pool, spa or fountain.
- 2) This fixture is to be used only with a power unit (transformer) rated a maximum of 300 W (25 AMPS) 15 volts per circuit.
- 3) The #18 ga. fixture wire is not intended for direct burial or direct connection to transformer.
- 4) Direct burial rated wire is to be buried a minimum of 6" (152mm) beneath the surface of the ground. **NOTE:** If additional Direct Burial wire is needed, contact your local Kichler® landscape distributor.
 - 8 GA wire can be purchased in length of 250' (76 M), 15503-BK.
 - 10 GA wire can be purchased in length of 250' (76 M), 15504-BK.
 - 12 GA wire can be purchased in lengths of 100' (30 M), 15501-BK; 250' (76 M), 15502-BK; 500' (152M), 15505-BK; and 1000' (304 M), 15506-BK.
- 5) Fixture shall not use a tungsten halogen lamp unless the fixture is marked for use with such lamps.
- 6) Wiring connections must be made with approved/listed wire connection device(s) suitable for the application. Do not exceed manufacturers' wiring combination specifications for size and quantity of conductors.

CAUTION

WHEN INSTALLING KICHLER LANDSCAPE LIGHTING (LINE VOLTAGE OR LOW VOLTAGE), CARE SHOULD BE TAKEN TO KEEP CLEAR OF POTENTIALLY COMBUSTIBLE MATERIALS.

WHEN MAINTAINING THE FIXTURES, BE SURE TO REMOVE LEAVES, PINE NEEDLES, GRASS CLIPPINGS, MULCH, OR ANY DEBRIS THAT HAS ACCUMULATED ON THE LIGHT BULB, LENS, OR BODY OF THE FIXTURE.

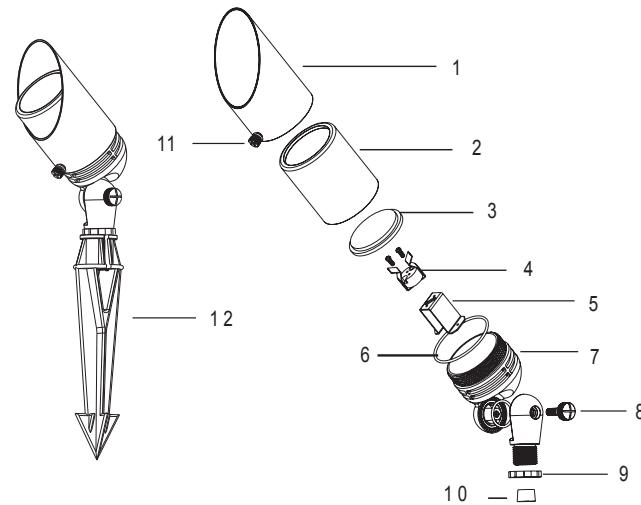
ASSEMBLY AND INSTALLATION

1. **TURN OFF POWER.**
2. Determine desired location for mounting fixture.
3. At desired location, hammer stake into ground. To avoid damage to stake, place a board on top of stake or use a rubber mallet. If ground is hard and stake is difficult to install, make a crosscut in ground using a flat shovel.
4. Clear away area in ground at wireway opening in stake.
5. Unscrew cowl from accent light. Cowl is removed by unscrewing set screw with counter-clockwise turns.
6. Remove housing to expose socket. Housing is removed by unscrewing the housing with counter-clockwise turns.
7. Install lamp to socket inside accent light. **NOTE:** Use caution when installing. Hold lamp by outer housing. **DO NOT** touch glass envelope inside. If this happens, clean lamp with denatured alcohol and a lint free cloth.
8. Install cowl onto accent light housing. Cowl is installed with clockwise quarter-turn twist.
9. Route fixture cable through wireway opening and install fixture in stake. Care should be taken to ensure wire is not twisted. Adjust to desired aiming direction.
10. Adjust angle of accent light by loosening swivel adjustment screw.
11. Make wire connections using an approved wire nuts (not supplied.)

MR16 ACCENT FIXED SOCKET

MODEL # 15485CBR

FIXTURE DETAILS:



1. Cowl 2. Housing 3. Lens 4. Socket with Clip 5. Socket Bracket 6. O-Ring 7. Body 8. Thumb Screw 9. Lock Nut 10. Grommet 11. Set Screw 12. Stake