

Calipso
Neil Poulton



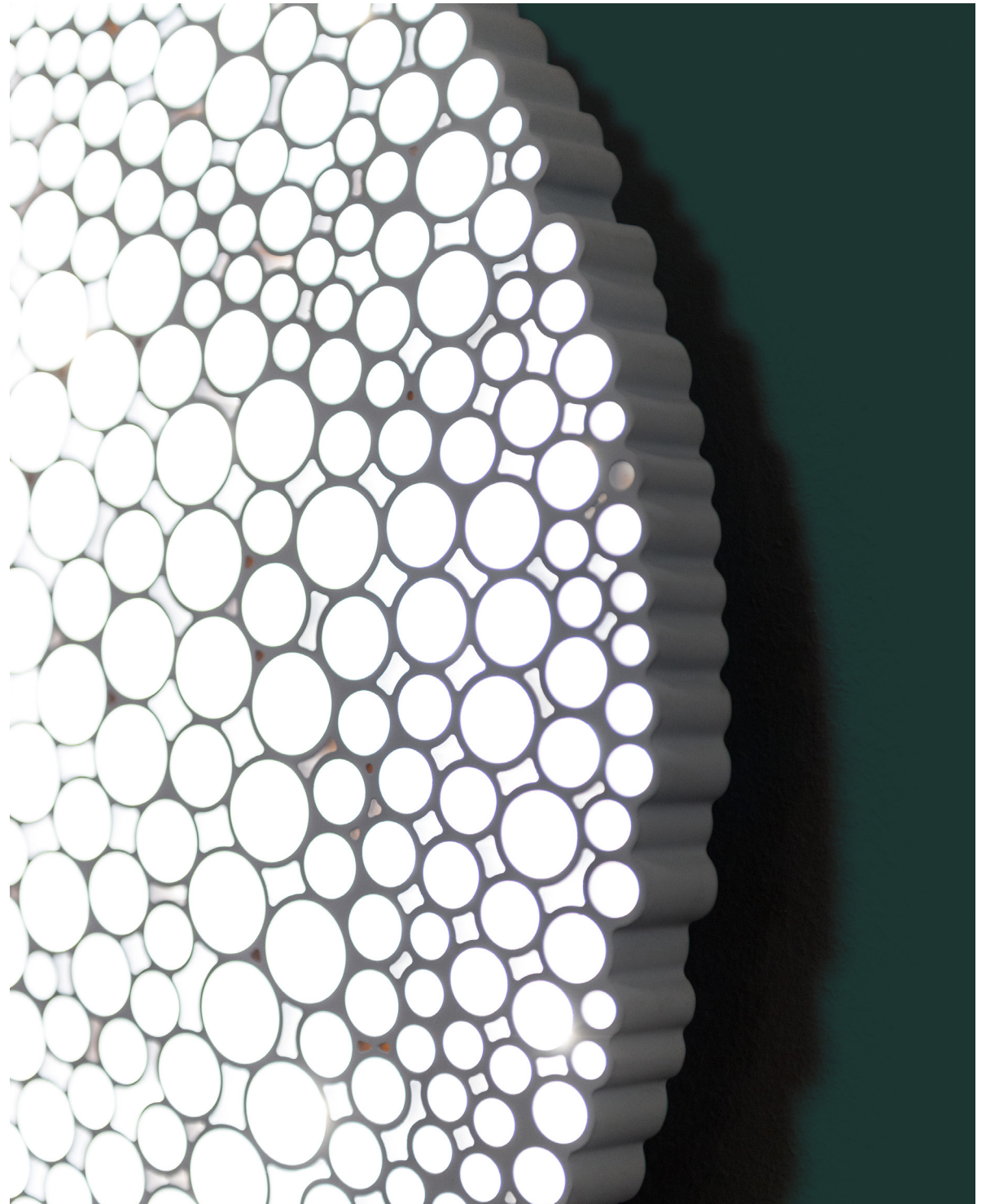
NEIL POULTON

Born in Scotland in 1963, Neil Poulton is best known for technology-based product design including the Ageing Pen, made from “living” plastic which wears away with use and LaCie’s ground-breaking FireWire Speakers.

Having created multiple award-winning products for companies all over the world, Poulton lives and works in Paris where he continues to focus on simple, mass-produced objects of practical use.

GEOMETRY

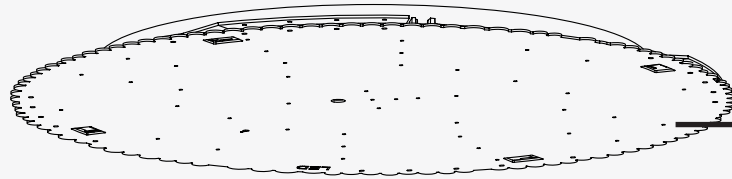
Calipso's unique honeycomb surface was generated by feeding a photo of the moon into an image-based algorithm. The result is a fractal shape, an impure geometry that displays the irregular beauty of nature. Small circles of varying diameters are arranged side by side with precision.



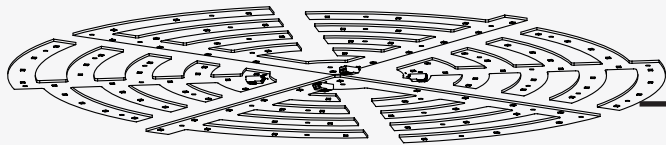
COMFORT

Calipso defines a perfect emission for workplaces. The shell is placed over a thermoformed screen, which helps avoid a direct view of the LED circuit while maintaining its characteristic “dot effect.”

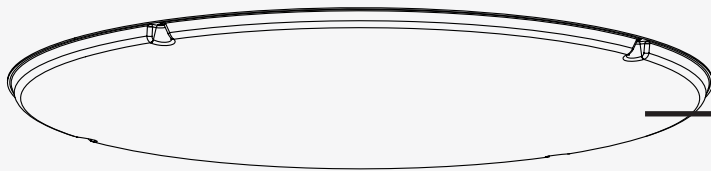




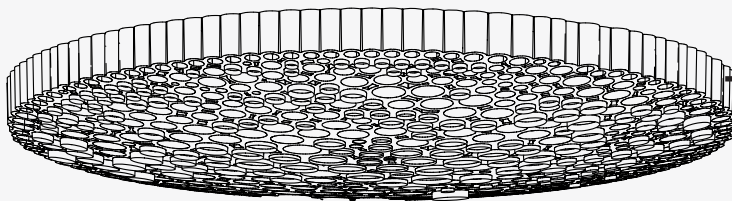
Ceiling structure



LED circuit



Thermoformed screen
to avoid direct view of
LED circuit, maintaining
characteristic "dot effect"



Injection-molded
technopolymer shell

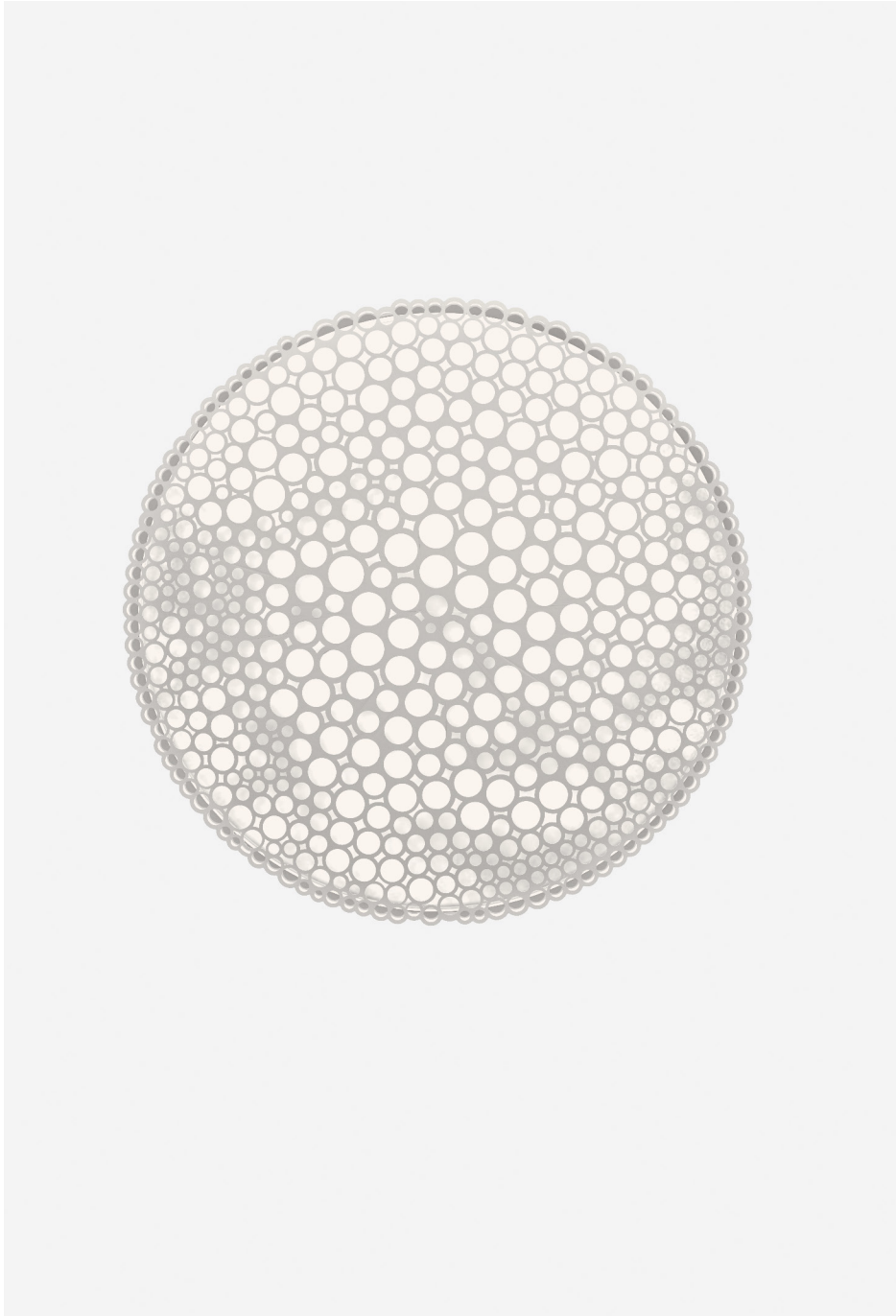




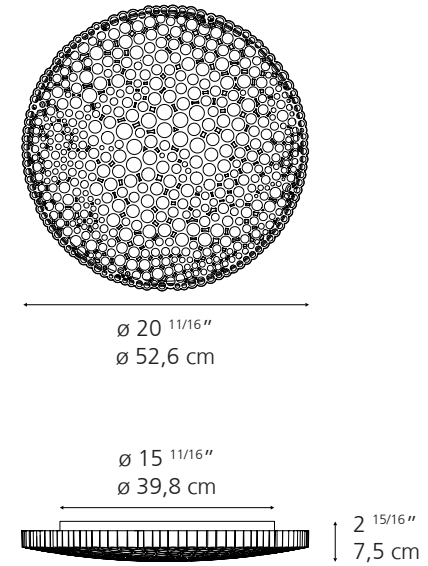
PERFORMANCE

Calipso is a highly emotional lighting object that joins together optical and aesthetic intelligence. While its performance is ideal for office use, it moves away from the traditional look of technical appliances designed for work environments. Calipso is a product perfectly half-way between home and professional use, suited for a variety of application fields. It meets Artemide's standard of delivering high performance lighting with a unique and emotional expressiveness.

Calipso Wall



Technical Data

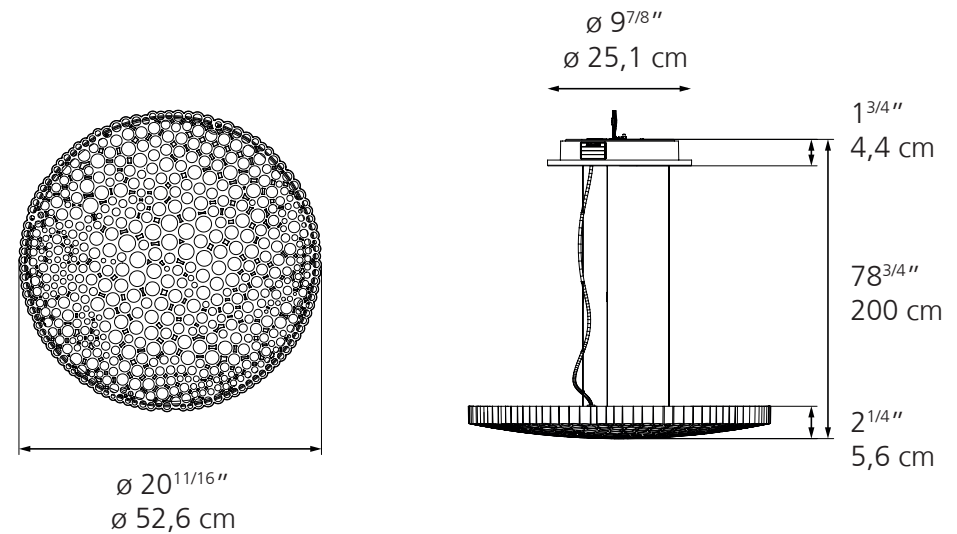


MATERIALS	Louver in ASA. Fractal shape of impure geometry.
EMISSION	Direct
LIGHT SOURCE	LED 49.8W 2700K >90CRI or 49.8W 3000K >90CRI
DIMMING FEATURE	Driver is compatible to both 2-wire Dimming and 0-10V dimming options
DELIVERED LUMENS	2884lm
FINISH	○ White
CERTIFICATIONS	c.UL.us listed, IP20, ADA

Calipso Suspension



Technical Data



MATERIALS	Louvers in ASA. Fractal shape of impure geometry.
EMISSION	Direct
LIGHT SOURCE	LED 49.8W 2700K >90CRI or 49.8W 3000K >90CRI
DIMMING FEATURE	Driver is compatible to both 2-wire dimming and 0-10V dimming options
DELIVERED LUMENS	2884lm
FINISH	○ White
CERTIFICATIONS	c.UL.us listed, IP20



UNITED STATES HEADQUARTERS

Artemide Inc.

250 Karin Lane

Hicksville, NY 11801

T. 631-694-9292

Toll Free 1-877-Art-9111

email: infousa@artemide.net

CANADIAN HEAD OFFICE

Artemide Canada Ltd.

11105, rue Renaude Lapointe

Montréal, QC H1J 2T4

T. 514-323-6537

Toll Free 1-888-777-2783

email: infocanada@artemide.net

Artemide[®]

For retail sales contact information, please visit

www.artemide.net/store-locator

For contract sales contact information, please visit

www.artemide.net/sales-representative