

Pablo®

BOLA

HALO

120/240V ASSEMBLY & INSTALLATION INSTRUCTIONS

TABLE OF CONTENTS

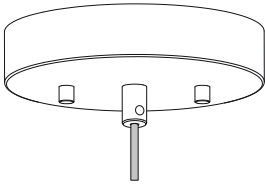
pg. 1 - 5 BOLA HALO PENDANT
pg. 7 - 20 BOLA HALO MULTILIGHT

Pablo®

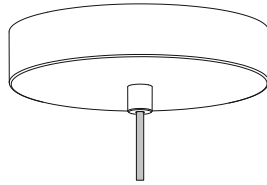
BOLA

HALO PENDANT

120/240V ASSEMBLY & INSTALLATION INSTRUCTIONS



CANOPY TYPE A



CANOPY TYPE B

INFO@PABLODESIGNS.COM
888 MARIN STREET
SAN FRANCISCO, CA
94124

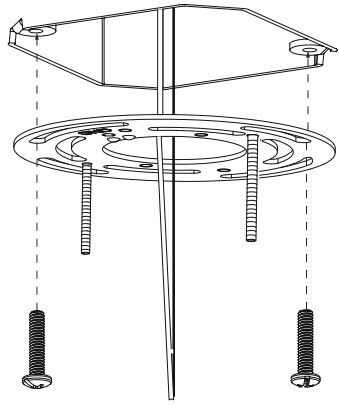
PABLODESIGNS.COM



BOLA CANOPY

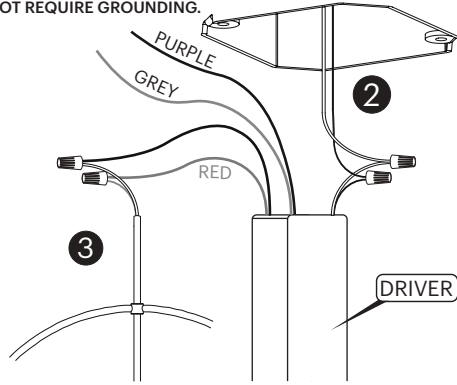
1. ATTACH MOUNTING PLATE TO JUNCTION BOX OR CEILING
2. WIRE TRANSFORMER TO BUILDING
(US: BLACK TO BLACK AND WHITE TO WHITE)
(EU: BLUE TO BLUE AND BROWN TO BROWN/RED)
IMPORTANT! WIRE, CORD, AND STEM SHOULD BE PASSED THROUGH RING BEFORE WIRING.
3. CUT CORD TO DESIRED LENGTH AND PASS THROUGH CANOPY. WIRE TRANSFORMER TO LAMP

- (US: BLUE TO BRAIDED AND RED TO RED)
(EU: BLACK TO BRAIDED AND RED TO RED)
NOTE: PURPLE AND GREY CORDS ARE USED ONLY WITH 0-10 V DIMMER SWITCH.
4. TIGHTEN SET SCREWS ON CORD RELIEF
 5. BRING CANOPY UP TO MOUNTING PLATE WITH BOLTS PASSING THROUGH THE HOLES

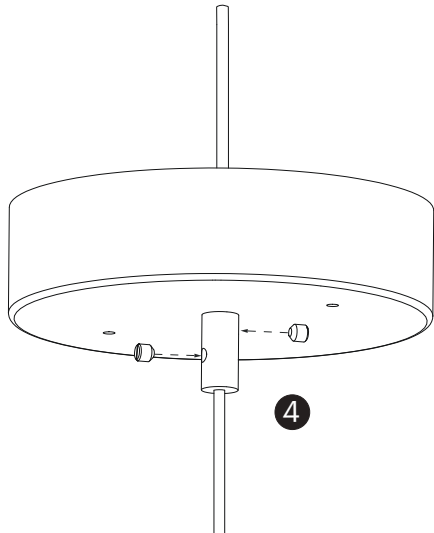


1

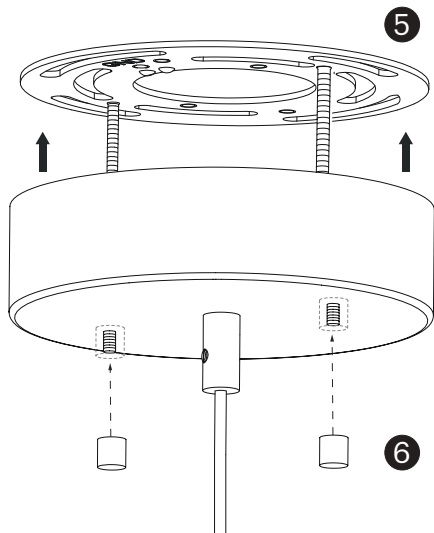
BOLA IS A CLASS II FIXTURE. IT DOES NOT REQUIRE GROUNDING.



WIRE, CORD, AND STEM SHOULD BE PASSED THROUGH RING BEFORE WIRING.



4



5

6

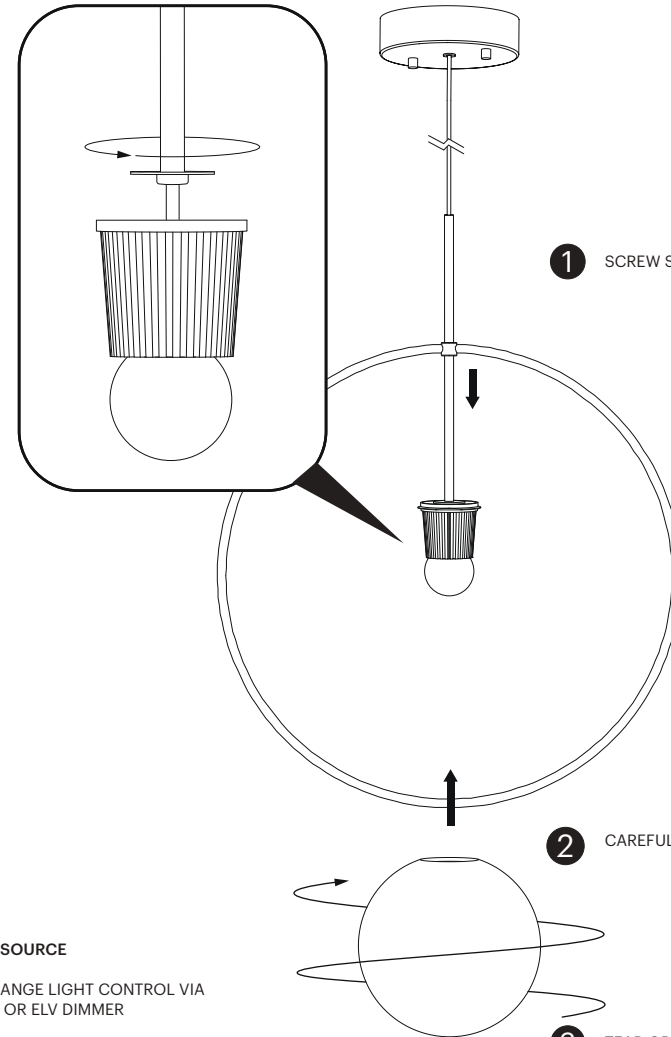
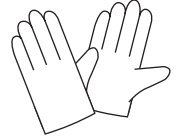
LENGTH OF CORD SUPPLIED
8.9FT (270 CM)

IMPORTANT: WE RECOMMEND CEILING MOUNTING BE INSTALLED BY AN ELECTRICIAN

BOLA HALO

NOTE: RING COMES WRAPPED IN PROTECTIVE SLEEVE. LEAVE SLEEVE ATTACHED UNTIL LAMP IS FULLY ASSEMBLED

USE PROVIDED GLOVES WHEN HANDLING LAMP TO AVOID FINGER MARKS.



1

SCREW STEM ONTO STATIONARY HEAT SINK

2

CAREFULLY SCREW GLOBE TO HEAT SINK.

3

TEAR OR CUT PROTECTIVE SLEEVE OFF OF RING.

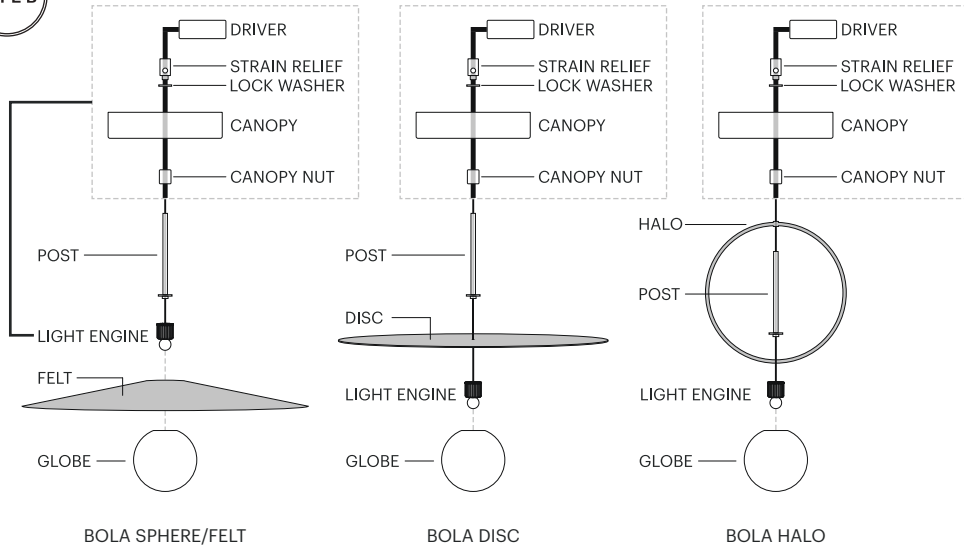
LIGHT SOURCE
LED
FULL RANGE LIGHT CONTROL VIA
0 - 10v OR ELV DIMMER

LIGHT SOURCE REPLACEMENT
CONTACT MANUFACTURER FOR
REPLACEMENT

LENGTH OF CORD SUPPLIED
8.9FT (270CM)

CARE:
WIPE WITH A DRY CLEAN CLOTH.

CORD PATH DIAGRAM

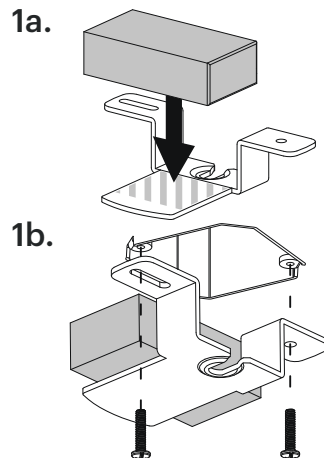
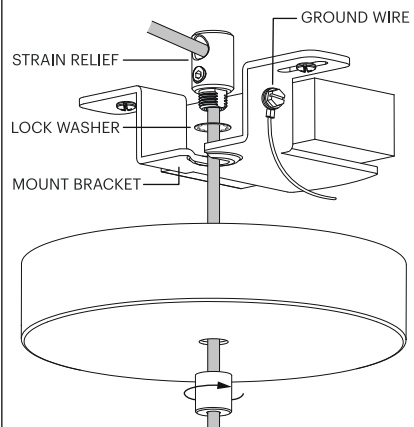


1. **a** SECURE DRIVER TO MOUNT BRACKET WITH PROVIDED TAPE. **b** SECURE MOUNT BRACKET TO JUNCTION BOX OR CEILING USING APPROPRIATE ANCHOR METHODS.

IMPORTANT! BE SURE TO REFERENCE CORD PATH DIAGRAM BEFORE MOVING ON.

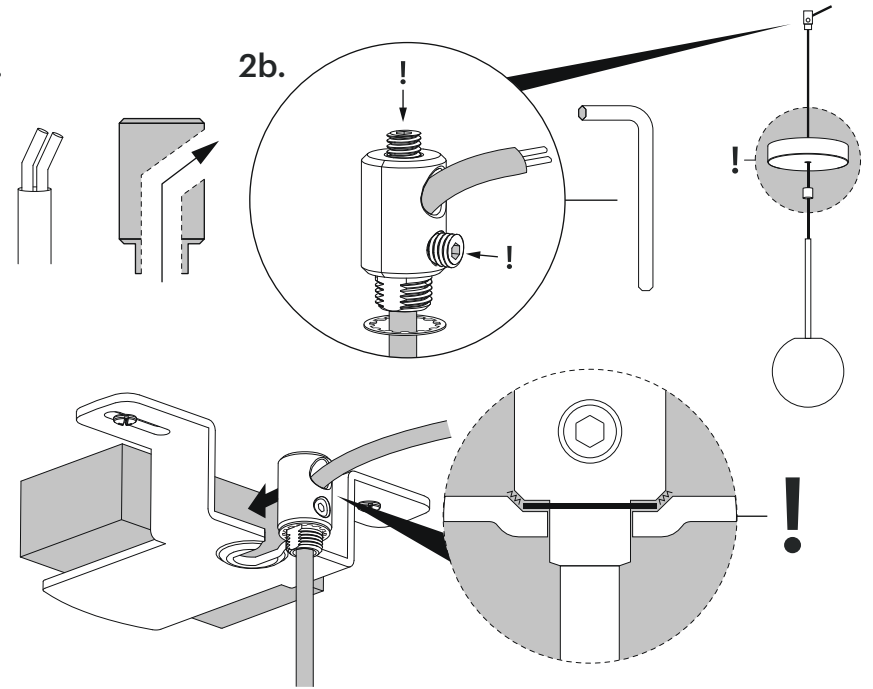
2. BE SURE TO WEAVE CORD THROUGH ALL NECESSARY PARTS LISTED ABOVE BASED ON LAMP MODEL.
 - a** BEND WIRE ENDS BEFORE PASSING THROUGH STRAIN RELIEF. **b** PASS CORD THROUGH STRAIN RELIEF AND SET LAMP HEIGHT BY FASTENING BOTH (TOP AND SIDE) SET SCREWS. (IF NECESSARY: TRIM EXCESS CORD)
3. PLACE FASTENED STRAIN RELIEF ONTO MOUNTING BRACKET WITH LOCK WASHER PLACED BETWEEN BRACKET AND STRAIN RELIEF. (**NOTE! STRAIN RELIEF SHOULD NEST INTO RECESS IN BRACKET SURFACE**)
4. WIRE DRIVER TO BUILDING (US : BLACK TO BLACK/WHITE TO WHITE) (EU: BLACK TO BROWN/WHITE TO BLUE)
 - NOTE: PURPLE AND GREY WIRES ARE USED ONLY IN 0-10V INSTALLATIONS.**
5. WIRE DRIVER TO LAMP (RED TO RED/BLUE TO BLACK)
6. SECURE CANOPY COVER TO BRACKET ASSEMBLY WITH CANOPY NUT. TIGHTEN UNTIL FIRMLY IN PLACE.

CANOPY ASSEMBLY DETAIL VIEW



2a.

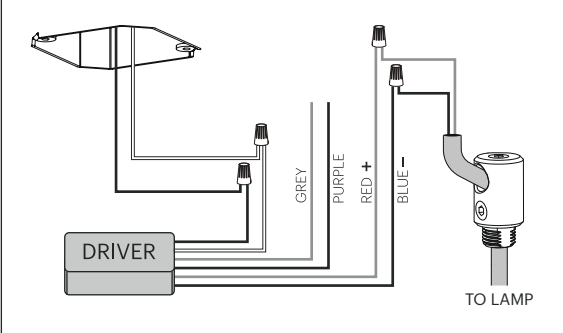
2b.



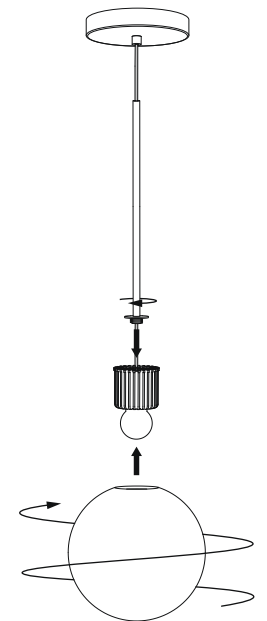
3.

4-5.

WIRING DIAGRAM

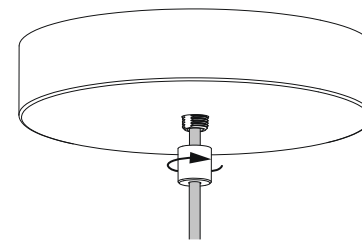


BOLA SPHERE PENDANT ASSEMBLY



GLOBE THREADS ONTO LIGHT ENGINE

6.



Pablo®

LIGHT SOURCE

LED
FULL RANGE LIGHT CONTROL VIA
0 - 10v OR ELV DIMMER

LIGHT SOURCE REPLACEMENT

CONTACT MANUFACTURER FOR REPLACEMENT

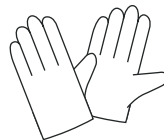
LENGTH OF CORD SUPPLIED

8.9FT (270CM)

CARE

WIPE WITH A CLEAN, DAMP CLOTH, AVOID
AMMONIA-BASED CLEANERS.

**IMPORTANT: WE RECOMMEND CEILING MOUNTING
BE INSTALLED BY AN ELECTRICIAN**



**USE PROVIDED GLOVES WHEN HANDLING LAMP
TO AVOID FINGER MARKS.**

Pablo®

MULTI-LIGHT CANOPY

9" and 12"

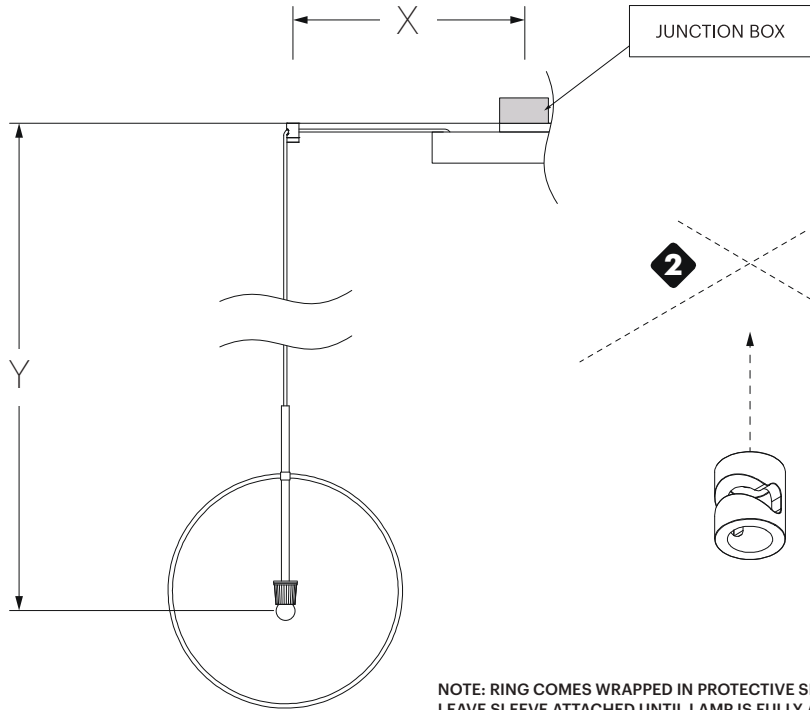
BOLA HALO PENDANT

ASSEMBLY & INSTALLATION INSTRUCTIONS



MULTI-LIGHT CANOPY

- 1** LOCATE BUILDING POWER FEED/JUNCTION BOX
 DETERMINE AND MARK SWAG LOCATIONS REFERENCING THE DIAGRAM AND PROVIDED CHART.
 PROVIDED LAMP WIRES ARE 8.9', LAMP HANG HEIGHT REDUCES IN RELATION TO SWAG DISTANCE FROM CANOPY.

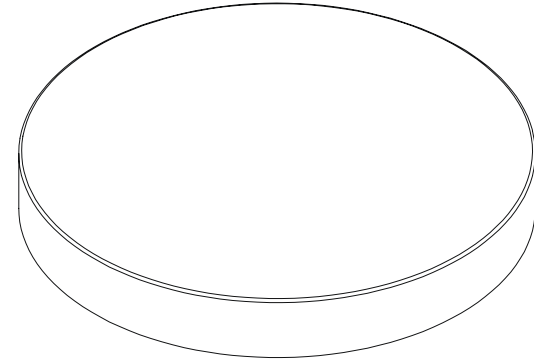


NOTE: RING COMES WRAPPED IN PROTECTIVE SLEEVE.
 LEAVE SLEEVE ATTACHED UNTIL LAMP IS FULLY ASSEMBLED

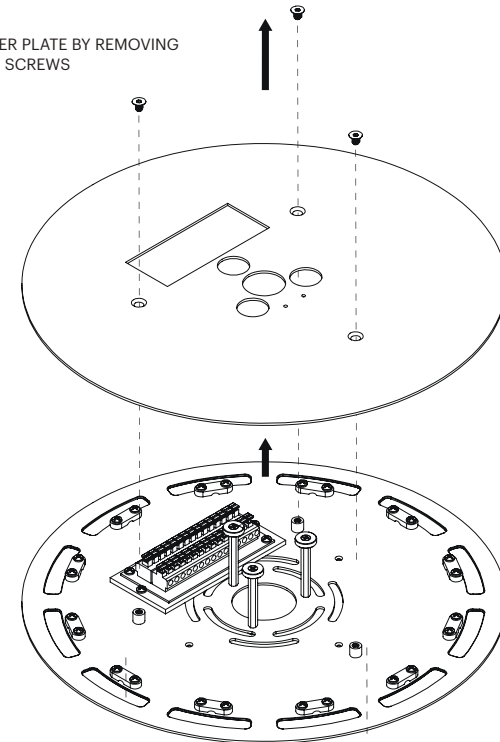
| DISTANCE BETWEEN SWAGS CENTER TO CENTER (A) | | BOLA HALO 12 | BOLA HALO 18 | BOLA HALO 22 |
|---|-----------------|-----------------|-----------------|--------------|
| BOLA HALO 12 | 7" 17.8 CM | 7.5" 19.1 CM | 8.5" 21.6 CM | |
| BOLA HALO 18 | 7.5" 19.1 CM | 8" 20.3 CM | 9" 22.9 CM | |
| BOLA HALO 22 | 8.5" 21.6 CM | 9" 22.9 CM | 10" 22.4 CM | |

MULTI-LIGHT CANOPY

- 3** REMOVE CANOPY COVER, SET ASIDE

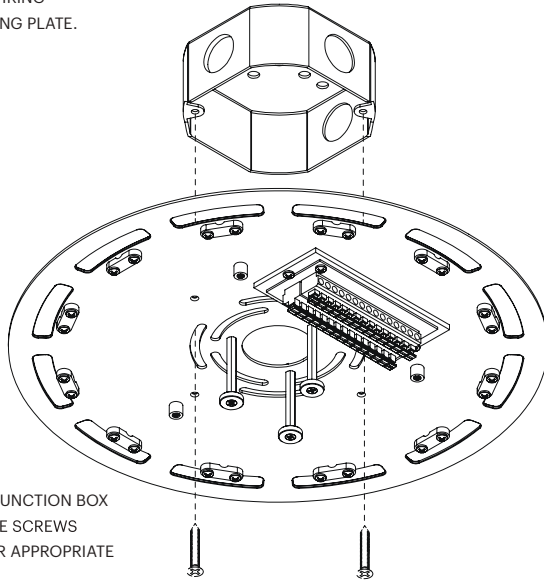


- 4** REMOVE DRIVER PLATE BY REMOVING
 3X FLAT HEAD SCREWS



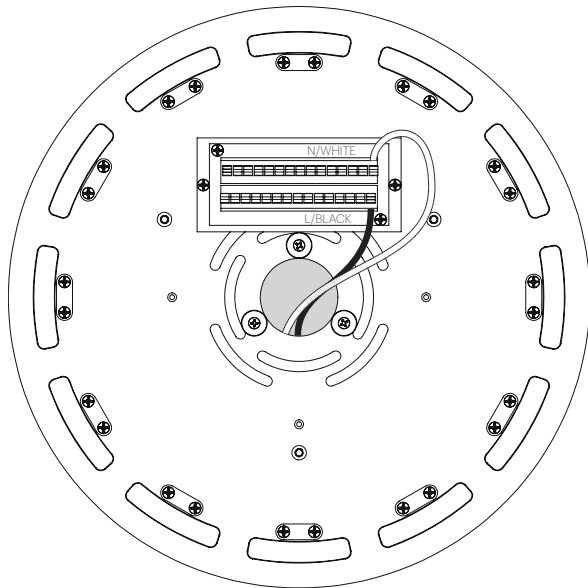
Pablo® MULTI-LIGHT CANOPY

5 ROUTE BUILDING WIRING THROUGH MOUNTING PLATE.



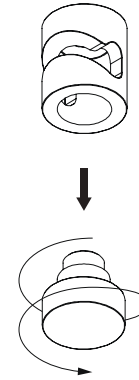
6 ATTACH PLATE TO JUNCTION BOX WITH 8-32 MACHINE SCREWS (NOT PROVIDED) OR APPROPRIATE ANCHORS.

7 WIRE BUILDING WIRING TO TERMINAL BLOCK. US: BLACK TO BLACK AND WHITE TO WHITE EU: BLUE TO WHITE AND BROWN TO BLACK.

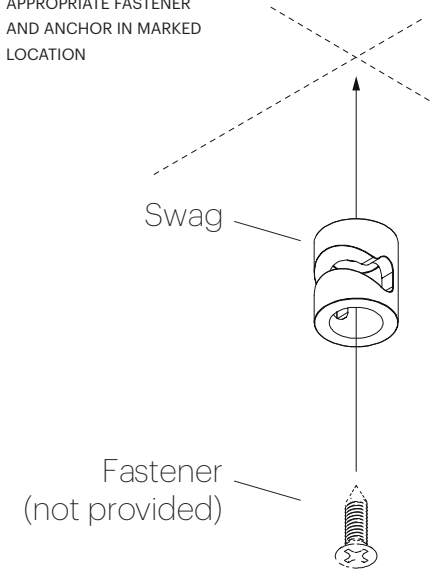


Pablo® MULTI-LIGHT CANOPY

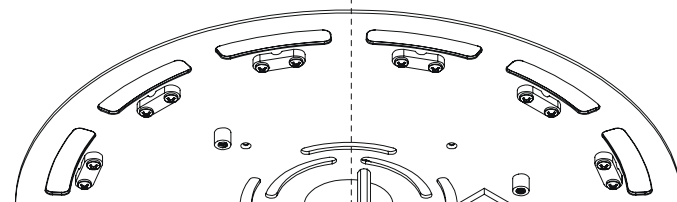
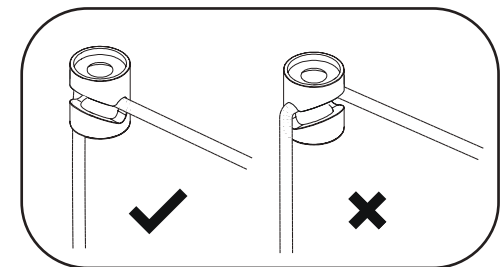
8 REMOVE THREADED SWAG CAP



9 MOUNT SWAG USING APPROPRIATE FASTENER AND ANCHOR IN MARKED LOCATION

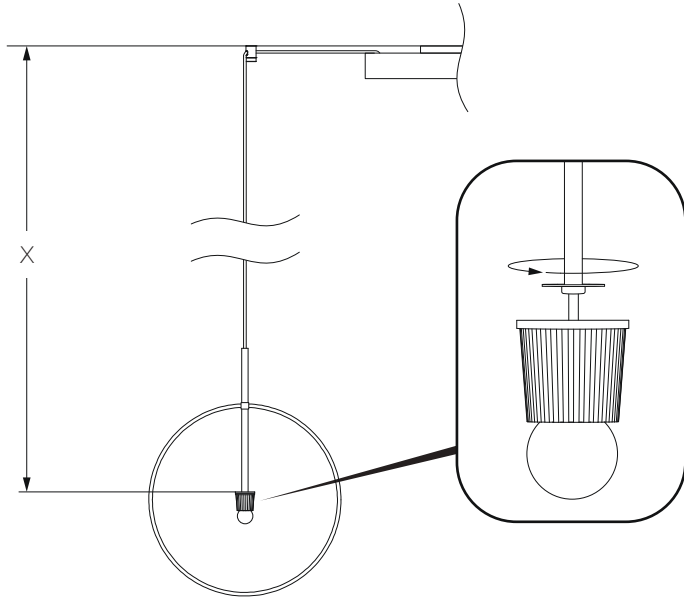


NOTE: Cable slot should face canopy center point.



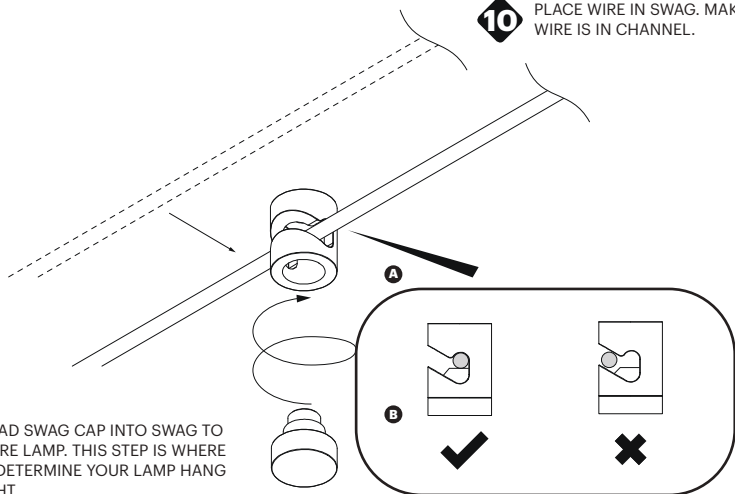
MULTI-LIGHT CANOPY

NOTE: RING WRAPPED IN PROTECTIVE SLEEVE.
LEAVE SLEEVE ATTACHED UNTIL LAMP IS FULLY ASSEMBLED



USE PROVIDED GLOVES WHEN HANDLING LAMP
TO AVOID FINGER MARKS.

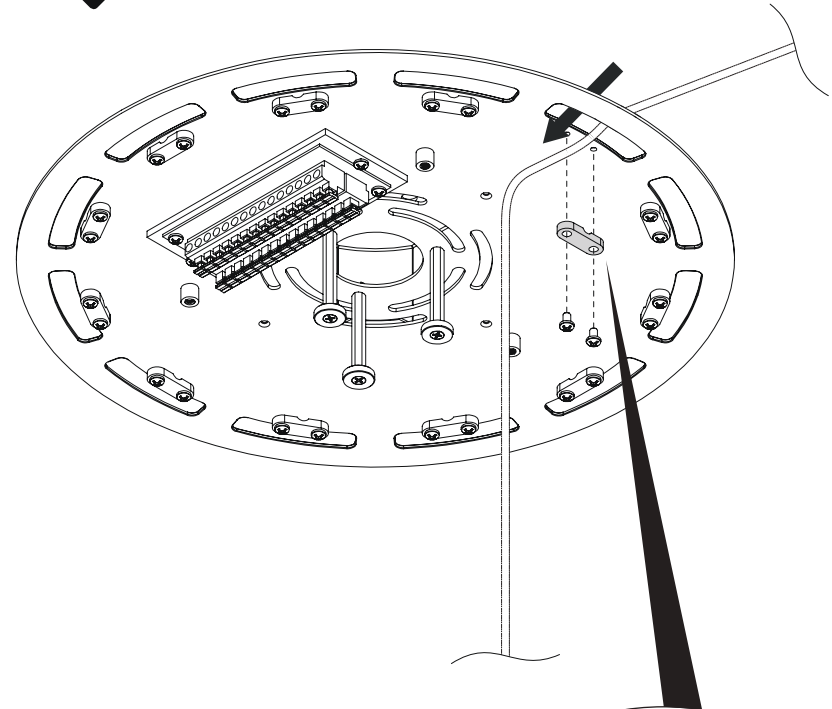
10 PLACE WIRE IN SWAG. MAKE SURE
WIRE IS IN CHANNEL.



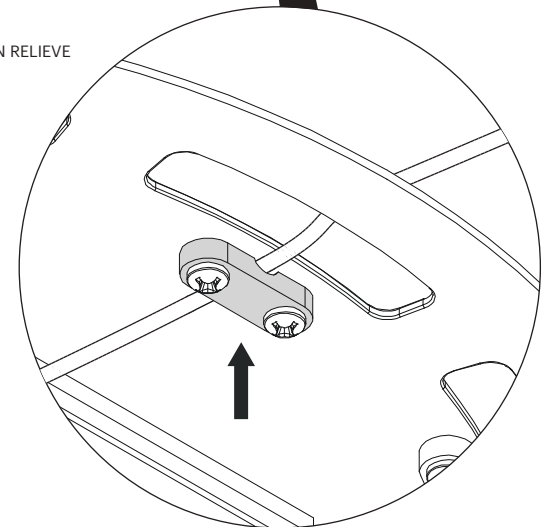
11 THREAD SWAG CAP INTO SWAG TO
SECURE LAMP. THIS STEP IS WHERE
YOU DETERMINE YOUR LAMP HANG
HEIGHT.

MULTI-LIGHT CANOPY

12 THREAD WIRE THROUGH MOUNT PLATE.



13 PULL WIRE THROUGH AND STRAIN RELIEVE

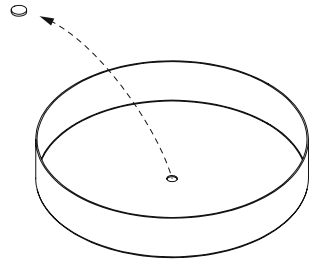


MULTI-LIGHT CANOPY

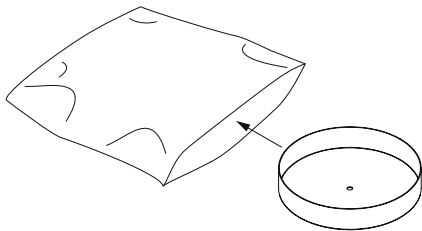
NOTE: STEP 14 APPLIES ONLY TO THE 9" CANOPY ONLY.

14

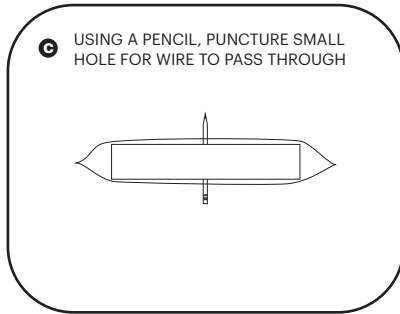
A REMOVE PLUG



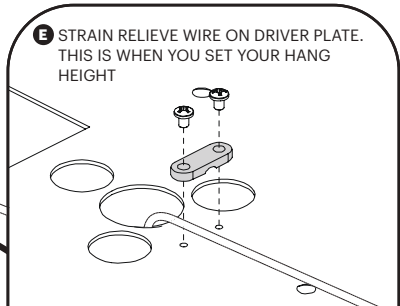
B PLACE CANOPY COVER BAG OVER CANOPY



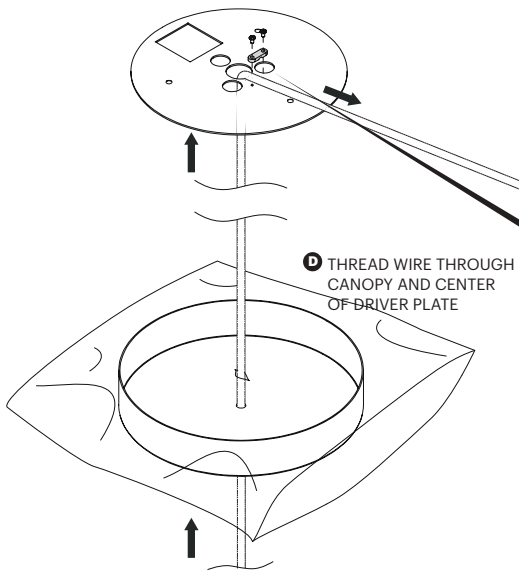
C USING A PENCIL, PUNCTURE SMALL HOLE FOR WIRE TO PASS THROUGH



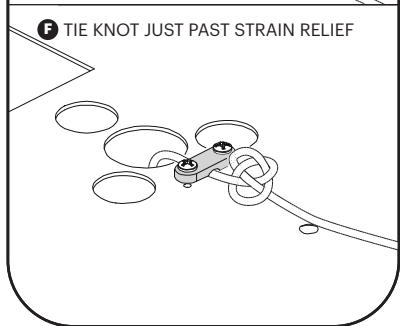
E STRAIN RELIEVE WIRE ON DRIVER PLATE. THIS IS WHEN YOU SET YOUR HANG HEIGHT



D THREAD WIRE THROUGH CANOPY AND CENTER OF DRIVER PLATE



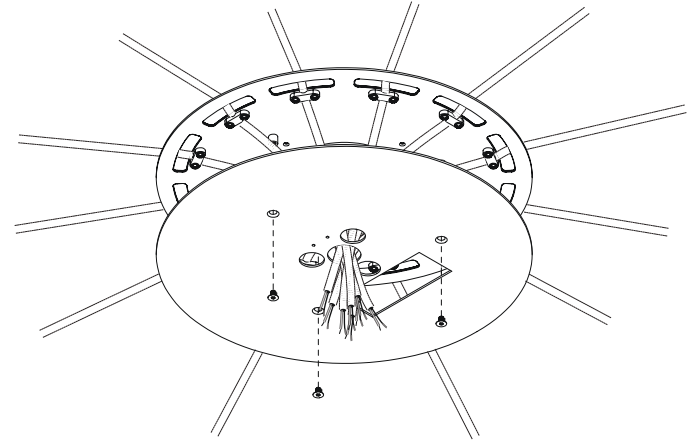
F TIE KNOT JUST PAST STRAIN RELIEF



MULTI-LIGHT CANOPY

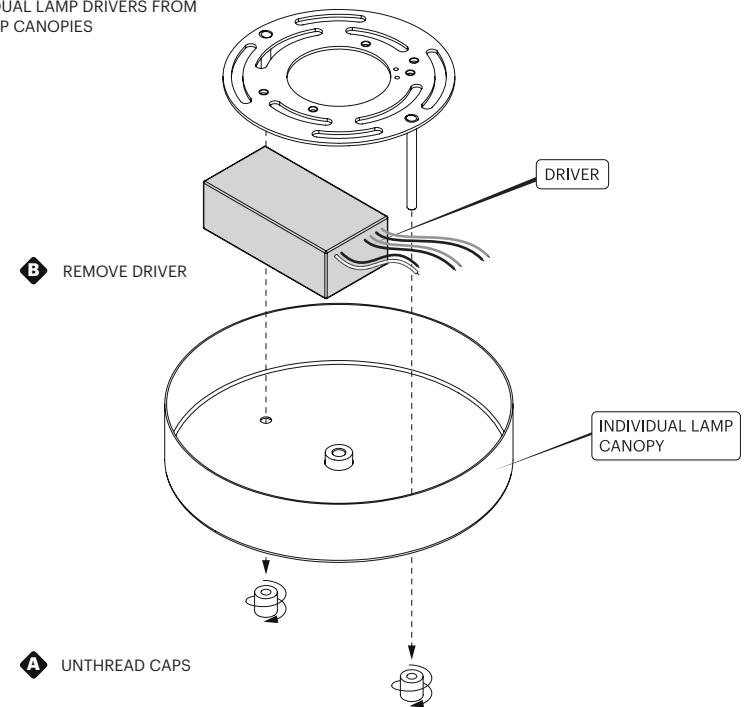
15

ATTACH DRIVER PLATE TO MOUNT PLATE WITH PROVIDED FLAT HEAD SCREWS
THREAD WIRES THROUGH CENTER OF DRIVER PLATE

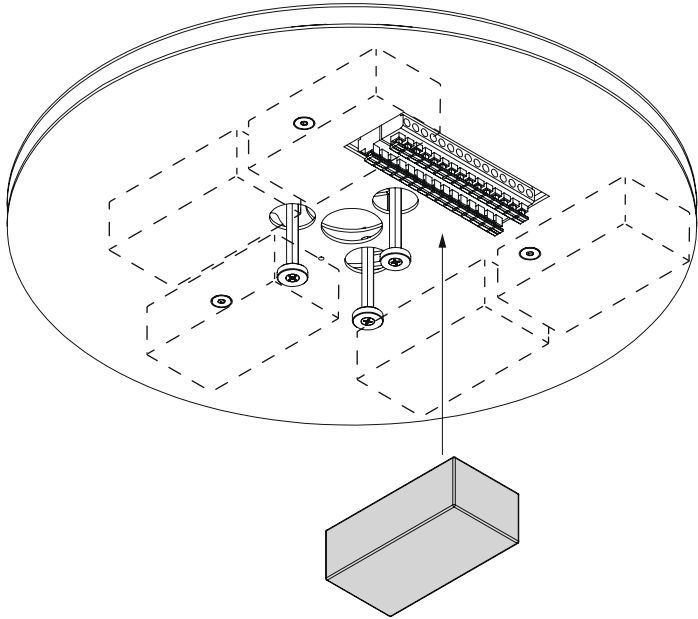


16

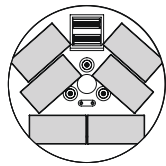
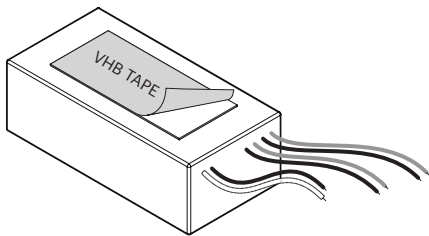
REMOVE INDIVIDUAL LAMP DRIVERS FROM INDIVIDUAL LAMP CANOPIES



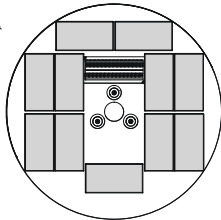
MULTI-LIGHT CANOPY



16 PEEL LINER OFF OF VHB TAPE AND ATTACH DRIVERS TO DRIVER PLATE



9" CANOPY
MAXIMUM
CAPACITY

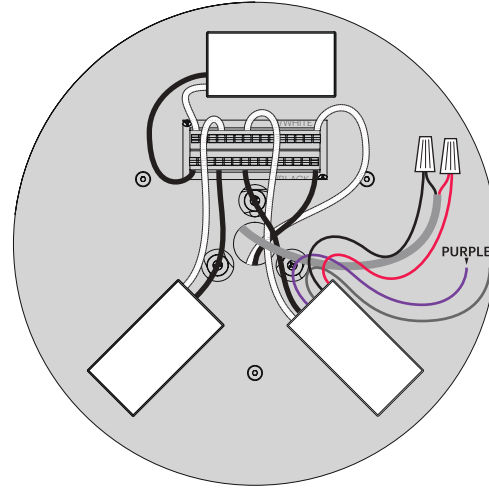
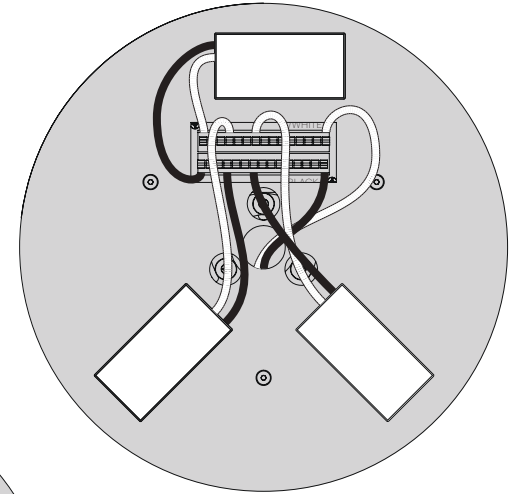


12" CANOPY
MAXIMUM
CAPACITY

MULTI-LIGHT CANOPY

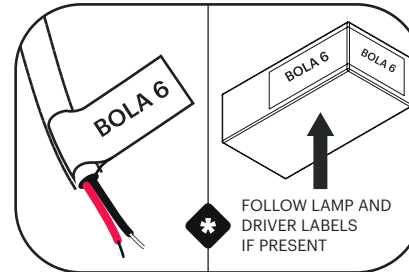
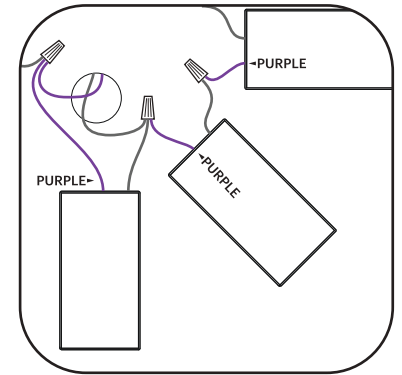
17

CONNECT DRIVERS TO TERMINAL BLOCK.
US: BLACK TO BLACK AND WHITE TO WHITE
EU: BROWN TO BROWN AND BLUE TO BLUE



18

ONE AT A TIME, WIRE LAMPS TO MATCHING DRIVERS. CUT EXCESS WIRES IF NECESSARY



***** FOLLOW LAMP AND DRIVER LABELS IF PRESENT

!

IF USING 0 - 10V DIMMING WIRE DIMMER IN PARALLEL

Pablo®

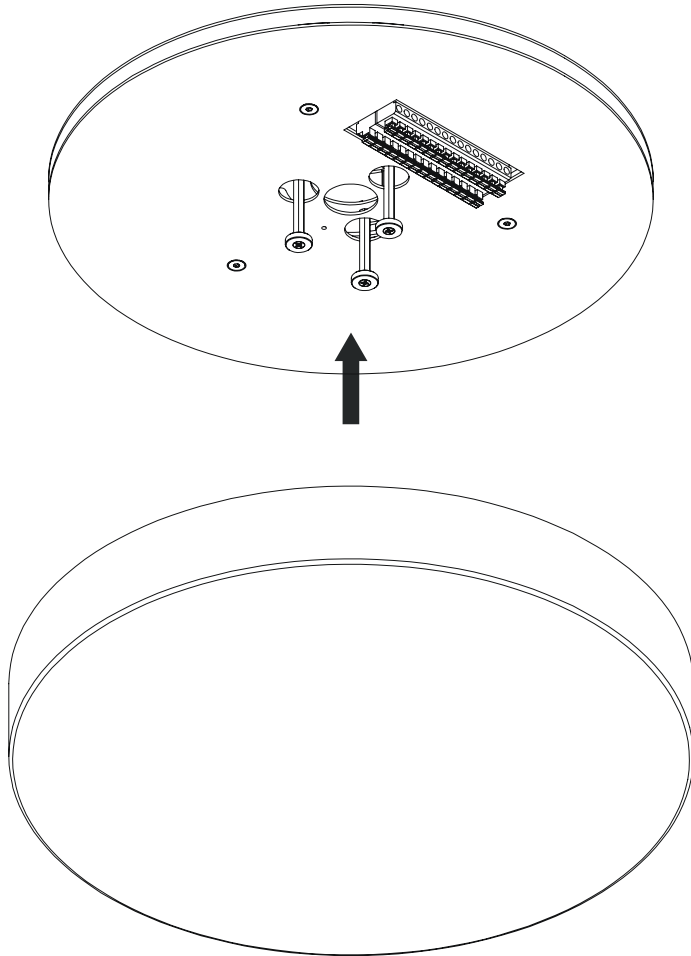
MULTI-LIGHT CANOPY

19

ATTACH CANOPY COVER

CARE INSTRUCTIONS

WIPE CLEAN WITH A SOFT DAMP CLOTH
AVOID AMMONIA BASED CLEANER.



USE PROVIDED GLOVES WHEN HANDLING LAMP
TO AVOID FINGER MARKS.

Pablo®

MULTI-LIGHT CANOPY



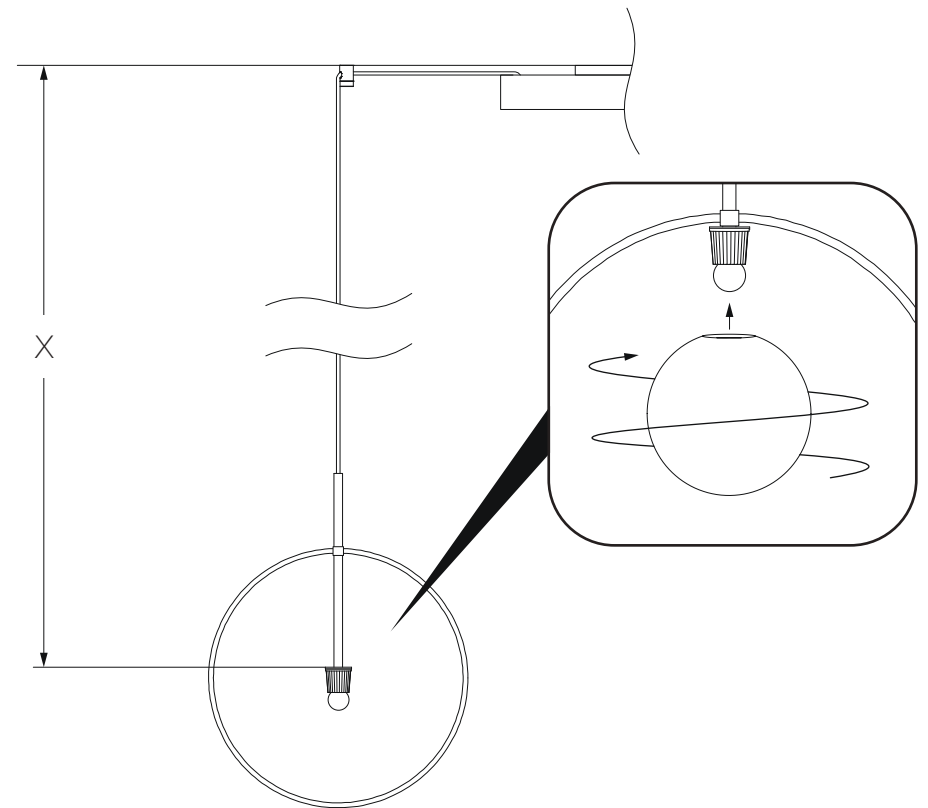
USE PROVIDED GLOVES WHEN HANDLING LAMP
TO AVOID FINGER MARKS.

20

THREAD GLOBE ONTO HEAT SINK AND REMOVE PROTECTIVE SLEEVE FROM RING.

CARE INSTRUCTIONS

WIPE CLEAN WITH A SOFT DAMP CLOTH
AVOID AMMONIA BASED CLEANER.



Pablo

INFO@PABLODESIGNS.COM
INFO@PABLODESIGNS.EU

888 MARIN STREET
SAN FRANCISCO, CA
94124

PABLODESIGNS.COM
PABLODESIGNS.EU