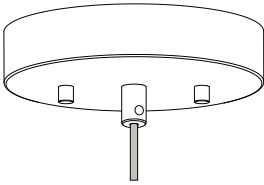


Pablo®

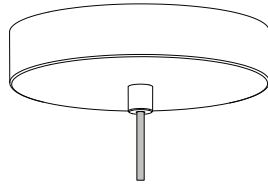
BOLA

FELT PENDANT

120/240V ASSEMBLY & INSTALLATION INSTRUCTIONS



CANOPY TYPE A



CANOPY TYPE B

INFO@PABLODESIGNS.COM
888 MARIN STREET
SAN FRANCISCO, CA
94124

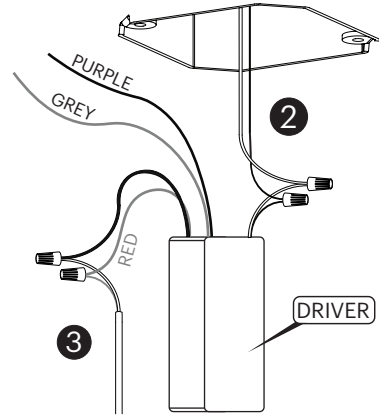
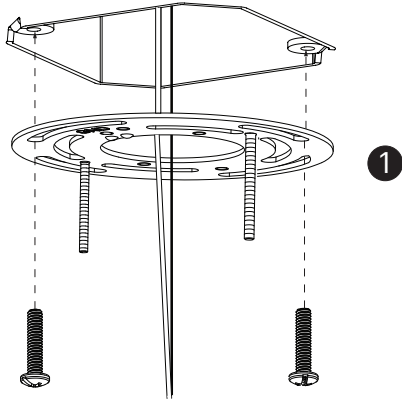
PABLODESIGNS.COM



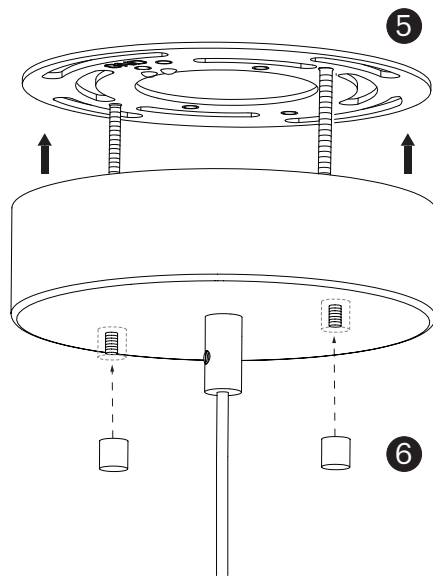
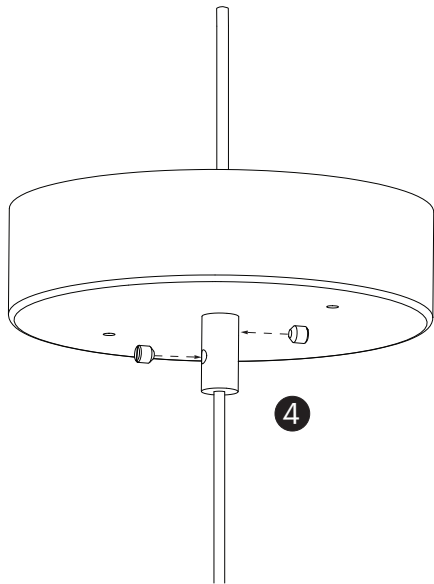
BOLA CANOPY

1. ATTACH MOUNTING PLATE TO JUNCTION BOX OR CEILING
2. WIRE TRANSFORMER TO BUILDING
(US: BLACK TO BLACK AND WHITE TO WHITE)
(EU: BLUE TO BLUE AND BROWN TO BROWN)
3. PASS THROUGH CANOPY AND CUT CORD TO DESIRED LENGTH. WIRE TRANSFORMER TO LAMP
(US: BLUE TO BRAIDED AND RED TO RED)

- (EU: BLACK TO BRAIDED AND RED TO RED)
NOTE: PURPLE AND GREY CORDS ARE USED ONLY WITH 0-10 V DIMMER SWITCH.
4. TIGHTEN SET SCREWS ON CORD RELIEF
 5. BRING CANOPY UP TO MOUNTING PLATE WITH BOLTS PASSING THROUGH THE HOLES
 6. SCREW BOTH CAPS DOWN, SECURING THE CANOPY



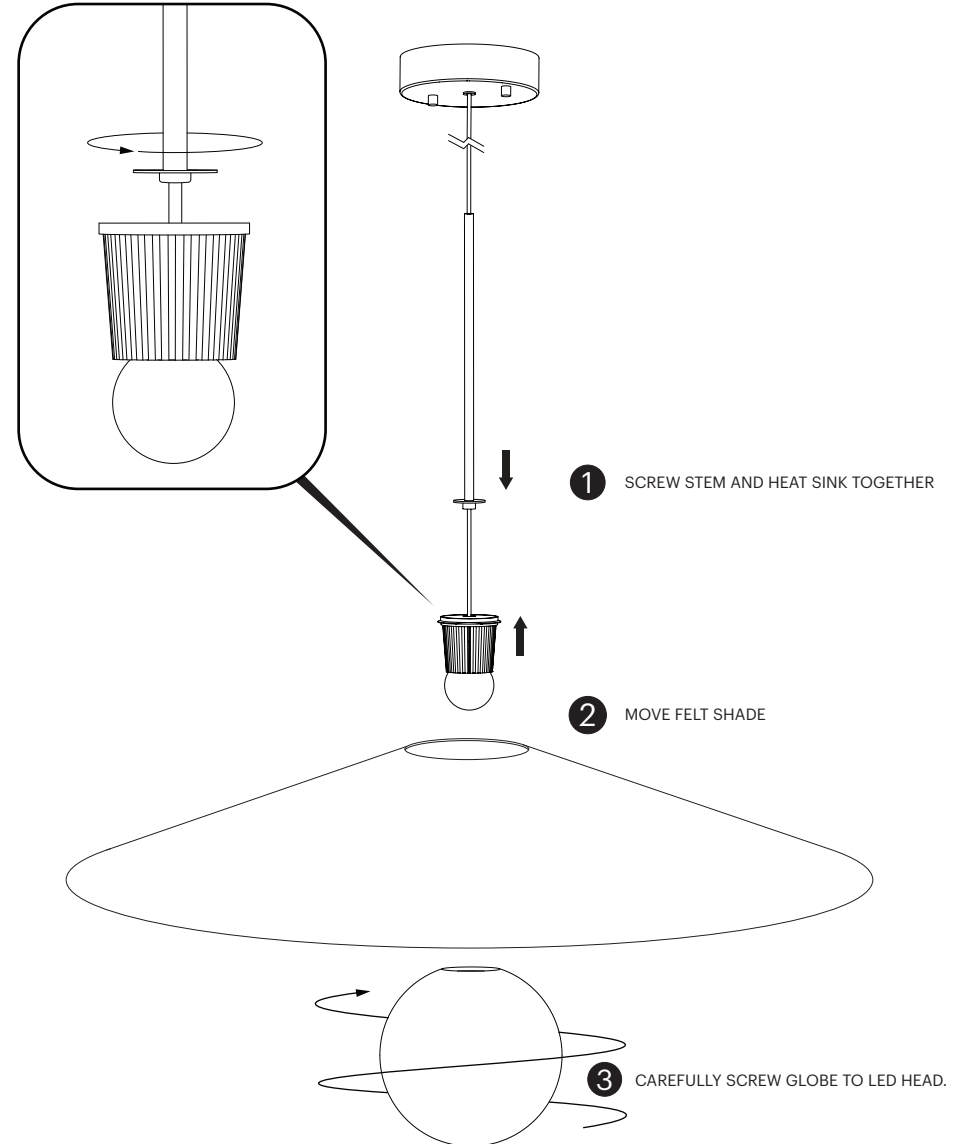
BOLA IS A CLASS II FIXTURE. IT DOES NOT REQUIRE GROUNDING.



IMPORTANT: WE RECOMMEND CEILING MOUNTING BE INSTALLED BY AN ELECTRICIAN

LENGTH OF CORD SUPPLIED
8.9FT (270 CM)

BOLA FELT

**CARE INSTRUCTIONS**

LIGHT - WIPE WITH A DRY CLEAN CLOTH.

SHADE - TO REMOVE DUST AND SMALL DEBRIS: CLEAN WITH A SOFT HAIR BRUSH OR USE A VACUUM. TO REMOVE OTHER SUBSTANCES: USE A DAMP CLOTH AND IF NEEDED A MILD DETERGENT.

AVOID AMMONIA-BASED CLEANERS.

Pablo®

LIGHT SOURCE

LED
FULL RANGE LIGHT CONTROL VIA
0 - 10v OR ELV DIMMER

LIGHT SOURCE REPLACEMENT

CONTACT MANUFACTURER FOR REPLACEMENT

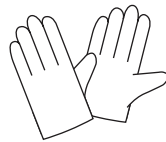
LENGTH OF CORD SUPPLIED

8.9FT (270CM)

CARE

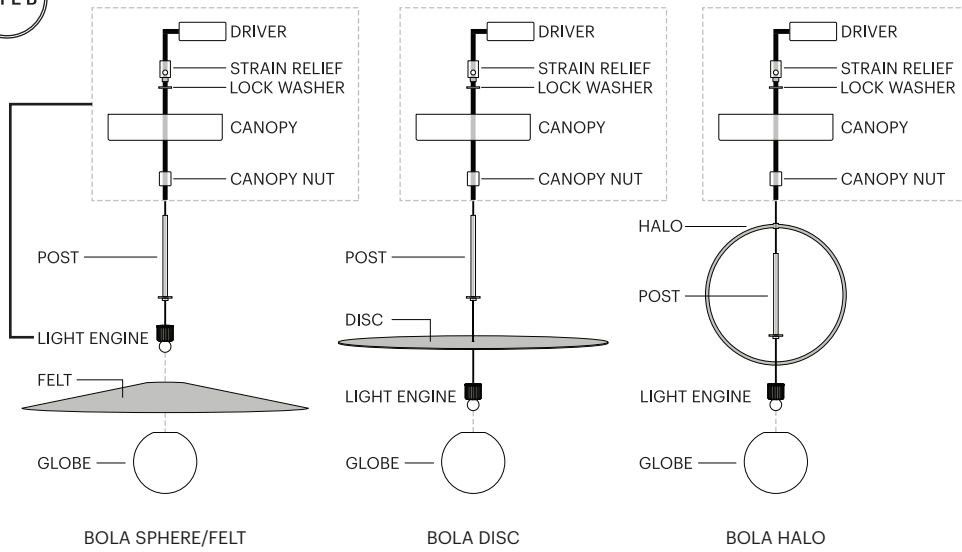
WIPE WITH A CLEAN, DAMP CLOTH, AVOID
AMMONIA-BASED CLEANERS.

**IMPORTANT: WE RECOMMEND CEILING MOUNTING
BE INSTALLED BY AN ELECTRICIAN**



**USE PROVIDED GLOVES WHEN HANDLING LAMP
TO AVOID FINGER MARKS.**

CORD PATH DIAGRAM

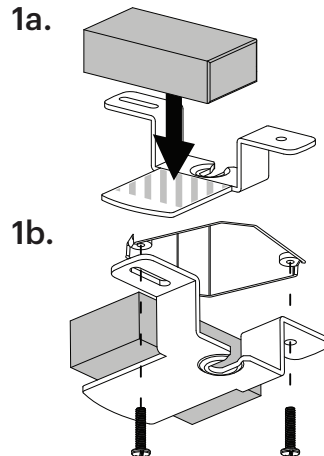
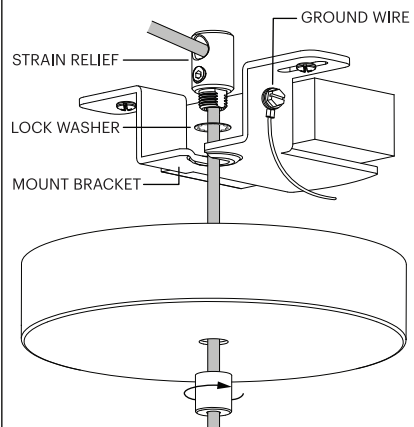


- 1. a** SECURE DRIVER TO MOUNT BRACKET WITH PROVIDED TAPE. **b** SECURE MOUNT BRACKET TO JUNCTION BOX OR CEILING USING APPROPRIATE ANCHOR METHODS.

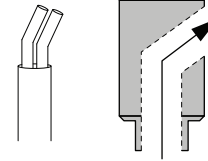
IMPORTANT! BE SURE TO REFERENCE CORD PATH DIAGRAM BEFORE MOVING ON.

- BE SURE TO WEAVE CORD THROUGH ALL NECESSARY PARTS LISTED ABOVE BASED ON LAMP MODEL.
 - BEND WIRE ENDS BEFORE PASSING THROUGH STRAIN RELIEF. **b** PASS CORD THROUGH STRAIN RELIEF AND SET LAMP HEIGHT BY FASTENING BOTH (TOP AND SIDE) SET SCREWS. (IF NECESSARY: TRIM EXCESS CORD)
- PLACE FASTENED STRAIN RELIEF ONTO MOUNTING BRACKET WITH LOCK WASHER PLACED BETWEEN BRACKET AND STRAIN RELIEF. **(NOTE! STRAIN RELIEF SHOULD NEST INTO RECESS IN BRACKET SURFACE)**
- WIRE DRIVER TO BUILDING (US : BLACK TO BLACK/WHITE TO WHITE) (EU: BLACK TO BROWN/WHITE TO BLUE)
NOTE: PURPLE AND GREY WIRES ARE USED ONLY IN 0-10V INSTALLATIONS.
- WIRE DRIVER TO LAMP (RED TO RED/BLUE TO BLACK)
- SECURE CANOPY COVER TO BRACKET ASSEMBLY WITH CANOPY NUT. TIGHTEN UNTIL FIRMLY IN PLACE.

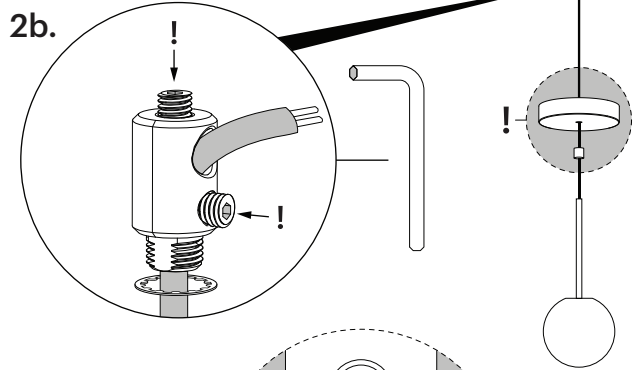
CANOPY ASSEMBLY DETAIL VIEW



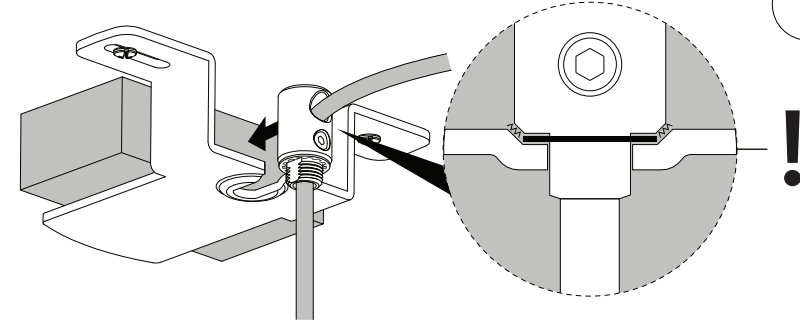
2a.



2b.

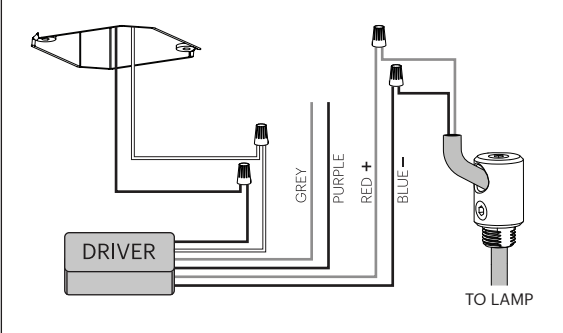


3.

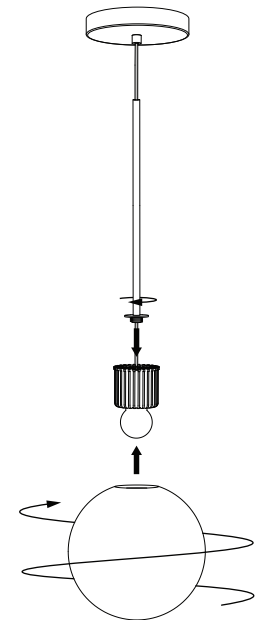


4-5.

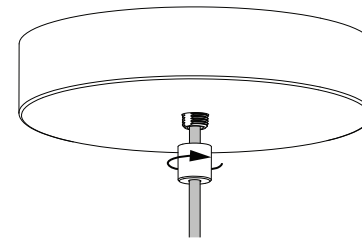
WIRING DIAGRAM



BOLA SPHERE PENDANT ASSEMBLY



6.



GLOBE THREADS ONTO LIGHT ENGINE

Pablo®

LIGHT SOURCE

LED
FULL RANGE LIGHT CONTROL VIA
0 - 10v OR ELV DIMMER

LIGHT SOURCE REPLACEMENT

CONTACT MANUFACTURER FOR REPLACEMENT

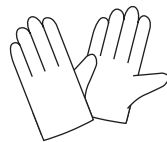
LENGTH OF CORD SUPPLIED

8.9FT (270CM)

CARE

WIPE WITH A CLEAN, DAMP CLOTH, AVOID
AMMONIA-BASED CLEANERS.

**IMPORTANT: WE RECOMMEND CEILING MOUNTING
BE INSTALLED BY AN ELECTRICIAN**



**USE PROVIDED GLOVES WHEN HANDLING LAMP
TO AVOID FINGER MARKS.**