

Pablo®

# CIRCA

## ASSEMBLY & INSTALLATION INSTRUCTIONS

### TABLE OF CONTENTS

pg. 2-5.....	CIRCA TABLE
pg. 6-9.....	CIRCA FLOOR
pg. 10-13.....	CIRCA PEDESTAL
pg. 14-17.....	CIRCA WALL
pg. 18-21.....	CIRCA PENDANT
pg. 22-25.....	CIRCA CHANDELIER
pg. 26-32.....	CIRCA GROMMET

---

Pablo®

# CIRCA TABLE

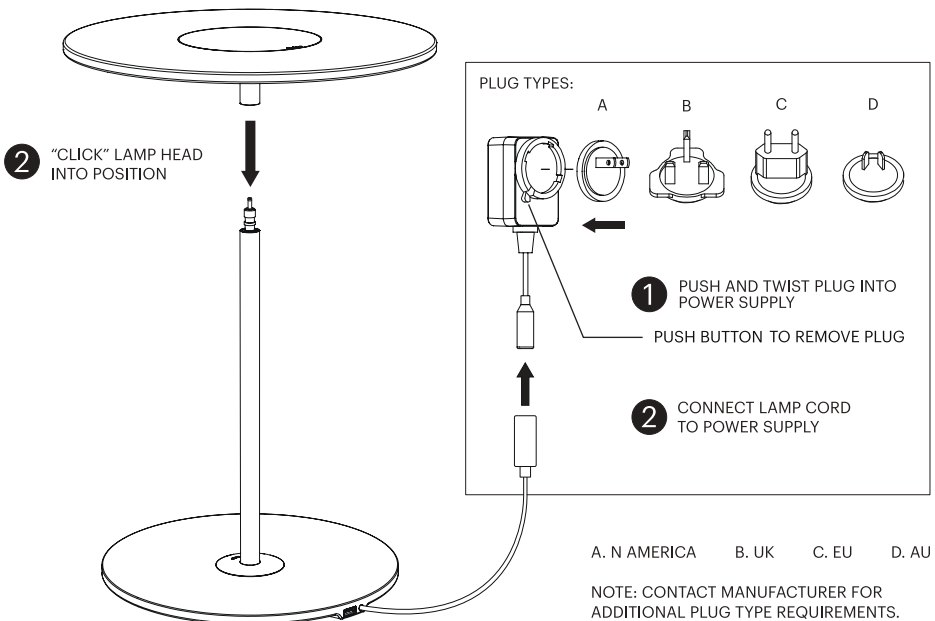
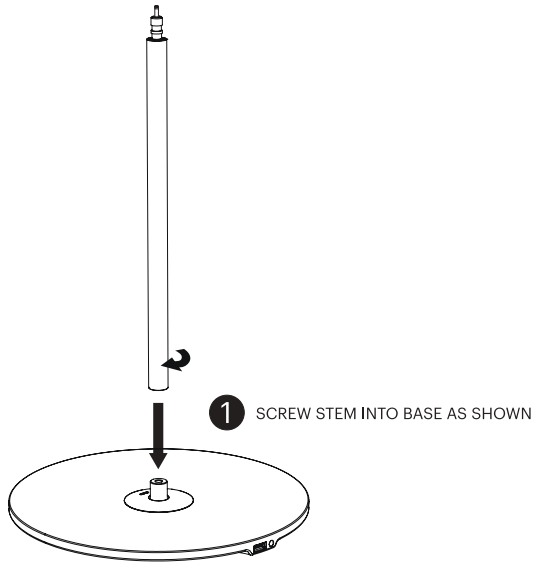
ASSEMBLY & INSTALLATION INSTRUCTIONS



# Pablo®

## CIRCA TABLE

### ASSEMBLY

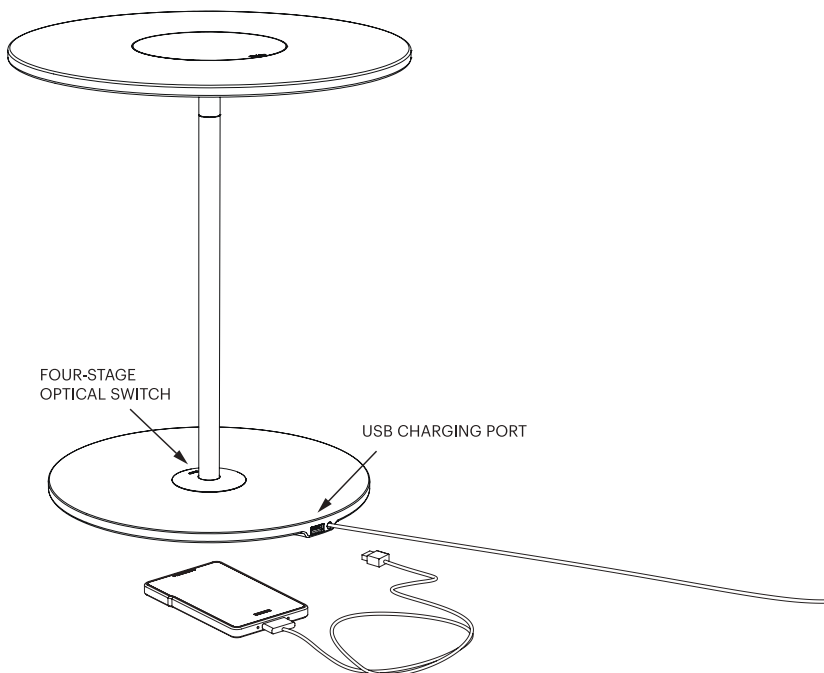


# Pablo®

# CIRCA TABLE

---

## CIRCA TABLE SWITCH AND USB CHARGING



### HIGHLIGHTS

SINGLE 5.0V USB OUTPUT SUPPORTS CHARGING FOR SMARTPHONES, TABLETS AND OTHER MOBILE DEVICES.

### SPECIFICATIONS

USB 2.0 OR 1.1 STANDARD CORD REQUIRED (CORD NOT INCLUDED)  
OUTPUT VOLTAGE: 5VDC + - 5%  
OUTPUT CURRENT: 1A MAX

### NOTE

CIRCA TABLE WILL CONTINUE TO CHARGE YOUR MOBILE DEVICE EVEN WHEN LAMP IS IN THE "OFF" POSITION.

PLEASE REFER TO YOUR MOBILE DEVICE'S USER MANUAL FOR COMPATIBILITY AND CHARGING TIME. PLEASE REFRAIN FROM LEAVING YOUR DEVICE PLUGGED IN FOR LONGER THAN THE RECOMMENDED TIME, OTHERWISE IT MAY RESULT IN OVER CHARGING.

PRESS AND HOLD OPTICAL SWITCH FOR 1.5 SECONDS TO TURN OFF. TAP BRIEFLY TO CYCLE THROUGH FOUR STAGES.

### CARE INSTRUCTIONS

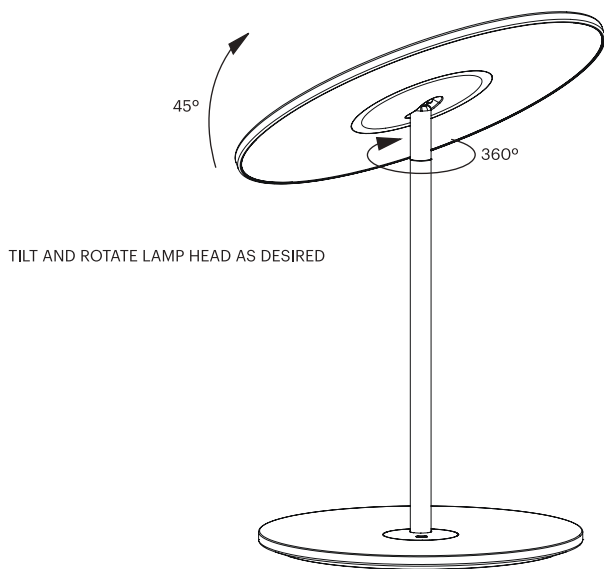
WIPE CLEAN WITH A SOFT DAMP CLOTH. AVOID AMMONIA-BASED CLEANERS.

# Pablo®

# CIRCA TABLE

---

## ADJUSTMENT



INFO@PABLODESIGNS.COM  
888 MARIN STREET  
SAN FRANCISCO, CA  
94124

PABLODESIGNS.COM

Pablo®

# CIRCA FLOOR

## ASSEMBLY & INSTALLATION INSTRUCTIONS

INFO@PABLODESIGNS.COM  
888 MARIN STREET  
SAN FRANCISCO, CA  
94124

PABLODESIGNS.COM



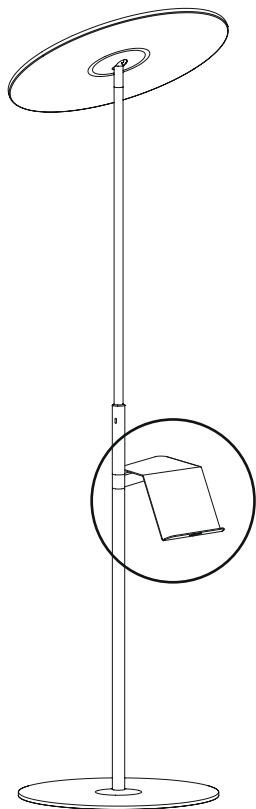
# Pablo®

## CIRCA FLOOR

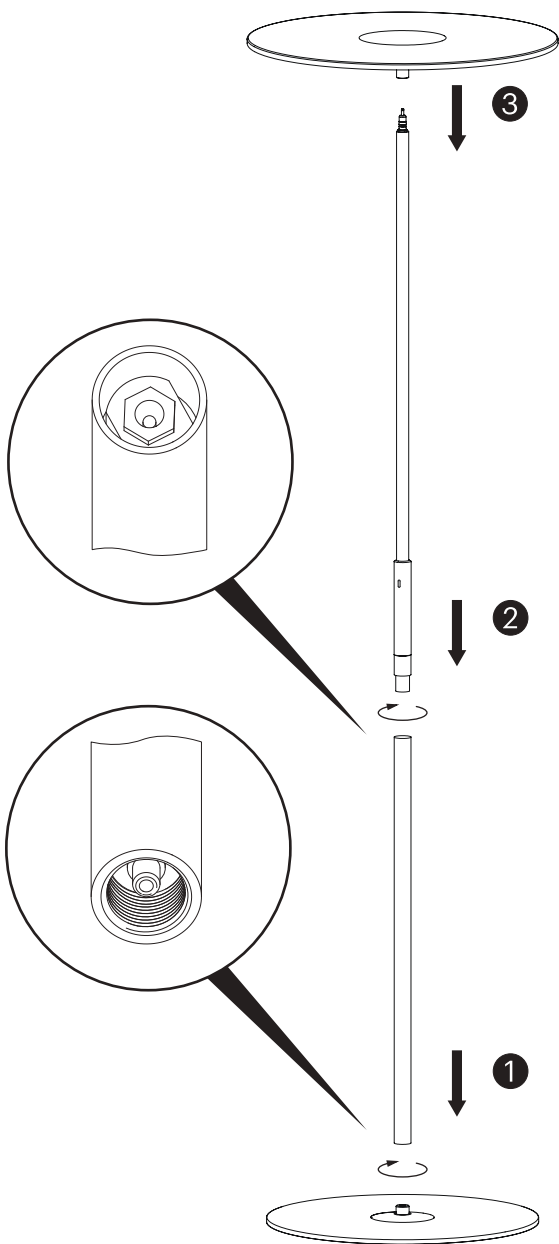
### ASSEMBLY

1. SCREW LOWER STEM INTO BASE AS SHOWN
2. SCREW UPPER STEM INTO LOWER STEM AS SHOWN
3. "CLICK" LAMP HEAD INTO POSITION

### OPTIONAL ACCESSORY



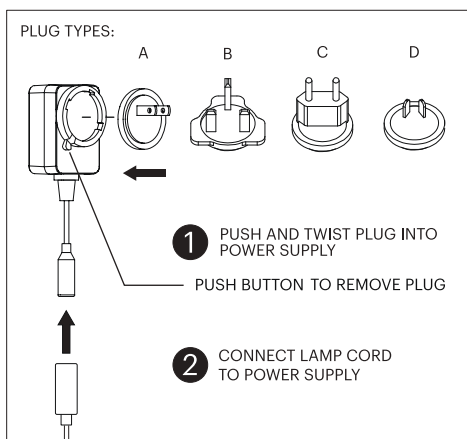
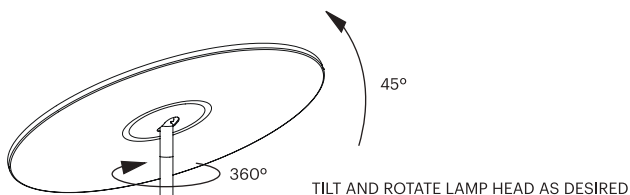
PEDESTAL FOR MOBILE DEVICES  
SOLD SEPARATELY (SEE PEDESTAL  
ASSEMBLY INSTRUCTIONS)



# Pablo®

# CIRCA FLOOR

## ADJUSTMENT



A. N AMERICA B. UK C. EU D. AU

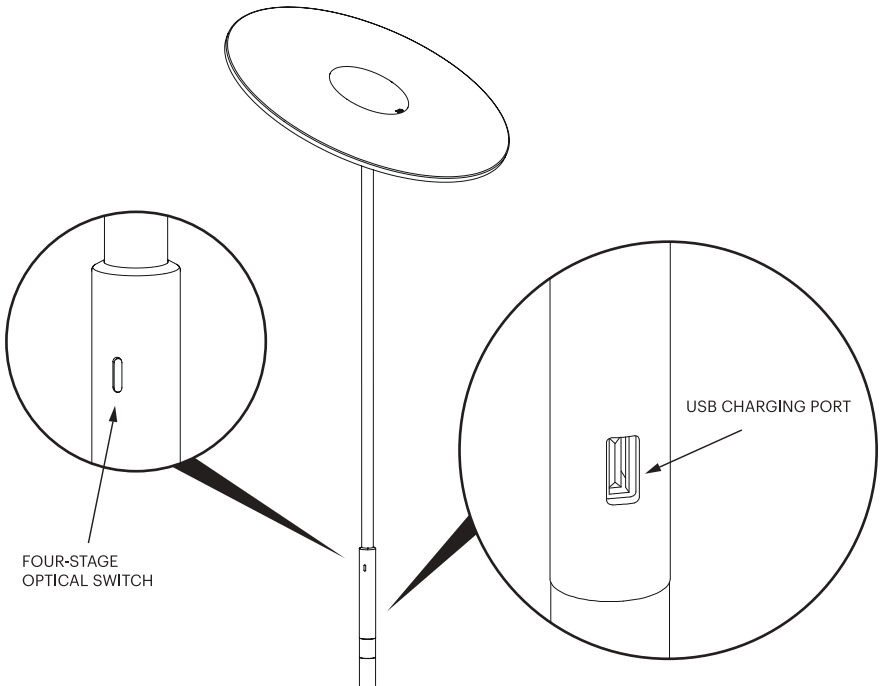
NOTE: CONTACT MANUFACTURER FOR ADDITIONAL PLUG TYPE REQUIREMENTS.



# Pablo®

# CIRCA FLOOR

## CIRCA FLOOR SWITCH AND USB CHARGING



### HIGHLIGHTS

SINGLE 5.0V USB OUTPUT SUPPORTS CHARGING FOR SMARTPHONES, TABLETS AND OTHER MOBILE DEVICES.

### SPECIFICATIONS

USB 2.0 OR 1.1 STANDARD CORD REQUIRED (CORD NOT INCLUDED)

OUTPUT VOLTAGE: 5VDC + - 5%

OUTPUT CURRENT: 1A MAX

### NOTE

CIRCA FLOOR WILL CONTINUE TO CHARGE YOUR MOBILE DEVICE EVEN WHEN LAMP IS IN THE "OFF" POSITION.

PLEASE REFER TO YOUR MOBILE DEVICE'S USER MANUAL FOR COMPATIBILITY AND CHARGING TIME. PLEASE REFRAIN FROM LEAVING YOUR DEVICE PLUGGED IN FOR LONGER THAN THE RECOMMENDED TIME, OTHERWISE IT MAY RESULT IN OVER CHARGING.

PRESS AND HOLD OPTICAL SWITCH FOR 1.5 SECONDS TO TURN OFF. TAP BRIEFLY TO CYCLE THROUGH FOUR STAGES.

### ACCESSORIES

OPTIONAL PEDESTAL FOR MOBILE DEVICES

### CARE INSTRUCTIONS

WIPE CLEAN WITH A SOFT DAMP CLOTH. AVOID AMMONIA-BASED CLEANERS.

Pablo®

# CIRCA PEDESTAL

## ASSEMBLY & INSTALLATION INSTRUCTIONS

INFO@PABLODESIGNS.COM  
888 MARIN STREET  
SAN FRANCISCO, CA  
94124

PABLODESIGNS.COM

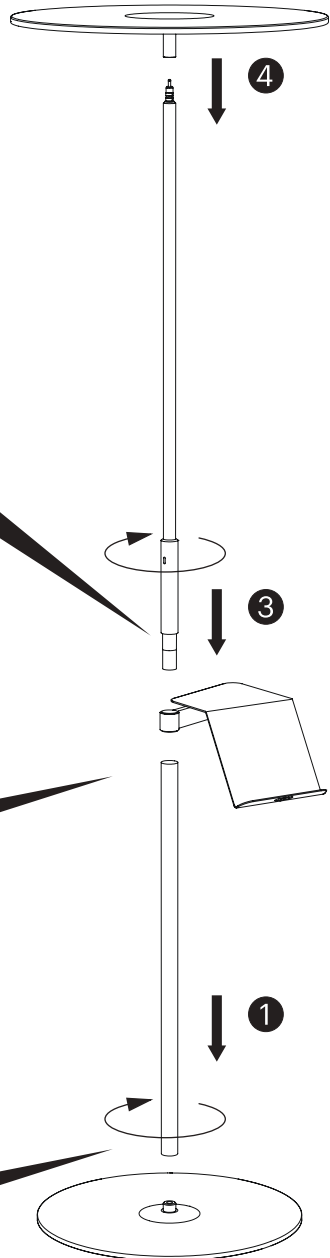
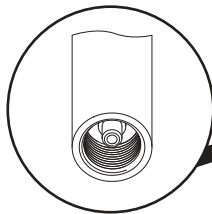
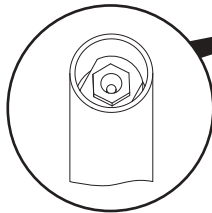
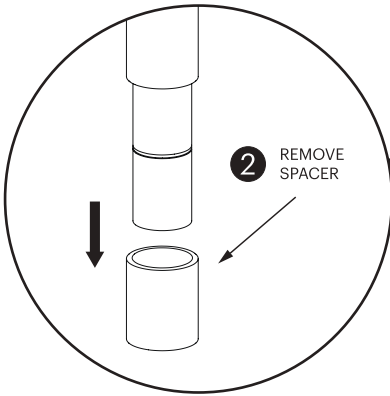


Pablo®

# CIRCA PEDESTAL

## ASSEMBLY

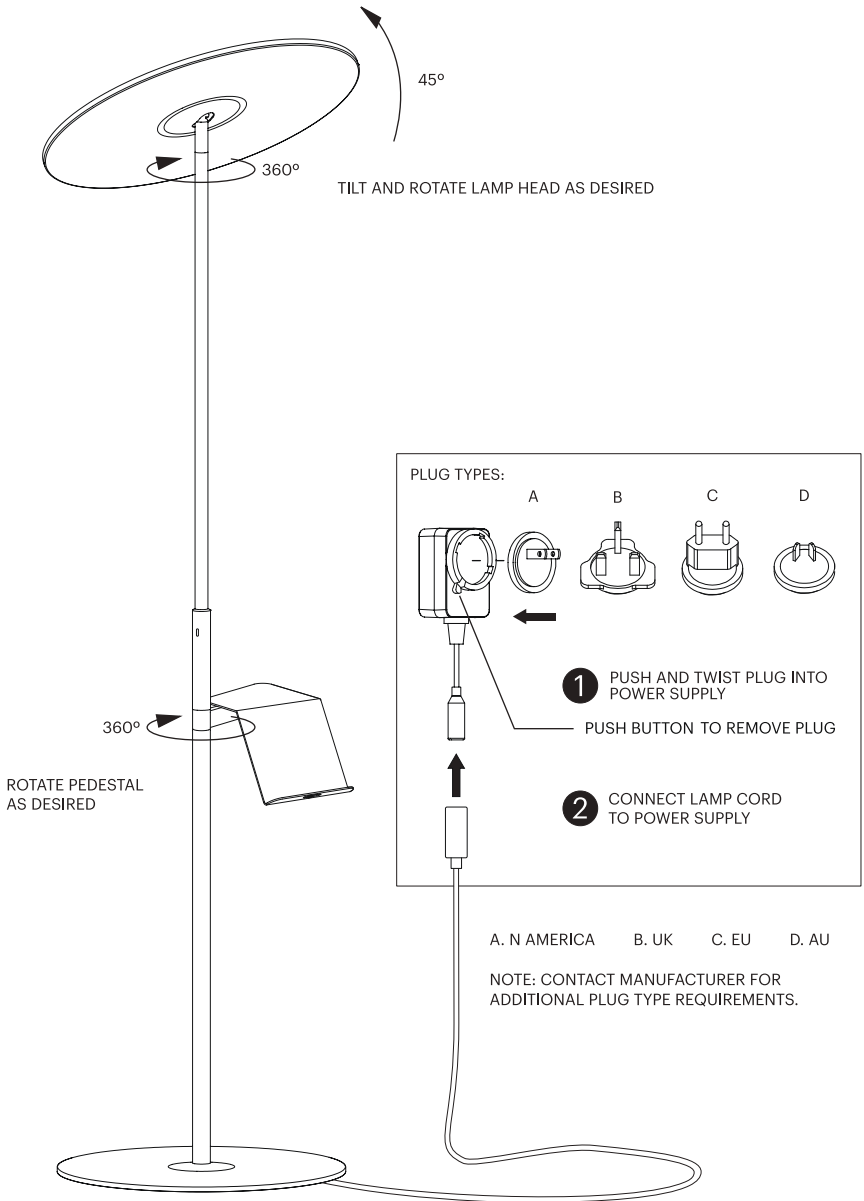
1. SCREW LOWER STEM INTO BASE AS SHOWN
2. REMOVE SPACER FROM UPPER STEM (PEDESTAL REPLACES SPACER)
3. POSITION PEDESTAL BETWEEN UPPER AND LOWER STEM, THEN SCREW TO TIGHTEN
4. "CLICK" LAMP HEAD INTO POSITION



# Pablo®

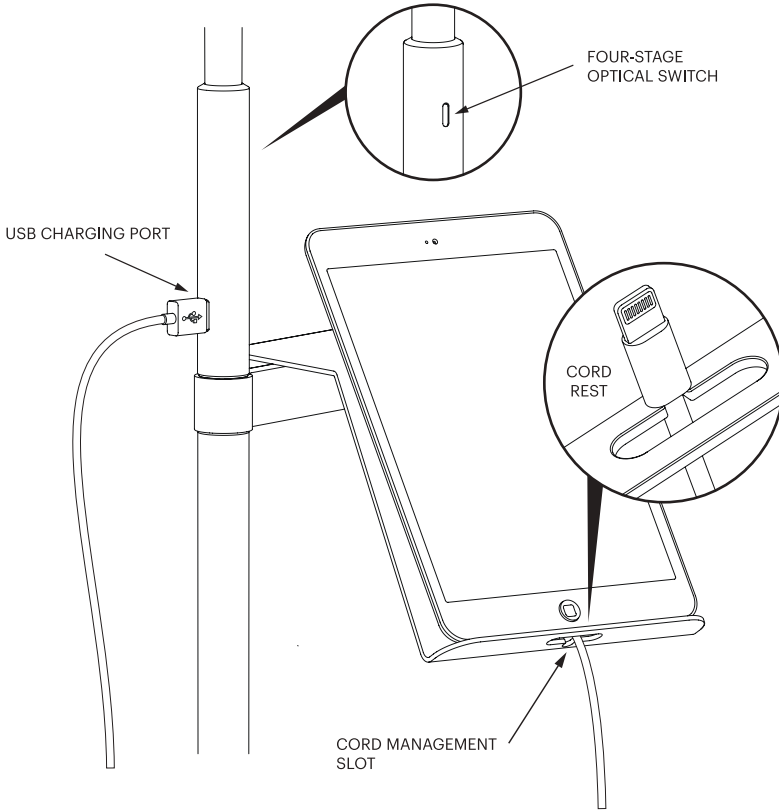
## CIRCA PEDESTAL

### ADJUSTMENT



# CIRCA PEDESTAL

## CIRCA FLOOR SWITCH AND USB CHARGING



### HIGHLIGHTS

SINGLE 5.0V USB OUTPUT SUPPORTS CHARGING FOR SMARTPHONES, TABLETS AND OTHER MOBILE DEVICES.

### SPECIFICATIONS

USB 2.0 OR 1.1 STANDARD CORD REQUIRED (CORD NOT INCLUDED)  
OUTPUT VOLTAGE: 5VDC + - 5%  
OUTPUT CURRENT: 1A MAX

### NOTE

CIRCA PEDESTAL WILL CONTINUE TO CHARGE YOUR MOBILE DEVICE EVEN WHEN LAMP IS IN THE "OFF" POSITION.

PLEASE REFER TO YOUR MOBILE DEVICE'S USER MANUAL FOR COMPATIBILITY AND CHARGING TIME. PLEASE REFRAIN FROM LEAVING YOUR DEVICE PLUGGED IN FOR LONGER THAN THE RECOMMENDED TIME, OTHERWISE IT MAY RESULT IN OVER CHARGING.

PRESS AND HOLD OPTICAL SWITCH FOR 1.5 SECONDS TO TURN OFF. TAP BRIEFLY TO CYCLE THROUGH FOUR STAGES.

### CARE INSTRUCTIONS

WIPE CLEAN WITH A SOFT DAMP CLOTH. AVOID AMMONIA-BASED CLEANERS.

Pablo®

CIRCA  
WALL

**ASSEMBLY & INSTALLATION INSTRUCTIONS**

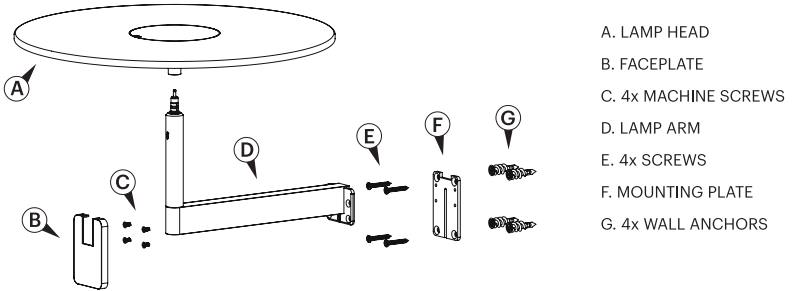
INFO@PABLODESIGNS.COM  
888 MARIN STREET  
SAN FRANCISCO, CA  
94124

PABLODESIGNS.COM



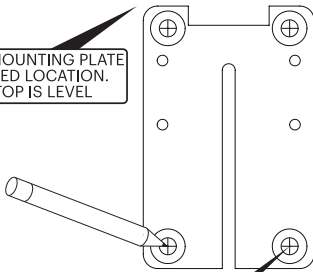
# CIRCA WALL

## PARTS LIST



- 1** USE THE MOUNTING PLATE AS A TEMPLATE FOR MARKING THE LOCATION OF THE WALL ANCHORS

PLACE THE MOUNTING PLATE IN THE DESIRED LOCATION. MAKE SURE TOP IS LEVEL



MARK THE CENTER OF ALL FOUR HOLES AS SHOWN

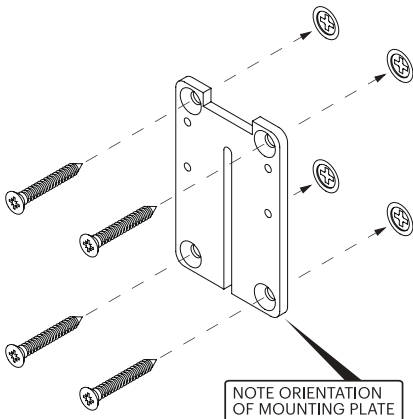
- 2** REMOVE THE PLATE FROM THE WALL AND INSTALL ALL FOUR WALL ANCHORS

TAP THE UNTHREADED TIP OF THE ANCHOR INTO THE WALL

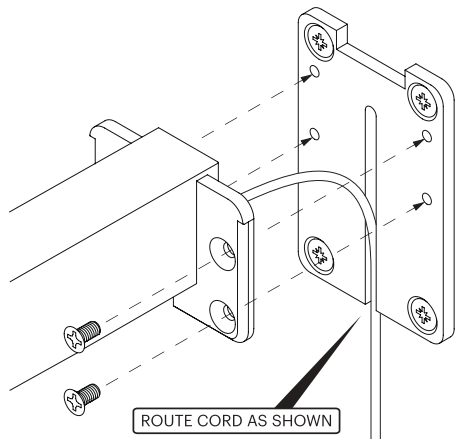
USE A PHILLIPS SCREWDRIVER TO COMPLETE THE ANCHOR INSTALLATION

THIS SURFACE SHOULD BE FLUSH WITH THE WALL

- 3** SCREW THE MOUNTING PLATE TO THE ANCHORS WITH THE SCREWS PROVIDED

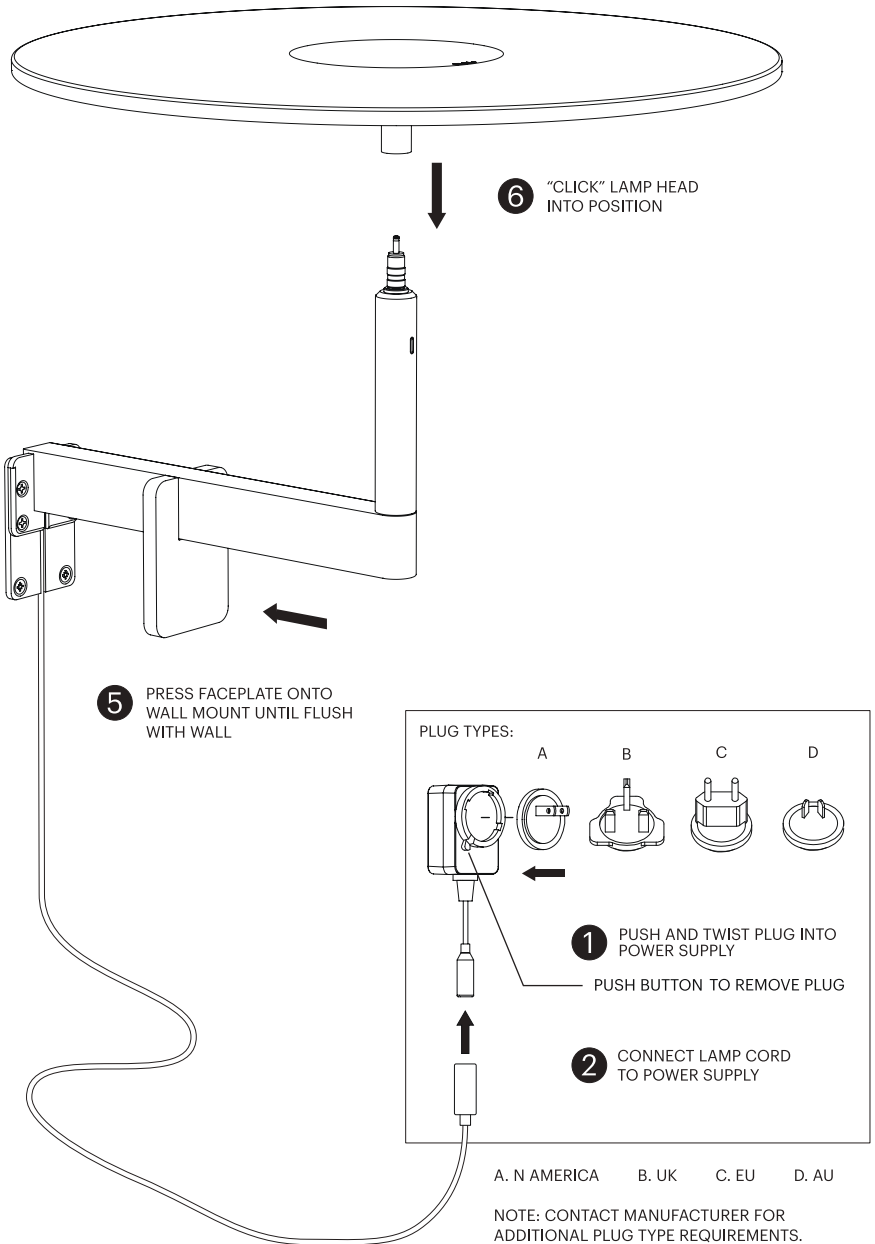


- 4** SCREW LAMP ARM TO THE MOUNTING PLACE WITH THE FOUR MACHINE SCREWS PROVIDED



# CIRCA WALL

ASSEMBLY

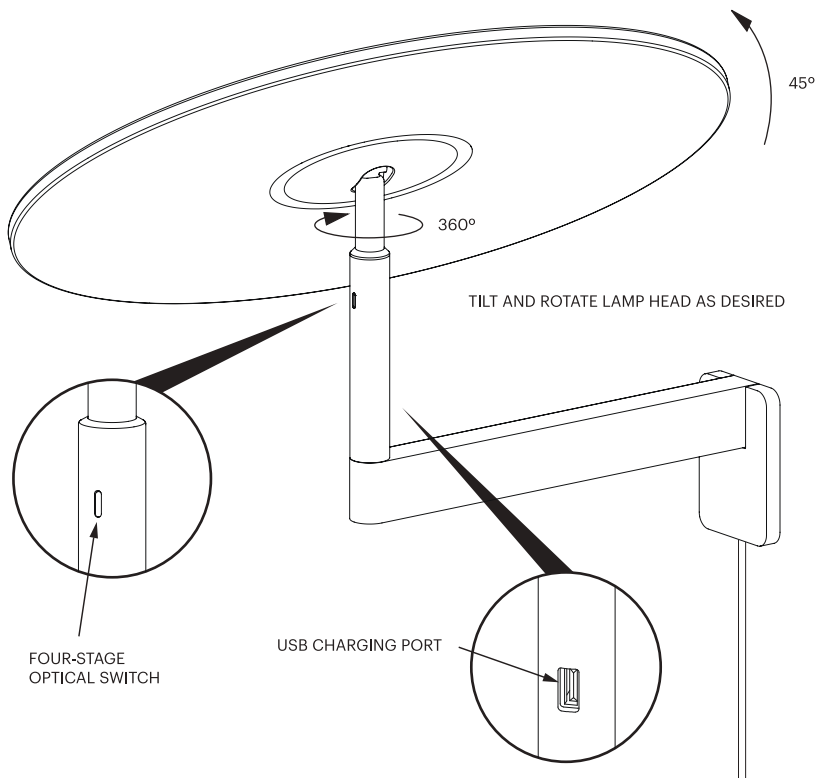




# Pablo®

## CIRCA WALL

### CIRCA WALL SWITCH AND USB CHARGING



#### HIGHLIGHTS

SINGLE 5.0V USB OUTPUT SUPPORTS CHARGING FOR SMARTPHONES, TABLETS AND OTHER MOBILE DEVICES.

#### SPECIFICATIONS

USB 2.0 OR 1.1 STANDARD CORD REQUIRED (CORD NOT INCLUDED)  
OUTPUT VOLTAGE: 5VDC + - 5%  
OUTPUT CURRENT: 1A MAX

#### NOTE

CIRCA WALL WILL CONTINUE TO CHARGE YOUR MOBILE DEVICE EVEN WHEN LAMP IS IN THE "OFF" POSITION.

PLEASE REFER TO YOUR MOBILE DEVICE'S USER MANUAL FOR COMPATIBILITY AND CHARGING TIME. PLEASE REFRAIN FROM LEAVING YOUR DEVICE PLUGGED IN FOR LONGER THAN THE RECOMMENDED TIME, OTHERWISE IT MAY RESULT IN OVER CHARGING.

PRESS AND HOLD OPTICAL SWITCH FOR 1.5 SECONDS TO TURN OFF. TAP BRIEFLY TO CYCLE THROUGH FOUR STAGES.

#### CARE INSTRUCTIONS

WIPE CLEAN WITH A SOFT DAMP CLOTH. AVOID AMMONIA-BASED CLEANERS.

Pablo®

# CIRCA PENDANT

**120V / 220V ASSEMBLY & INSTALLATION INSTRUCTIONS**

INFO@PABLODESIGNS.COM  
888 MARIN STREET  
SAN FRANCISCO, CA  
94124

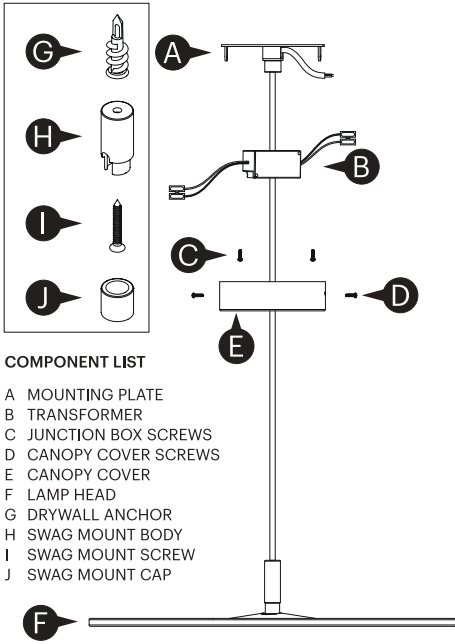
PABLODESIGNS.COM



# CIRCA PENDANT

**IMPORTANT: WE RECOMMEND FIXTURE BE INSTALLED BY AN ELECTRICIAN**

**WARNING: FIXTURE MUST BE WIRED CORRECTLY OR RISK DAMAGE TO COMPONENTS**

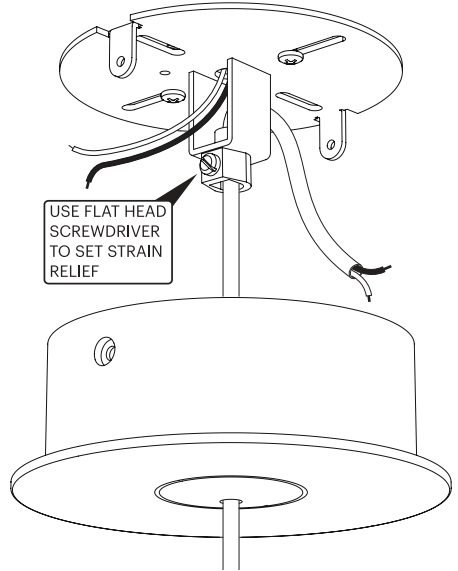


**COMPONENT LIST**

- A MOUNTING PLATE
- B TRANSFORMER
- C JUNCTION BOX SCREWS
- D CANOPY COVER SCREWS
- E CANOPY COVER
- F LAMP HEAD
- G DRYWALL ANCHOR
- H SWAG MOUNT BODY
- I SWAG MOUNT SCREW
- J SWAG MOUNT CAP

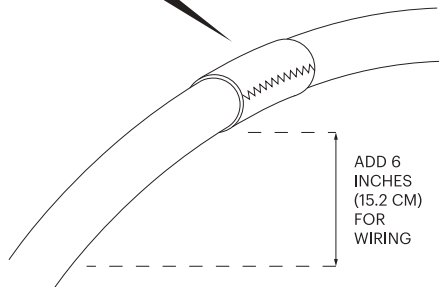
**NOTE: IF JUNCTION BOX IS NOT LOCATED IN THE DESIRED POSITION FOR CIRCA PENDANT, SEE BACK PAGE FOR SWAG MOUNT INSTALLATION**

- 2** ROUTE FIXTURE AND BUILDING CORDS AS SHOWN, THEN PULL CIRCA PENDANT TO DESIRED HEIGHT AND SET STRAIN RELIEF

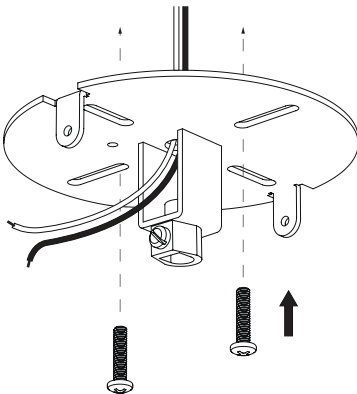


- 3** CUT FIXTURE CORD TO DESIRED LENGTH, ADDING AN ADDITIONAL 3 INCHES (7.6 CM) FOR WIRING

BEFORE CUTTING, WRAP CORD WITH ELECTRICAL TAPE TO PREVENT THE FABRIC SLEEVE FROM FRAYING



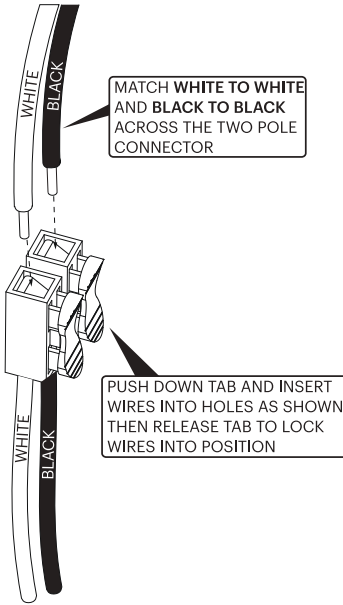
- 1** ROUTE BUILDING WIRING THROUGH MOUNTING PLATE, THEN ATTACH PLATE TO JUNCTION BOX



# CIRCA PENDANT

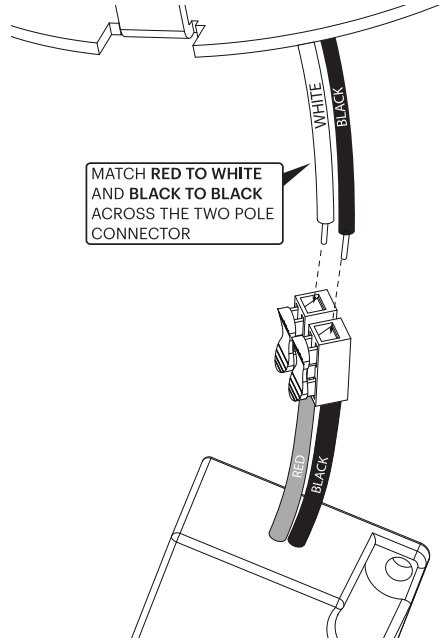
## 4 BUILDING WIRING

CONNECT BUILDING WIRING TO 2 POLE CONNECTOR ON AC INPUT SIDE OF TRANSFORMER

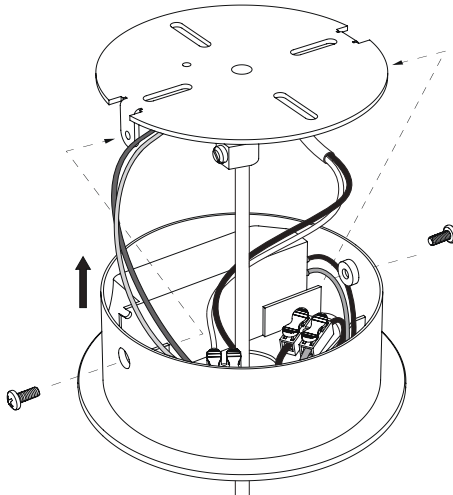


## 5 FIXTURE WIRING

CONNECT FIXTURE WIRING TO 2 POLE CONNECTOR ON DC OUTPUT SIDE OF TRANSFORMER



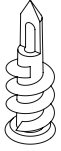
- 6 TUCK WIRES AND POLE CONNECTIONS INTO CANOPY COVER, THEN SLIDE COVER PLATE UP TO CEILING AND SECURE WITH SUPPLIED SCREWS



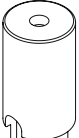
# CIRCA PENDANT

## SWAG MOUNT INSTALLATION

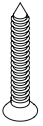
IF JUNCTION BOX IS NOT LOCATED IN DESIRED POSITION OF LIGHT, FOLLOW THESE ADDITIONAL STEPS:



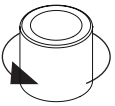
- 1 POSITION ANCHOR OVER DESIRED PENDANT LOCATION ON CEILING. TAP ANCHOR INTO THE CEILING, THEN USE A PHILLIPS SCREWDRIVER TO COMPLETE INSTALLATION



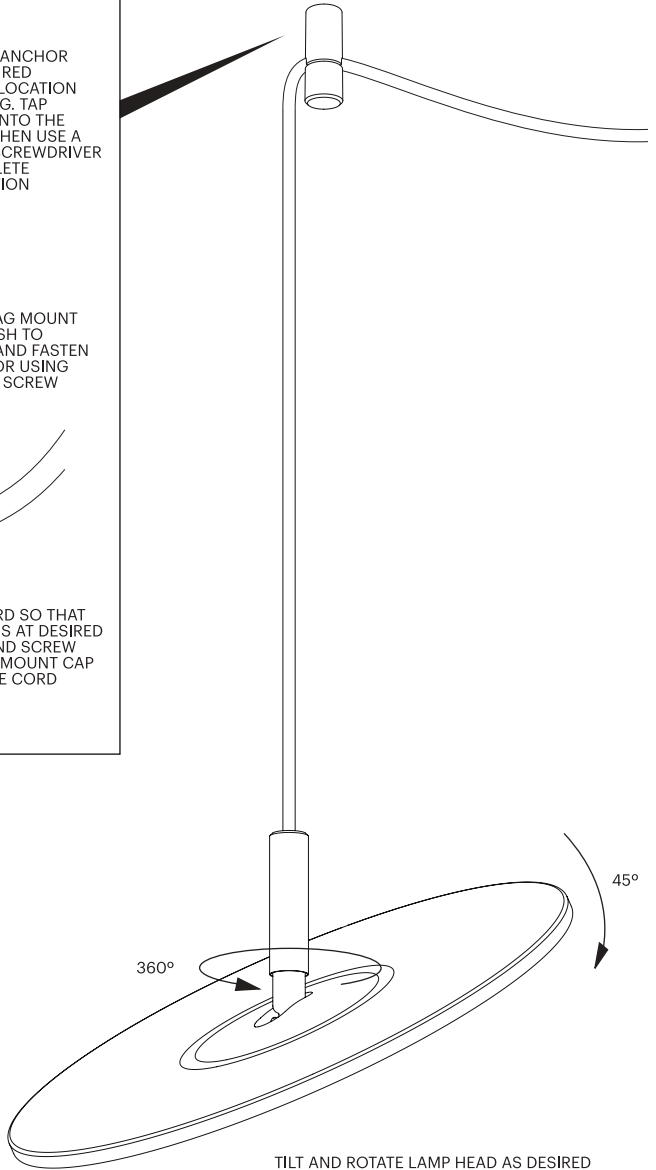
- 2 HOLD SWAG MOUNT BODY FLUSH TO ANCHOR AND FASTEN TO ANCHOR USING PROVIDED SCREW



- 3 HOLD CORD SO THAT PENDANT IS AT DESIRED HEIGHT AND SCREW ON SWAG MOUNT CAP TO SECURE CORD



## ADJUSTMENT



**BULB TYPE**  
LED FLAT PANEL

**BULB REPLACEMENT**  
CONTACT MANUFACTURER  
FOR BULB REPLACEMENT

**CORD LENGTH**  
10FT (305CM)

**ELECTRONIC**  
LOW VOLTAGE DIMMER  
RECOMMENDED

**CARE INSTRUCTIONS**  
WIPE CLEAN WITH A SOFT  
DAMP CLOTH. AVOID  
AMMONIA-BASED  
CLEANERS.

**Pablo®**

# CIRCA CHANDELIER

## 120V ASSEMBLY & INSTALLATION INSTRUCTIONS

INFO@PABLODESIGNS.COM  
888 MARIN STREET  
SAN FRANCISCO, CA  
94124

PABLODESIGNS.COM

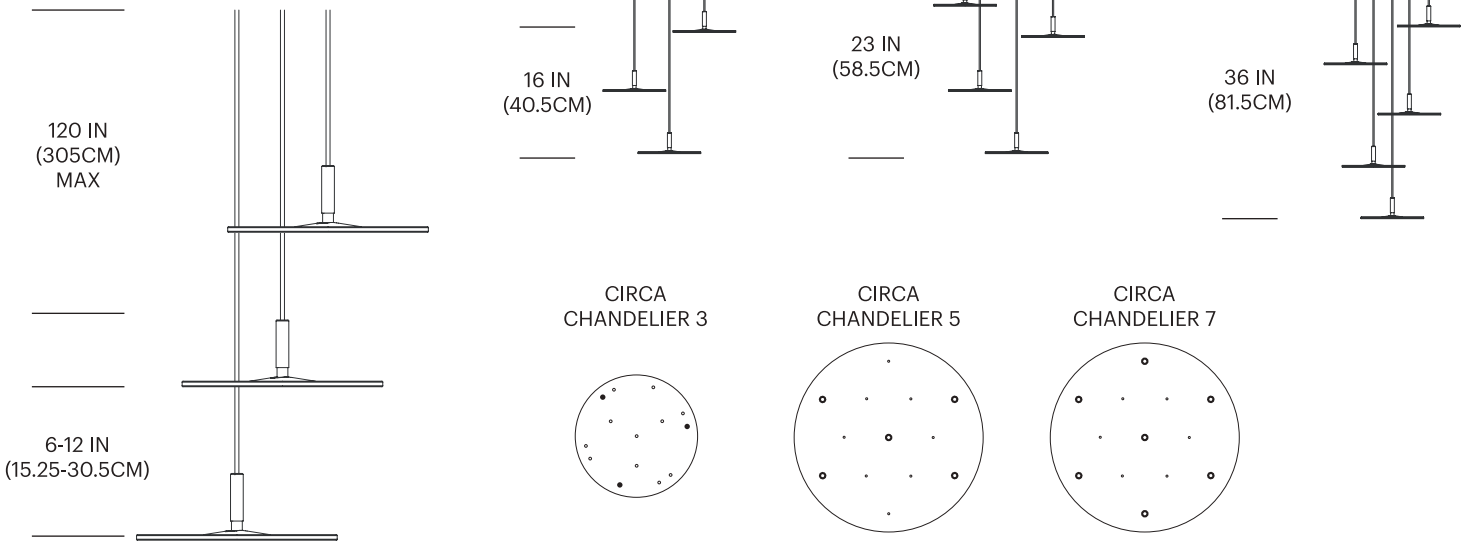


# CIRCA CHANDELIER

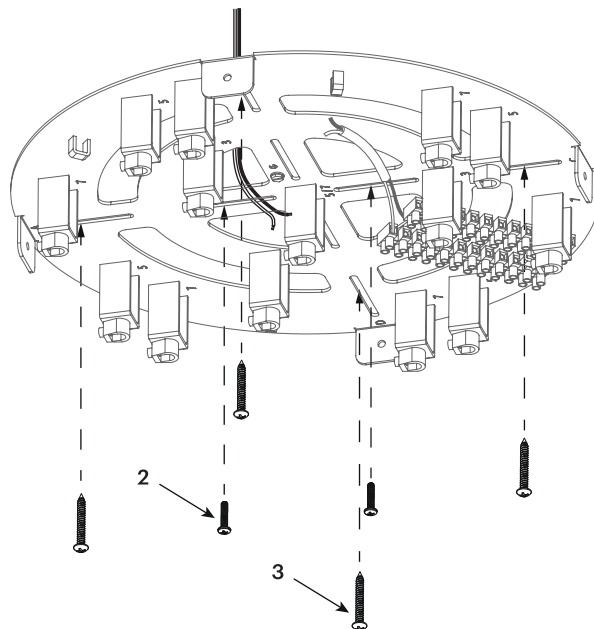
**IMPORTANT: WE RECOMMEND FIXTURE BE INSTALLED BY AN ELECTRICIAN. CIRCA CHANDELIER MUST BE SECURELY ANCHORED TO 150LBS RATED JUNCTION BOX OR MOUNTED TO CEILING STUDS.**

## SUGGESTED HANGING CONFIGURATIONS

1. DETERMINE APPROPRIATE HEIGHT ABOVE SURFACE FOR LOWEST LAMP
2. SPACE EACH LAMP 12 INCHES (30.5CM) ABOVE THE PREVIOUS LAMP
3. MOVE UPWARDS IN A SPIRAL PATTERN



### 1 ROUTE BUILDING WIRING THROUGH MOUNTING PLATE



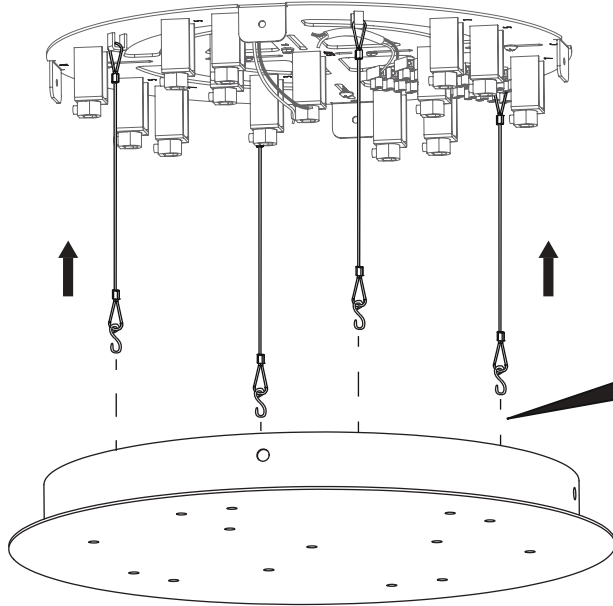
**2** ATTACH PLATE TO JUNCTION BOX WITH PROVIDED JUNCTION BOX MACHINE SCREWS

**3** ANCHOR PLATE INTO CEILING STUDS WITH PROVIDED WOOD SCREWS IF POSSIBLE. IF NOT, USE PROVIDED CEILING ANCHORS AND WOOD SCREWS TO SECURE PLATE TO CEILING

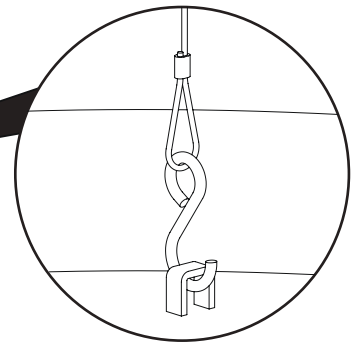
**NOTE: INSTALLATION REQUIRES STANDARD PHILLIPS HEAD SCREW DRIVER AND #2 FLAT HEAD SCREW DRIVER**

# CIRCA CHANDELIER

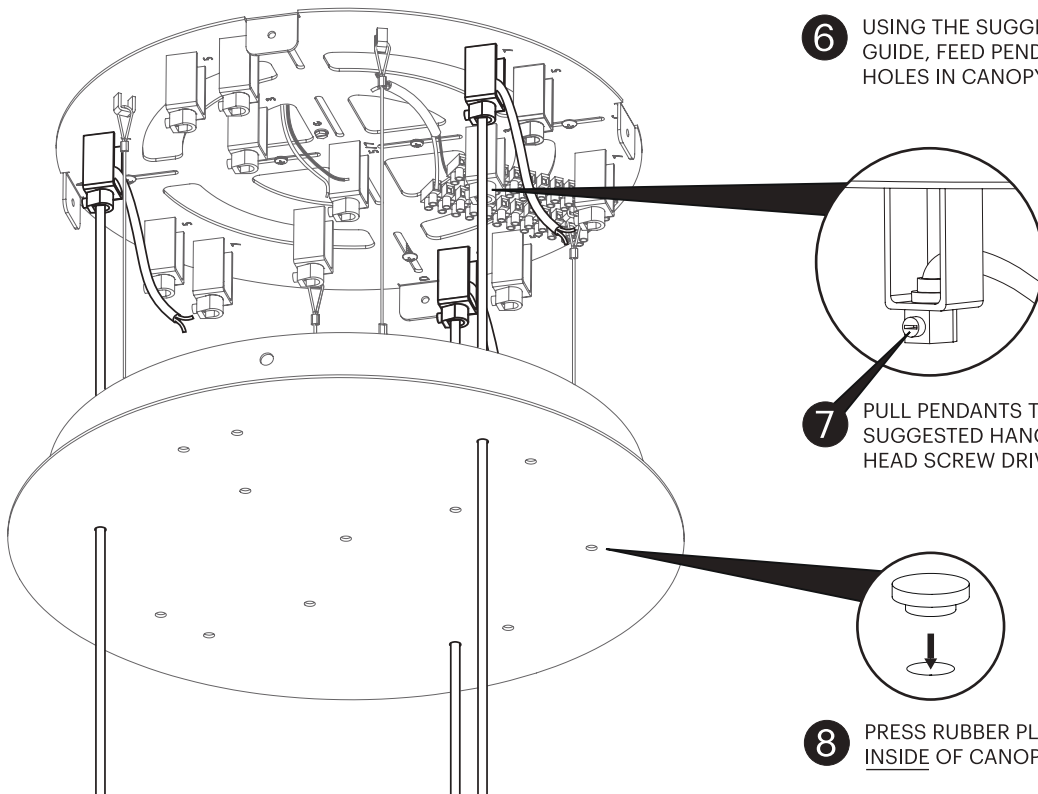
**4** ALIGN HOLES ON MOUNTING PLATE WITH CORRESPONDING HOLES ON CANOPY COVER



**5** ATTACH CABLE HOOKS TO CABLE MOUNTS ON CANOPY COVER TO SUPPORT CANOPY COVER DURING INSTALLATION. CABLE HOOKS MUST REMAIN ATTACHED TO CANOPY COVER TO ENSURE SAFE INSTALLATION



**6** USING THE SUGGESTED HANGING CONFIGURATION AS A GUIDE, FEED PENDANT CORDS THROUGH ASSIGNED HOLES IN CANOPY COVER AND STRAIN RELIEFS



**7** PULL PENDANTS TO DESIRED HEIGHT REFERENCING SUGGESTED HANGING CONFIGURATIONS. USE #2 FLAT HEAD SCREW DRIVER TO SET STRAIN RELIEFS

**8** PRESS RUBBER PLUGS INTO UNUSED HOLES FROM INSIDE OF CANOPY COVER

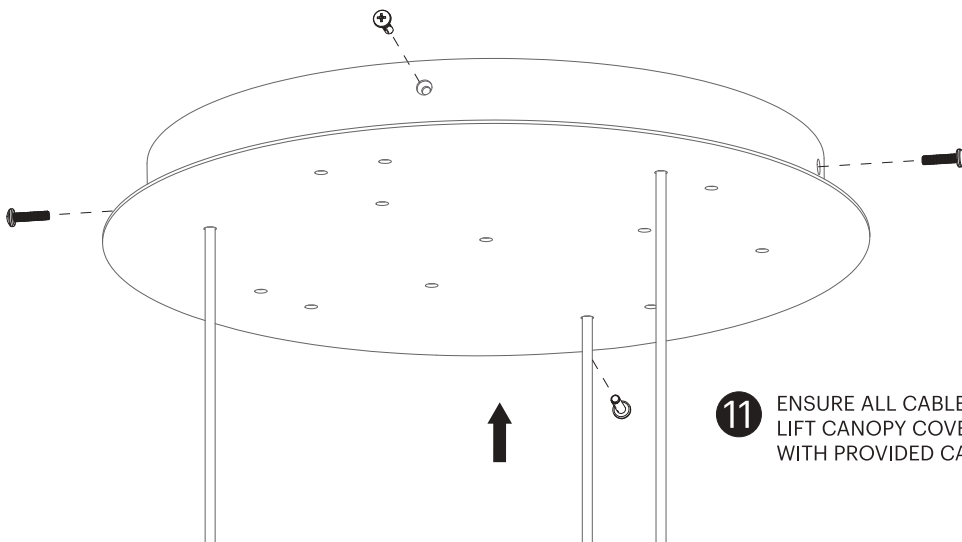
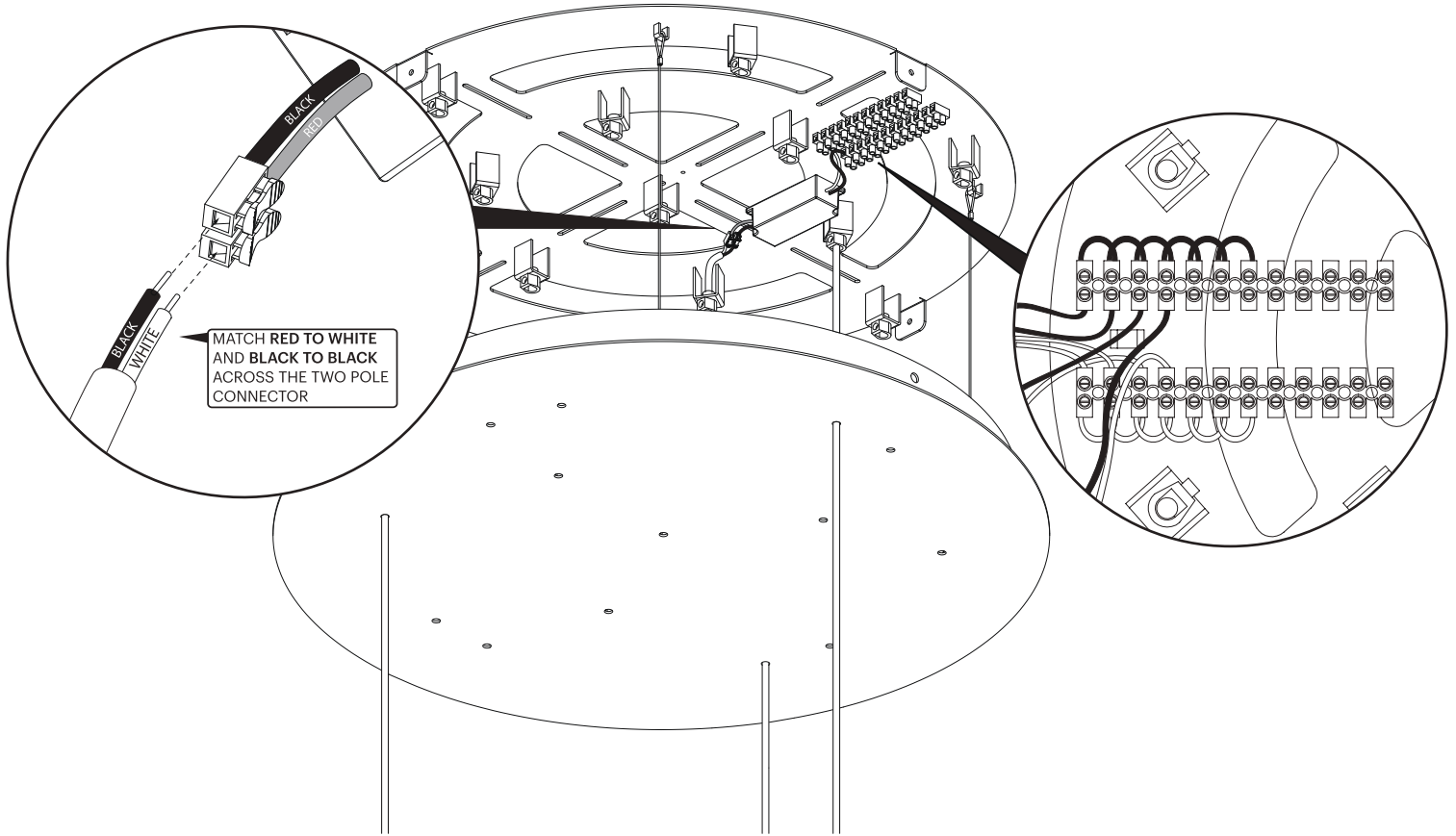
NOTE: INSTALLATION SHOWN IS FOR CIRCA CHANDELIER 3. FOR CIRCA CHANDELIER 5 AND 7, FOLLOW THE SAME WIRING PROCESS USING THE HOLE PLACEMENT OUTLINED IN SUGGESTED HANGING CONFIGURATIONS



# CIRCA CHANDELIER

- 9** **FIXTURE WIRING**  
CONNECT FIXTURE WIRING TO 2 POLE CONNECTOR  
ON DC OUTPUT SIDE OF TRANSFORMER AS SHOWN

- 10** **BUILDING WIRING**  
CONNECT AC INPUT SIDE OF TRANSFORMER TO  
TERMINAL BLOCKS AS SHOWN AND SECURE  
WITH A #2 FLAT HEAD SCREWDRIVER



- 11** ENSURE ALL CABLES AND CORDS ARE TUCKED WITHIN CANOPY COVER.  
LIFT CANOPY COVER UP TO CEILING AND SECURE TO MOUNTING PLATE  
WITH PROVIDED CANOPY COVER MACHINE SCREWS

Pablo®

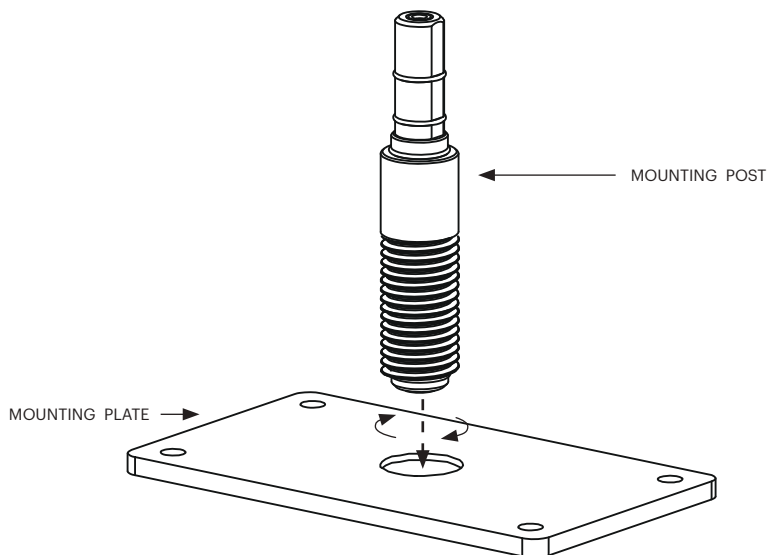
# CIRCA GROMMET

ASSEMBLY & INSTALLATION INSTRUCTIONS

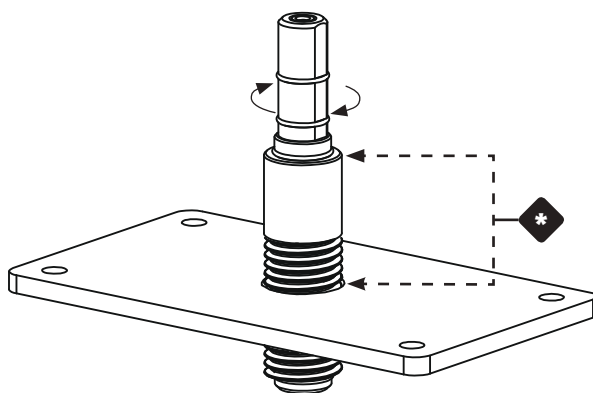


# Pablo® CIRCA

1



2



# Pablo®

## CIRCA

### EN: CIRCA SWITCH AND USB CHARGING

◆ TILT AND ROTATE LAMP HEAD AS DESIRED

**A** FOUR-STAGE OPTICAL SWITCH

**B** USB CHARGING PORT

### CARE INSTRUCTIONS

WIPE CLEAN WITH A SOFT DAMP CLOTH. AVOID AMMONIA-BASED CLEANERS.

### ! HIGHLIGHTS

SINGLE 5.0V USB OUTPUT SUPPORTS CHARGING FOR SMARTPHONES AND OTHER SIMILAR MOBILE DEVICES.

### SPECIFICATIONS

USB 2.0 OR 1.1 STANDARD CORD REQUIRED (CORD NOT INCLUDED)

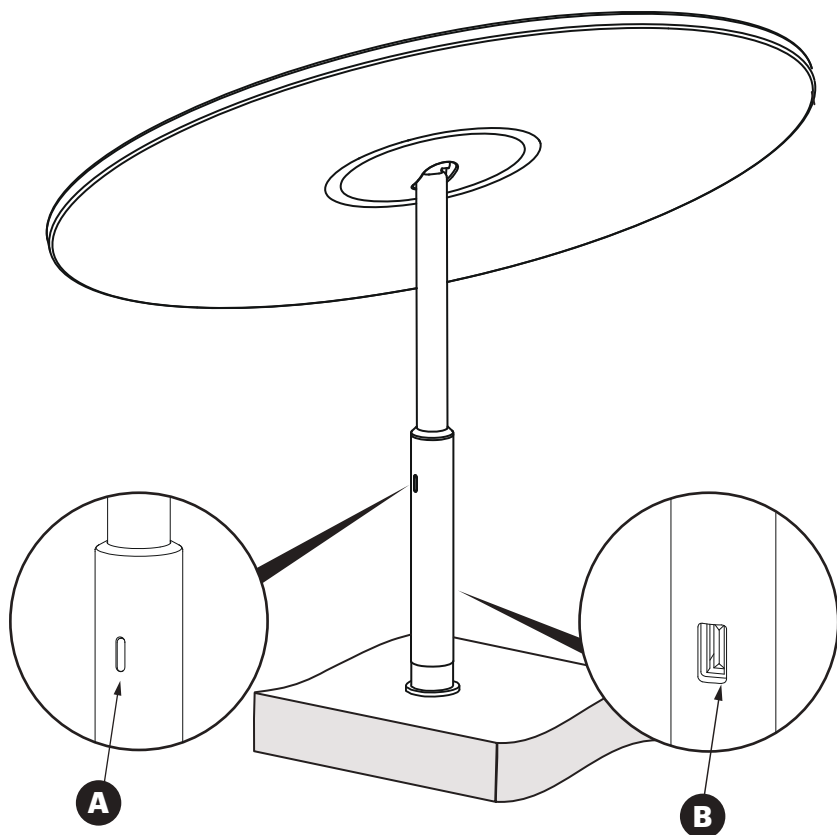
OUTPUT VOLTAGE: 5VDC +/- 5%

OUTPUT CURRENT: 1A MAX

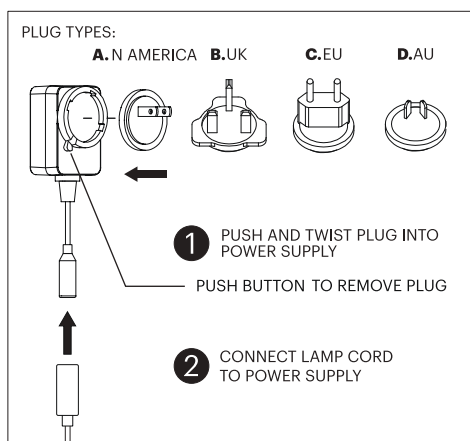
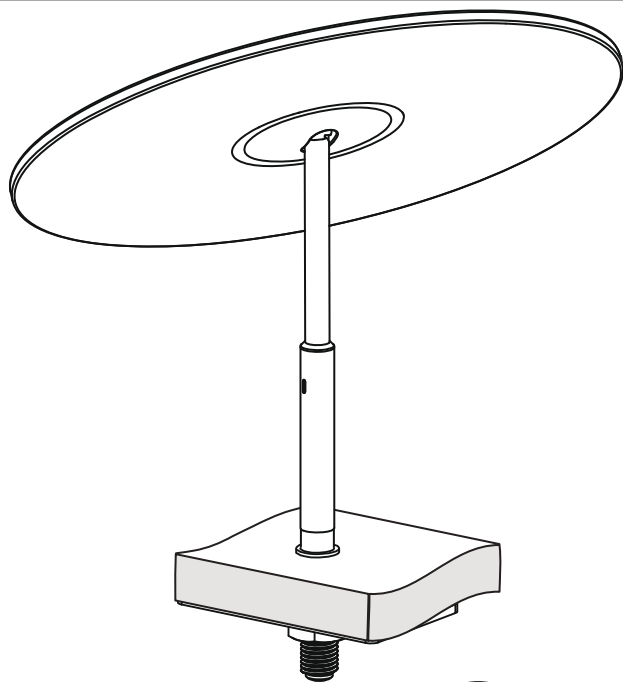
### NOTE

CIRCA WILL CONTINUE TO CHARGE YOUR MOBILE DEVICE EVEN WHEN LAMP IS IN THE "OFF" POSITION.

PLEASE REFER TO YOUR MOBILE DEVICE'S USER MANUAL FOR COMPATIBILITY AND CHARGING TIME. PLEASE REFRAIN FROM LEAVING YOUR DEVICE PLUGGED IN FOR LONGER THAN THE RECOMMENDED TIME, OTHERWISE IT MAY RESULT IN OVER CHARGING.



# Pablo® CIRCA



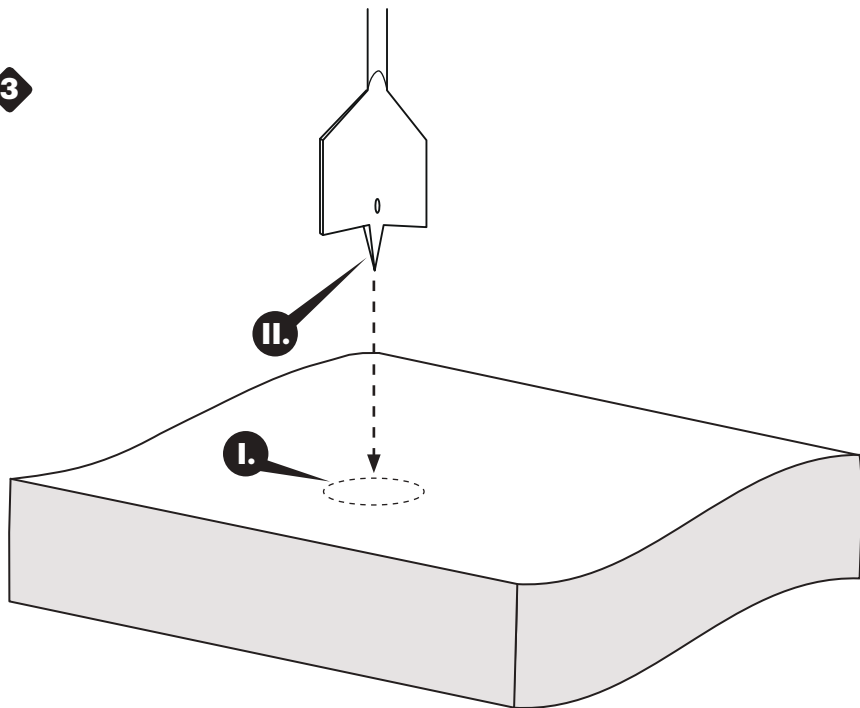
# Pablo®

## CIRCA

### EN: ASSEMBLY

- ❶ THREAD MOUNTING POST INTO MOUNTING PLATE
  - ❷ ENSURE MOUNTING POST IS THREADED TO ACCOUNT FOR SURFACE MATERIAL THICKNESS
  - ❸ MARK AND DRILL LOCATION OF LAMP POST.
    - I. MARK DESIRED LOCATION OF LAMP ON SURFACE.
    - II. USE 7/8 (.875) INCH SPADE DRILL BIT TO DRILL HOLE FOR MOUNTING POST.
- ◆ SURFACE THICKNESS

3

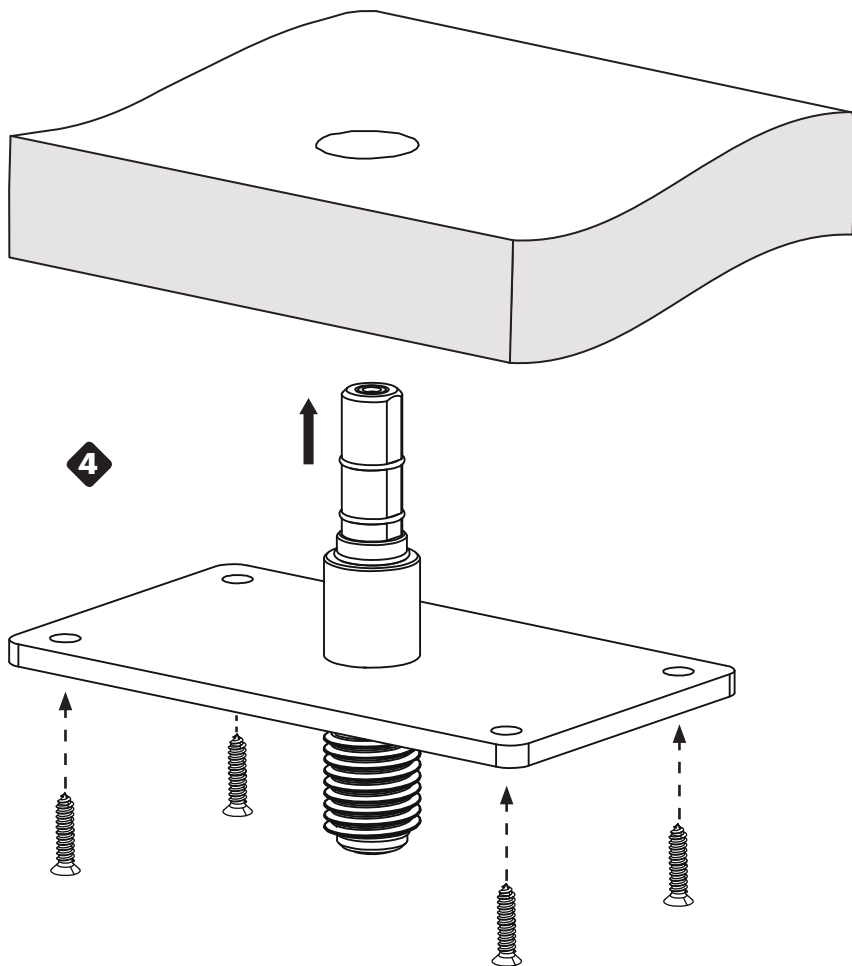


# Pablo® CIRCA

---

**EN: ASSEMBLY**

- 4 FASTEN MOUNTING PLATE ONTO THE SURFACE WITH SCREWS PROVIDED.
  - 5 "CLICK" LAMP HEAD ONTO LAMP POST AND LAMP POST ONTO SURFACE MOUNT POST UNTIL FLUSH WITH SURFACE
  - 6 TIGHTEN NUT TO MOUNTING POST TO SECURE LAMP POSITION
- 



# Pablo® CIRCA

---

