

SETUP



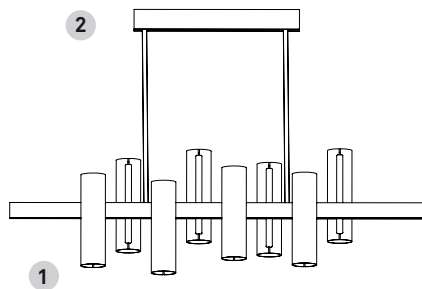
**lzf**

**BLACK NOTE KEYS**

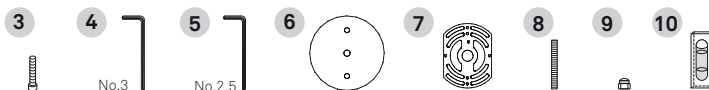
SUSPENSION



# CONTENTS



1 Shade	1 un.
2 Canopy	1 un.
3 Screws	2 un.
4 Allen key N°3	1 un.
5 Allen key N°2,5	1 un.
6 Circular disc	1 un.
7 Back plate	1 un.
8 Screws	2 un.
9 Spherical nuts	2 un.
10 Level	1 un.



# TECHNICAL SPECIFICATIONS

## Integrated LED

120 - 277V

Dual Circuit - DC: Line light, Light Tubes

220 - 240V

Class I



### Led module

120-277V: Dimmable 0-10V & DALI

220-240V: Dimmable Bluetooth BT

80W 50-60Hz

# WARNINGS

**Before assembly and installing this product, carefully read the following instructions:** Turn off the main power before installing the lamp. Dry location only. This lamp is for indoor use only.

**WOOD VENEER:** Due to the natural nature of the material sometimes one may note slight undulations in the wood veneer. This is a natural reaction to humidity or different climatic conditions and should go away with use. Since wood is a natural material, a gradual change in tone may occur over time. Furthermore, if the lamps have been purchased at different times, there will be differences in colour and tone, particularly in light coloured veneers. Luziferlamps S.L. will not be held responsible for this.

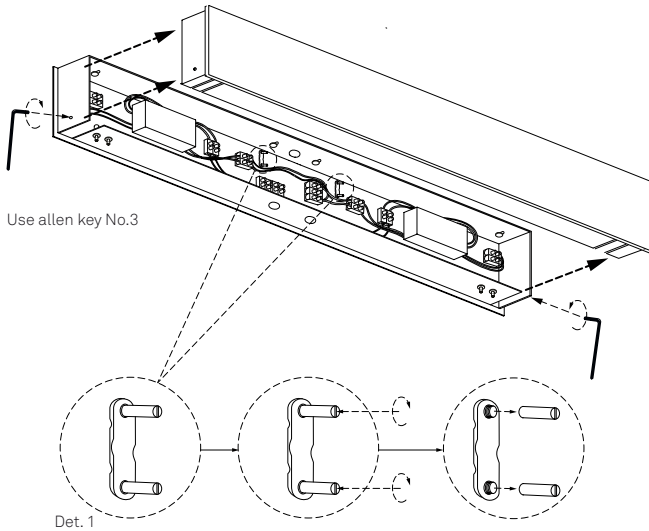
### MORE INFO:

<http://www.lzf-lamps.com/guarantee/>



# ASSEMBLY INSTRUCTIONS

1



1. The canopy of your lamp is made up of two halves. One has the electrical installation on it, and the other is a cover.

-Use the allen key supplied to open the canopy and pull the two halves apart.

-Remove the 2 cable traps temporarily to facilitate the hanging of your canopy.

-Now take the canopy and use the upper side to mark the screw holes on your ceiling.

-Drill and put in your ceiling plugs

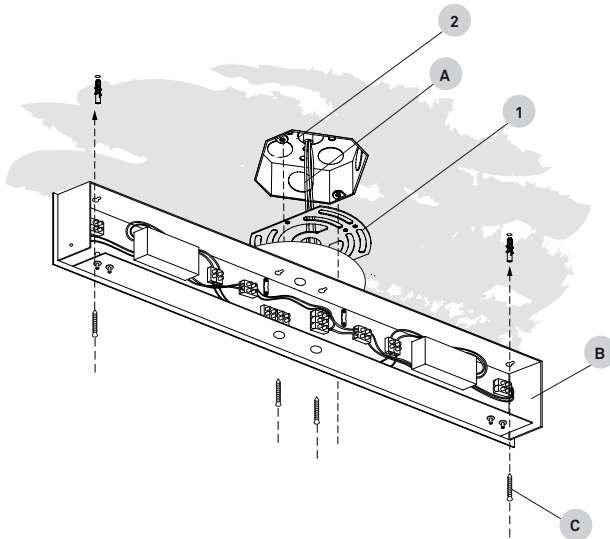
-Screw (C) in the canopy support screws leaving 9mm so you can slide on the canopy later.

Fix back plate and circular disc (1) to the junction box (2).

-Feed the electrical wires (A) from the mains through the top side of the canopy (B), back plate and circular disc.

-Use the canopy keyhole slots to click the canopy, back plate and circular disc into place the screws you have just put in ceiling

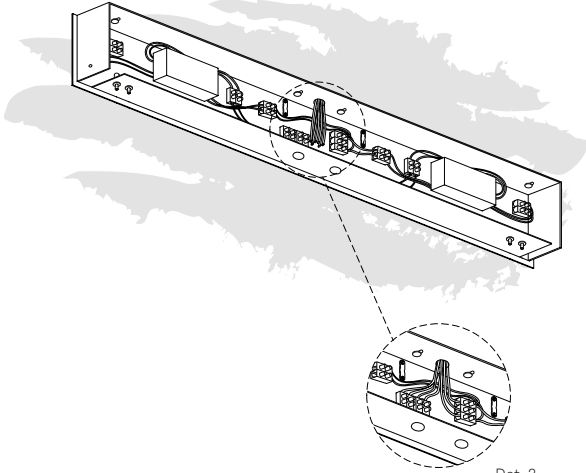
-Tighten the screws the rest of the way.



# ASSEMBLY INSTRUCTIONS

2

## MAINS CONNECTION OPTIONS



Det. 2

### 2. MAINS CONNECTION

Connecting the wires. (Det. 2)

You lamp has two electrical circuits that can be controlled independently or together. One is the tech strip and the other are the wood tubes. How you install your fixture depends on the electrical installation you have, or how you prefer to control your fixture.

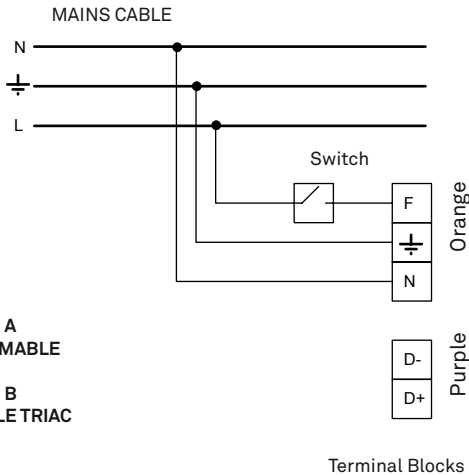
It is important that you choose one of the following options.

#### OPTION 1 A: Complete Lamp On/Off non dimming.

You should have a three wire cable coming from the mains. Connect the Neutral (N), Ground (GND) and Line (F) to the corresponding holes in the orange terminal block.

#### OPTION 1 B: Complete Lamp On/Off non dimming TRIAC

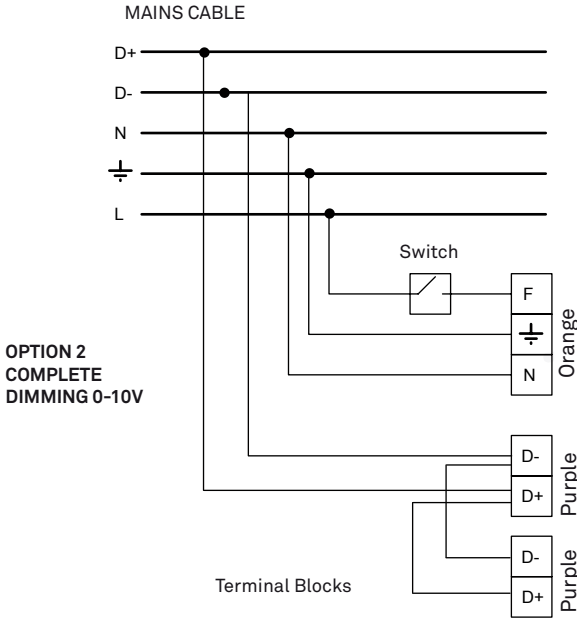
You should have a three wire cable coming from the mains. Connect the Neutral (N), Ground (GND) and Line (F) to the corresponding holes in the orange terminal block.



OPTION 1 A  
NON DIMMABLE

OPTION 1 B  
DIMMABLE TRIAC

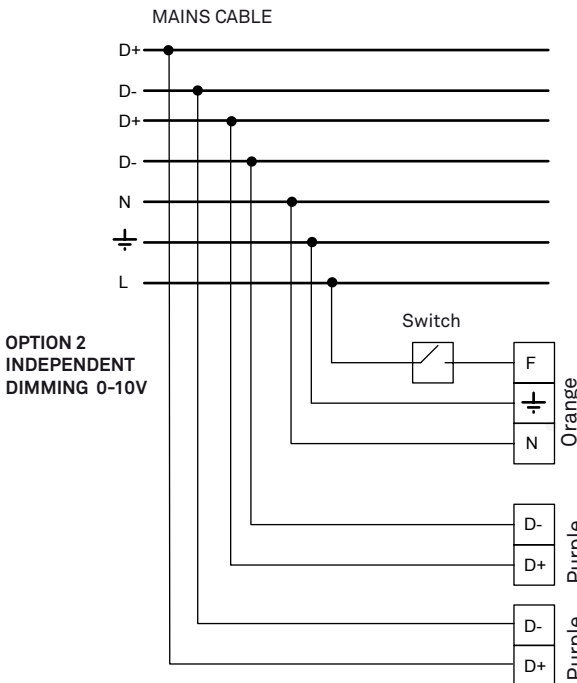
# ASSEMBLY INSTRUCTIONS



## OPTION 2: COMPLETE LAMP DIMMING 0-10V

You should have a five wire cable coming from the mains. Connect the Neutral (N), Ground (GND) and Line (F) to the corresponding holes in the orange terminal block.

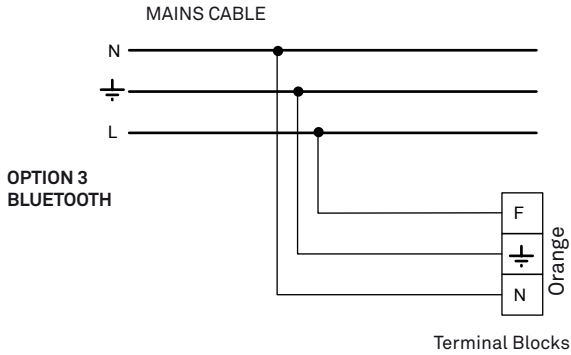
After connecting the main power cable, take the remaining 2 wires which are +/- dimming controls and connect them to corresponding holes in the purple dimming terminal block.



## OPTION 3: INDEPENDENT CIRCUIT DIMMING 0-10V (tubes and/or tech light)

You should have seven wires coming from the mains. Connect the Neutral (N), Ground (GND) and Line (F) to the corresponding holes in the orange terminal block. Take the remaining two sets of two wires and connect each pair to one of the two purple dimming terminal blocks.

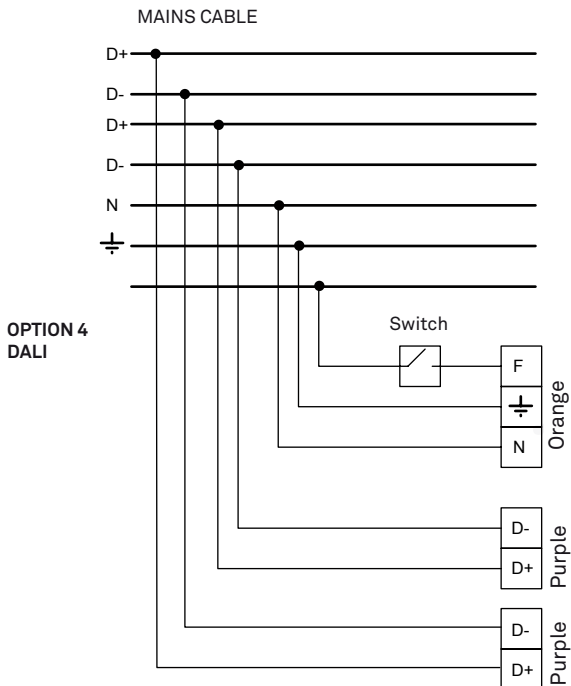
# ASSEMBLY INSTRUCTIONS



## OPTION 4: BLUETOOTH

You should have a three wire cable coming from the mains. Connect the Neutral (N), Ground (GND) and Line (F) to the corresponding holes in the orange terminal block.

Please refer to the Bluetooth control instructions found on the last page of these instruction sheets



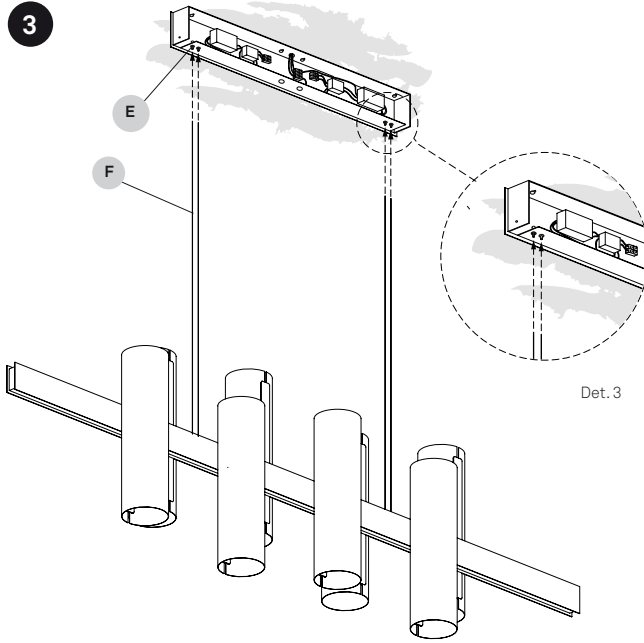
## OPTION 5: DALI

(tubes and tech light)

You should have seven wires coming from the mains. Connect the Neutral (N), Ground (GND) and Line (F) to the corresponding holes in the orange terminal block. Take the remaining two sets of two wires and connect each one to one of the two purple dimming terminal blocks.

## ASSEMBLY INSTRUCTIONS

3



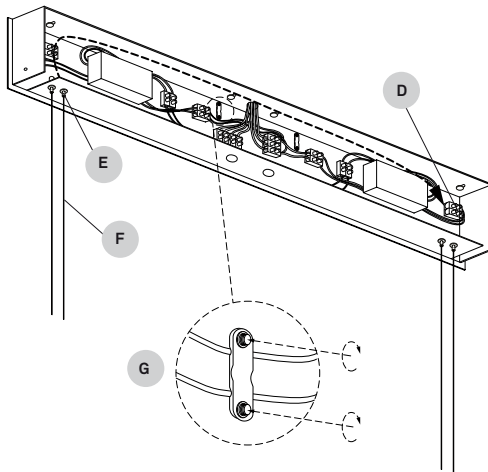
### 3. HANG YOUR LAMPSHADE

Take the black suspension wires (F) from the main fixture and pass them through the one way suspension traps (E) on the underside of your ceiling canopy as indicated in Det 3. And level your fixture adjusting the height of each wire to the desired height.

Note: these wires are also the electrical wires that connect your lamp to the power (Low Voltage), the instructions for connecting them is in step 4.

Det. 3

4



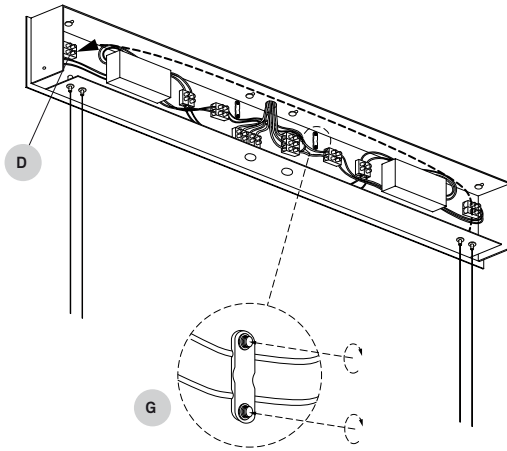
5. -Take the suspension cables (F) that you just passed through the underside of the canopy (E), cut off the excess and peel the tips to make the electrical connection (D).

Note: the suspension cables from the left side connect to the yellow terminal block on the right side of the canopy passing through the cable traps that you removed at the beginning of the installation (G).

The suspension cables from the right side of the canopy connect to the Yellow terminal blocks on the left side of your canopy. Step 6



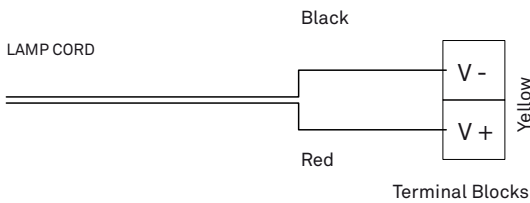
# ASSEMBLY INSTRUCTIONS



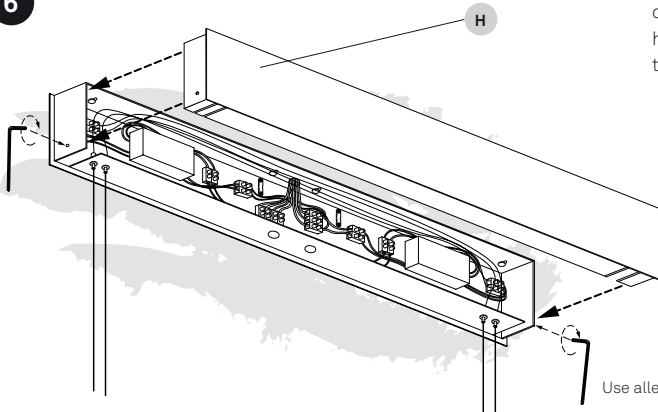
5

## 5. LAMP CONNECTION

This is the wiring diagram of how to connect the suspension cables to the yellow terminal blocks. Step 5

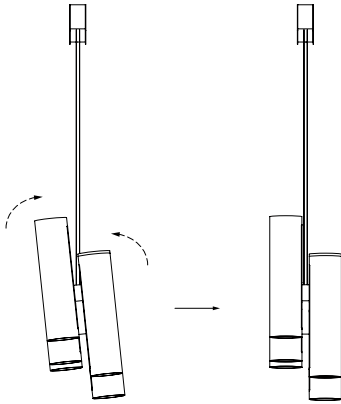


6

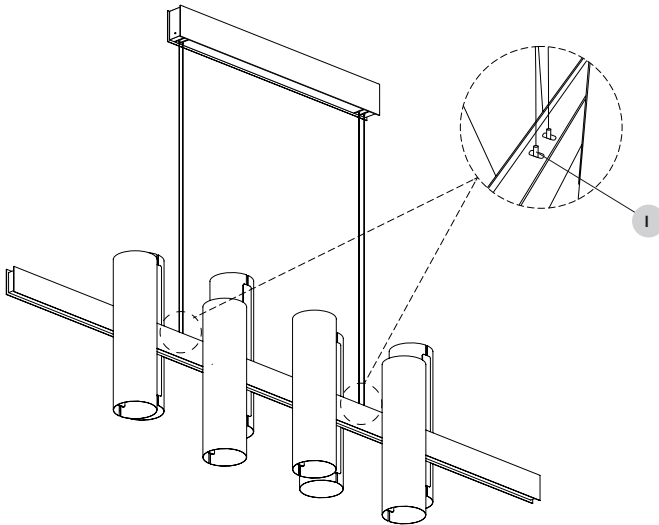


6. Now that all your wiring is complete you can close the canopy by putting on the other half of the cover (H) use the Allen keys to fix the cover on to the other half.

7



7. If your shade is slightly tilted use the balance adjusters that are found on the top side of the Metallic central support strip.(I)



## Casambi App Short User Guide

**Compatibility**

- Android • iOS

**First time use**

Casambi app is easy to enable Bluetooth use.

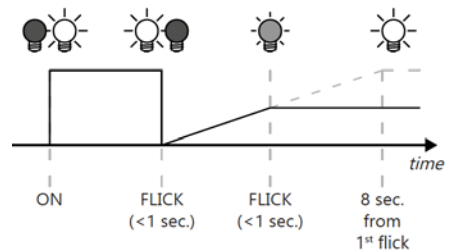
1. Casambi app can be downloaded and installed from the Apple App Store for iOS devices or from the Google Play Store for Android devices.
2. Turn on your Casambi enabled luminaires.
3. Make sure your Bluetooth is on.
4. Open the app.
5. Casambi app will automatically find all Casambi enabled luminaires that are switched on.
6. Tap on the 'Take all lamps into use'.
7. Casambi app will automatically add all luminaires to one network and open the 'Lamps' tab.

**Basic gestures**

- To turn off or on your luminaire just tap on the lamp control.
- Pan lamp control left or right to adjust light level of the luminaire.

**Dimming without app**

1. Turn lights on from the switch.
2. Quickly flick the switch off and back on (max. 1 sec.) The light level starts to increase gradually from the lowest level.
3. Flick the switch off and back on again at desired dim level. The selected level is saved automatically.
4. If the second flick is not done within 8 sec. the light intensity reaches its maximum level.



For more option look at the Casambi web.

# GENERAL CARE INSTRUCTIONS

## Use and care of your lamp.

You have just purchased an original handmade product by LZf. Your lamp is made out of FSC® certified natural wood veneer treated with our patented finish, Timberlite®.

This treatment both protects and safeguards the wood veneer against breakages.

Depending on the type of lamp use a feather duster, soft cleaning cloth or damp cloth for cleaning. On our more delicate shades, like those made from wood strips, a feather duster or an air blower is preferable. In our more solid shades a damp cloth may be used.

Clean only the flat surface of the veneer with the cloth, and please avoid any moisture contact along the edge of the veneer.

## Acrylic Diffusers

The acrylic diffusers on your lamp can be cleaned with a regular window cleaning spray and a soft cloth. Do not use solvents of any kind.

## Metallic Surfaces

The metallic surfaces should be treated with care and cleaned with a soft damp cloth only. Make sure that moisture does not penetrate joints or junctions between metal parts. Do not use solvents of any kind.

## Integrated LED

All LEDs are included in your lamp. Never touch the LED surface with your bare hands as this may reduce the life of your LED.

## Precautions

Luminaire for indoor use only.

Avoid direct sunlight, strong indirect sunlight and moisture on your lamp. Unplug the lamp before cleaning or changing the light bulb. Servicing or manipulation of the electrical installation should only be performed by qualified electrical personnel or by the LZf service department.

