

SETUP

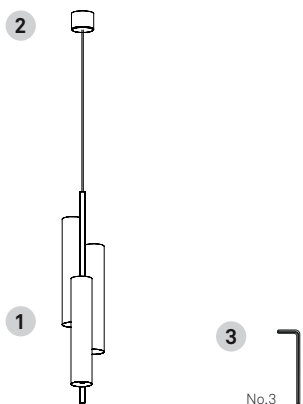


lzf

BLACK NOTE

BKNT TR S LED UL

CONTENTS



1 Shade	1 un.
2 Canopy	1 un.
3 Allen key N°3	1 un.

TECHNICAL SPECIFICATIONS

Integrated LED



Led module 1050mA
120-277V: Dimmable 0-10V & TRIAC
32W 50-60Hz

120 - 277V

Class I

WEIGHT

Net	6,6 Lb
Gross	14,1 Lb

WARNINGS

Before assembly and installing this product, carefully read the following: Turn off the mains before installing the lamp. Dry location only. This lamp is for indoor use only.

WOOD VENEER: Due to the natural nature of the material sometimes one may note slight undulations in the wood veneer. This is a natural reaction to humidity or different climatic conditions and should go away with use. Since wood is a natural material, a gradual change in tone may occur over time. Furthermore, if the lamps have been purchased at different times, there will be differences in colour and tone, particularly in light coloured veneers. Luziferlamps S.L. will not be held responsible for this.

PROTECTIVE FILMS: Don't forget to remove all protective films from the acrylic surfaces of your lamp.

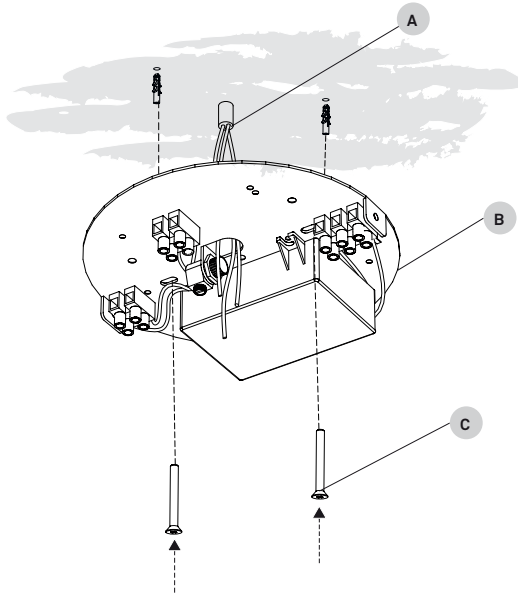
MORE INFO:

<http://www.lzf-lamps.com/guarantee/>



ASSEMBLY INSTRUCTIONS

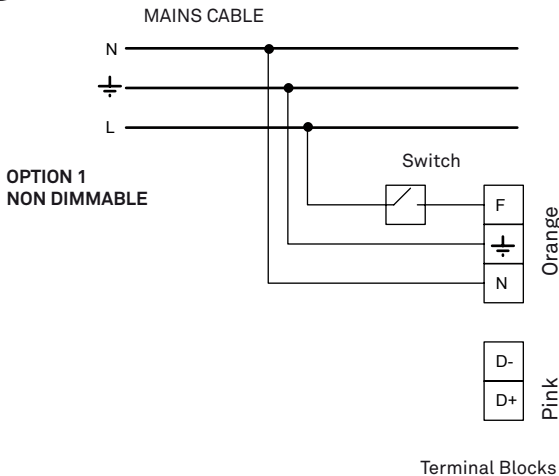
1



1. The canopy is made up of a back plate with the electrical connections on it and a front cover.

Feed the electrical wires (A) from the mains through the electrical back plate (B), fix back plate to the ceiling with the screws (C) and prepare to wire up.

2



2. MAINS CONNECTION OPTIONS

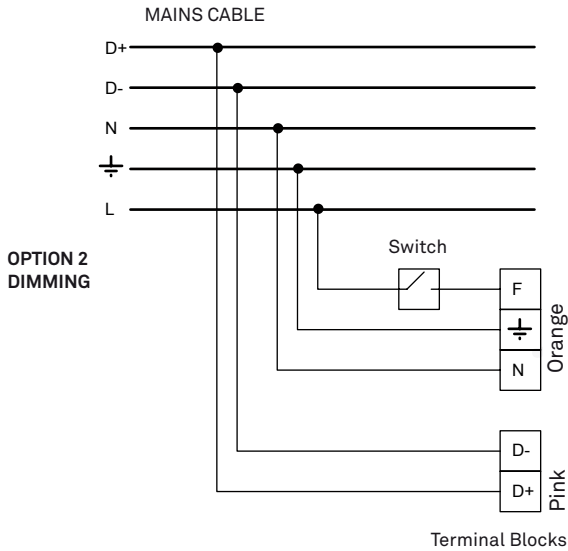
Turn off the mains before installing the lamp. Connect the lamp to the mains as follows.

OPTION 1: NON DIMMABLE

You should have a three wire cable coming from the mains. Connect poles N and GND (\perp) as shown in the terminal block Orange. Connect the line (L) that goes through the switch installation to the pole F (terminal block Orange).

Poles D- and D+ are not used.

ASSEMBLY INSTRUCTIONS



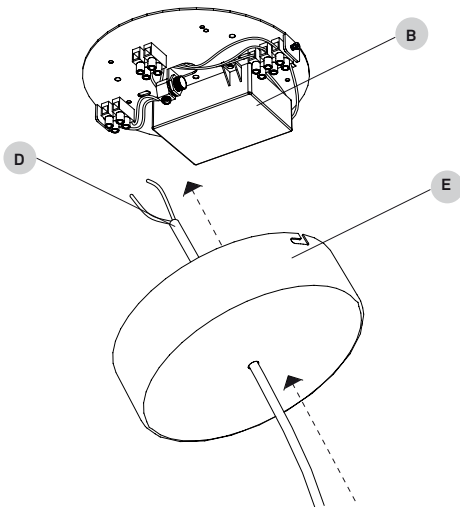
OPTION 2: DIMMING

You should have a five wire cable coming from the mains.

Connect poles **N** and **GND** (⏏) as shown in the terminal block Orange. Connect the line (L) that goes through the switch installation to the pole **F** (terminal block Orange).

After connecting the mains wires to the terminal block take the other two wires (the +/- dimming controls) and connect them to the dimming terminal block (terminal block Pink).

3



3. Now take the 2 cables coming from the lamp (D), and feed them through the canopy cover (E) and make the connections to the driver in the canopy (B) as indicated at point 4.

BLUE V-
BROWN V+



GENERAL CARE INSTRUCTIONS

Use and care of your lamp.

You have just purchased an original handmade product by LZf. Your lamp is made out of FSC® certified natural wood veneer treated with our patented finish, Timberlite®.

This treatment both protects and safeguards the wood veneer against breakages.

Depending on the type of lamp use a feather duster, soft cleaning cloth or damp cloth for cleaning. On our more delicate shades, like those made from wood strips, a feather duster or an air blower is preferable. In our more solid shades a damp cloth may be used.

Clean only the flat surface of the veneer with the cloth, and please avoid any moisture contact along the edge of the veneer.

Acrylic Diffusers

The acrylic diffusers on your lamp can be cleaned with a regular window cleaning spray and a soft cloth. Do not use solvents of any kind.

Integrated LED

All LEDs are included in your lamp. Never touch the LED surface with your bare hands as this may reduce the life of your LED.

Precautions

Luminaire for indoor use only.

Avoid direct sunlight, strong indirect sunlight and moisture on your lamp. Unplug the lamp before cleaning or changing the light bulb. Servicing or manipulation of the electrical installation should only be performed by qualified electrical personnel or by the LZf service department.

REV.07-2019

D88_381



© Luzifertamps, S.L

All rights reserved.

Valencia, Spain. 2018

www.lzf-lamps.com

support@lzf-lamps.com