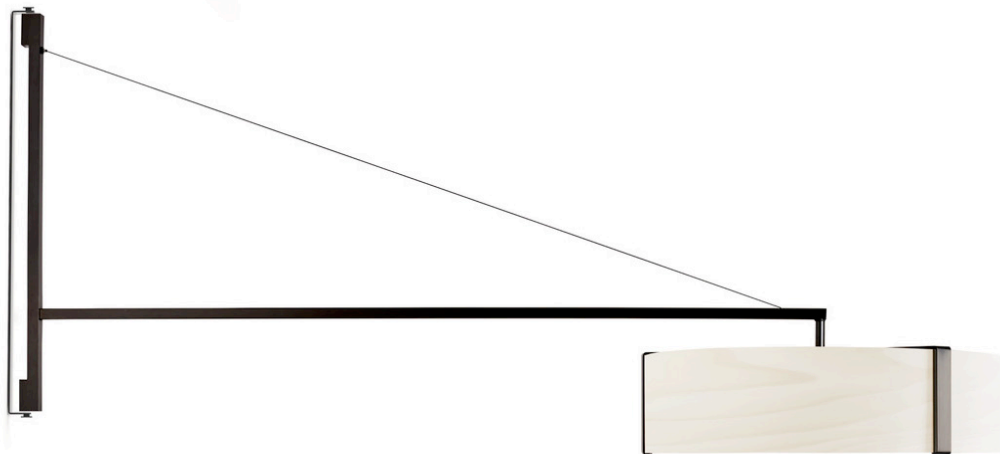


SET UP

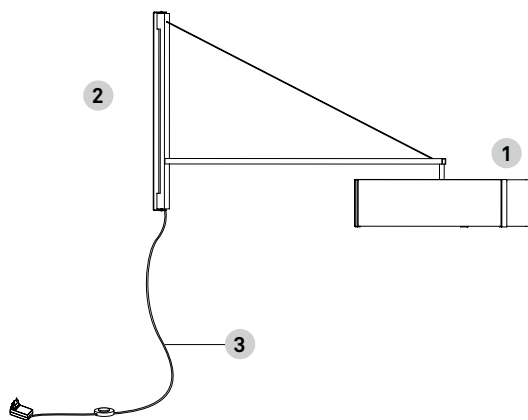


lzf

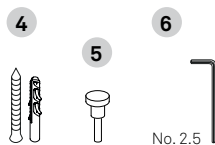
THESIS

THESIS A UL

CONTENTS



1 Shade	1 un.
2 Metal arm	1 un.
3 Electrical cable	1 un.
4 Screws & wall plugs	2 un.
5 Flat head screws for back plate	2 un.
6 Allen key No.2.5	1 un.



TECHNICAL SPECIFICATIONS

Integrated LED



Led Module 24V
230V: Dimmable
25 W 50-60Hz

230V

WEIGHT

Net 6,2 Lb

WARNINGS

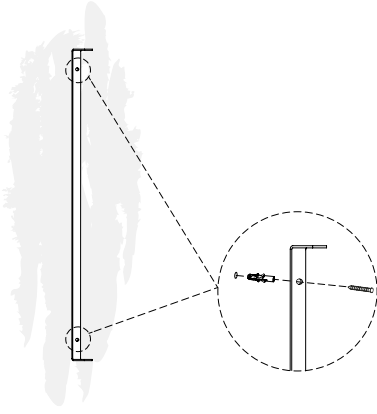
WOOD VENEER: Due to the natural nature of the material sometimes one may note slight undulations in the wood veneer. This is a natural reaction to humidity or different climatic conditions and should go away with use. Since wood is a natural material, a gradual change in tone may occur over time. Furthermore, if the lamps have been purchased at different times, there will be differences in colour and tone, particularly in light coloured veneers. Luziferlamps S.L. will not be held responsible for this.

MORE INFO:
<http://www.lzf-lamps.com/guarantee/>



ASSEMBLY INSTRUCTIONS

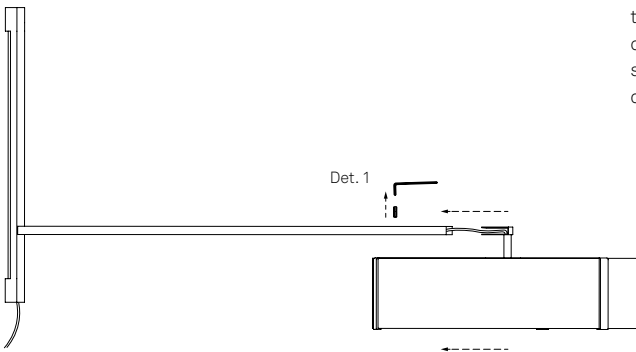
1



1. -Take the wall mount out of the box leaving the lamp and arm in the box for the moment.

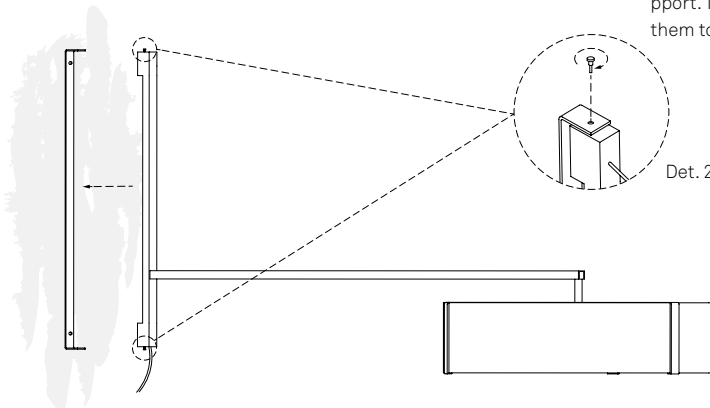
-Use the wall support to mark the holes you need to drill in the wall. After fixing the back plate to the wall you are ready to connect the arm and shade.

2



2 - Push the shade into the open end of the arm of the fixture. To do this you will first need to remove the cable trap screw (Det. 1) found on the upper side of the arm above the shade so that when you put in the shade the cable can go into the arm.

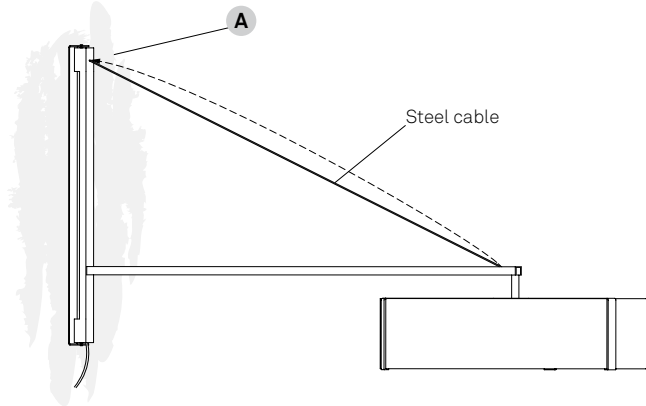
3



3- Now you must fix the arm to the wall support. Take the two flat head screws and use them to mount the lamp to the support. Det. 2.

ASSEMBLY INSTRUCTIONS

4



4 - Now that your arm and shade is mounted it is time to put in the aircraft cable support wire.

- At one end of the aircraft cable you will find a moulded metal ball.

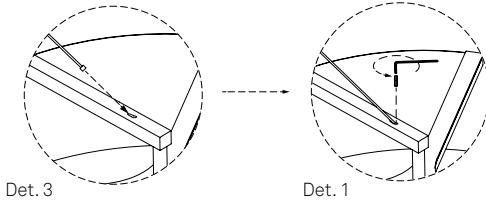
- This end of the cable must be inserted into a keyhole support hole in the top side of the arm above the shade. Det.3

- To do this you must first remove the locking screw which is in the keyhole. This screw doubles as a cable trap to secure your electrical cable in place.

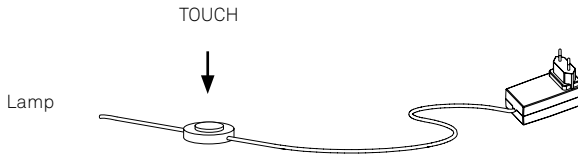
- Once the aircraft cable is in the hole, screw in the cable trap and tighten using the allen key, Det.1

- Now feed the the other end of the aircraft through the one way cable trap at the top of the verticle wall base (A)

- Cut off the excess cable after you have pulled it tight through the one way trap at the top of the wall support.



5



ON/OFF: Quick pulse (less than 1 sec.)

Dimming MIN/MAX: Continuous pressure.

Dimming is memorized on last setting. This lamp dims to warm, which means the lower

the te intensity of the light the warmer the light source.

GENERAL CARE INSTRUCTIONS

Use and care of your lamp.

You have just purchased an original handmade product by LZf. Your lamp is made out FSC® certified natural wood veneer treated with our patented finish, Timberlite®.

This treatment both protects and safeguards the wood veneer against breakages.

Depending on the type of lamp use a feather duster, soft cleaning cloth or damp cloth for cleaning. On our more delicate shades, like those made from wood strips, a feather duster or an air blower is preferable. In our more solid shades a damp cloth may be used.

Clean only the flat surface of the veneer with the cloth, and please avoid any moisture contact along the edge of the veneer.

Acrylic Diffusers

The acrylic diffusers on your lamp can be cleaned with a regular window cleaning spray and a soft cloth. Do not use solvents of any kind.

Metallic Surfaces

The metallic surfaces should be treated with care and cleaned with a soft damp cloth only. Make sure that moisture does not penetrate joins or junctions between metal parts. Do not use solvents of any kind.

Integrated LED

All LEDs are included in your lamp. Never touch the LED surface with your bare hands as this may reduce the life of your LED.

Precautions

Luminaire for indoor use only.

Avoid direct sunlight, strong indirect sunlight and moisture on your lamp. Unplug the lamp before cleaning or changing the light bulb. Servicing or manipulation of the electrical installation should only be performed by qualified electrical personnel or by the LZf service department.

