

LED Lamp Wall Sconce

EW3406
INSTALLATION SHEET

START FROM HERE

- Make sure **POWER** is **COMPLETELY OFF** at the fuse box
- Have your fixture installed by a qualified licensed electrician
- Prepare everything in a clear area
- Wear gloves at all time during this installation
- Read instructions carefully before you start assembly
- Keep this installation sheet for future reference

Technical Support: 1-855-855-8926

Please Note:

- This Kuzco LED fixtures come with pre-wired LED module(s)
- Unless instructed, Do Not touch any part of the LED module(s) as any unnecessary contact with the module could cause permanent damage
- Use ELV (Electronic Low Voltage) type of dimmer for dimming application

1. Remove the fixture from its original packaging. Remove the mounting plate (**2b**) from within the canopy backplate (**1d**) and attach it to the electrical junction box (**2d**), using the screws (**2a**) provided in the hardware package.

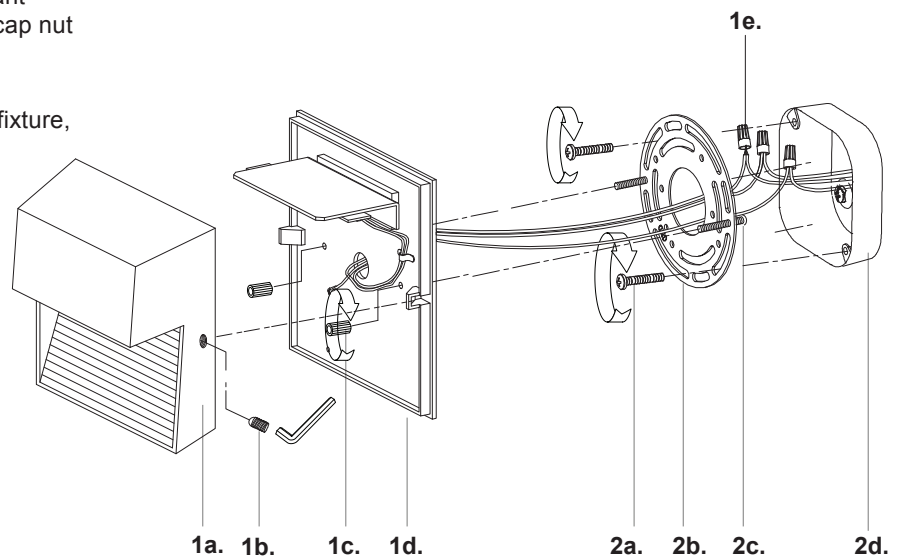
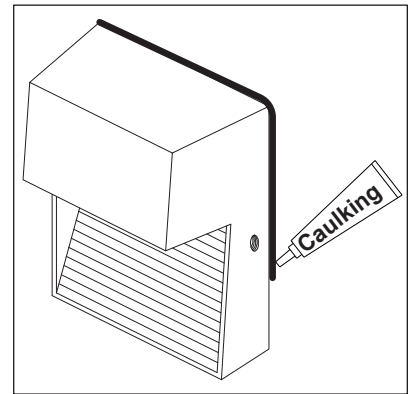
2. Attach the canopy backplate to the mounting plate, which is attached to the electrical junction box on the wall. First attach all wiring (**1e**) with the provided marrets (white to white "N", black to black "L", ground to ground "G"). Now place the canopy backplate (**1d**) onto the mounting plate (**2b**). As you place the canopy backplate (**1d**) align the holes to the screws (**2c**) on the mounting plate. Next, thread the round nuts (**1c**) to the mounting plate screws (**2c**) this will secure the fixture to the wall.

4. Next, place the fixture (**1a**) over the canopy backplate (**1d**) and secure with set screws (**1b**) both sides using the Allen Key provided.

3. To prevent moisture from entering the outlet box and causing a short, seal around the top and side perimeter between the fixture and the wall surface with weather resistant caulking (**see illustration 3**). The space at bottom should be left un-caulked to prevent moisture build-up. Apply a small amount of weather resistant caulking around the side perimeter between the cap nut and mounting plate.

4. You have now completed the installation of your fixture, please enjoy.

Illustration 3.



KUZCO

19054 28th Avenue Surrey, BC Canada V3S 6M3
T: 604 538 7162 TF: 1-855 85 KUZCO F: 604 538 7196
W: kuzcolighting.com
20190814