

# LED Round Single Pendant

**402801**  
INSTALLATION SHEET

## START FROM HERE

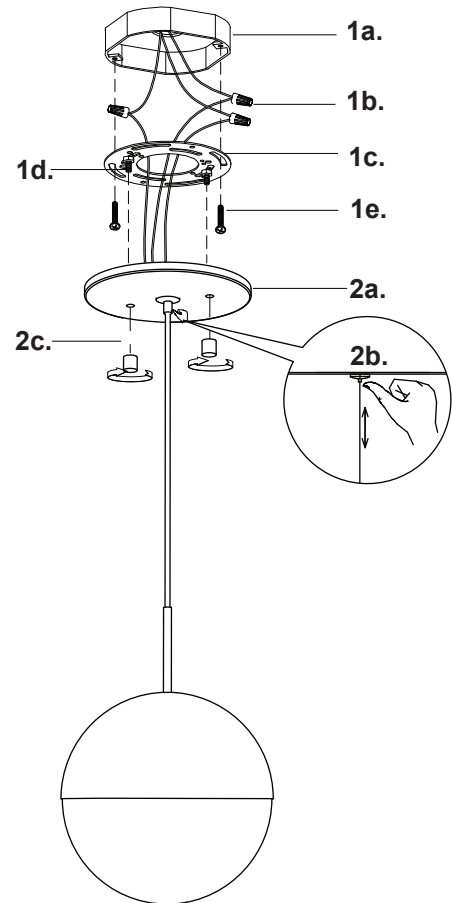
- Make sure power is completely off at the fuse box.
- Have your fixture installed by a qualified licensed electrician
- Prepare everything in a clear area.
- Wear gloves at all times during this installation.
- Read instructions carefully before you start assembly.
- Keep this instruction sheet for future reference.

**Technical Support:** 1-877-452-6858

## Please Note:

- All Kuzco LED fixtures come with pre-wired LED module(s).
- Unless instructed to do so, please do not touch any part of the LED module(s) as any unnecessary contact with the module could cause permanent damage.
- For dimming, an ELV (Electronic Low Voltage) type of dimmer is required.

- 1.** Remove the fixture from its original packaging. Next, remove the canopy mounting plate (**1c**) from within the canopy (**2a**) by removing the two decorative nuts (**2c**).
- 2.** Using the screws (**1e**) provided in the hardware package secure the mounting plate (**1c**) (with canopy screws pointing downward) to the junction box (**1a**). To set the fixture hanging height, simply push in the sleeve (**2b**) at the canopy where the wire comes out from. When you have selected your desired length, just release the sleeve and the wire will be held tightly in place.
- 3.** You are now ready to mount the canopy to the mounting plate. First connect all wires (**1b**) correctly black to black "L", white to white "N" and the ground wire with provided marrets from the hardware package. Align the two screws (**1d**) hanging downward from the mounting plate (**1c**) to the two holes inside the canopy (**2a**). Push the canopy up towards the ceiling so the screws (**1d**) point through the holes in the canopy (**2a**). Next, screw on the two decorative nuts (**2c**) onto the two screws (**1d**) pointing through the canopy, this will secure the canopy to the mounting plate.
- 4.** You have now completed the installation of your fixture, please enjoy.



**KUZCO**  
LIGHTING

19054 28th Avenue Surrey, BC Canada V3S 6M3  
T: 604 538 7162 TF: 1-855 85 KUZCO F: 604 538 7196  
W: kuzcolighting.com  
20160427