

Ceiling LED Chandelier

CH51232
INSTALLATION SHEET

START FROM HERE

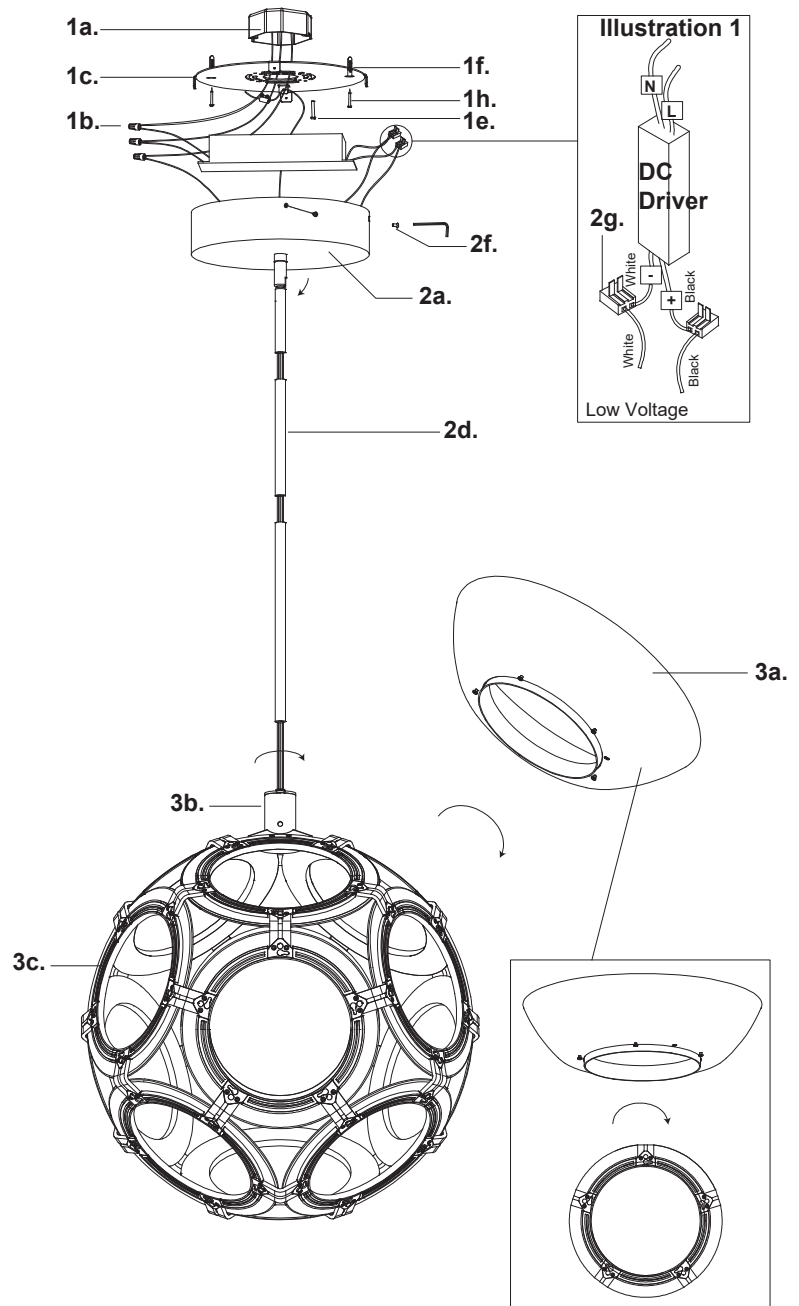
- Make sure **POWER** is **COMPLETELY OFF** at the fuse box
- Have your fixture installed by a qualified licensed electrician
- Prepare everything in a clear area
- Wear gloves at all times during this installation
- Read instructions carefully before you start assembly
- Keep this installation sheet for future reference

Technical Support: 1-855-855-8926

Please Note:

- This Kuzco LED fixture comes with pre-wired LED module(s)
- Unless instructed, Do Not touch any part of the LED module(s) as any unnecessary contact with the module could cause permanent damage
- Use ELV (Electronic Low Voltage) or TRIAC type of dimmer for dimming application

1. Remove fixture from its original package.
2. Separate mounting plate (1c) from canopy (2a) by removing canopy screws with allan key (2f).
3. Attach mounting plate (1c) to electrical junction box (1a) using screws provided (1e) in hardware package.
4. Secure mounting plate (1c) to mounting surface with anchors (1f) and screws (1h).
5. Determine hanging height of fixture by securing rods (2d) to canopy (2a) and fixture body (3b).
6. Make proper electrical connections (black to hot "L", white to neutral "N", negative (black), positive (red) with wire nuts (1b) provided in hardware package).
7. Pull the wires into the canopy, connect the wires to the DC driver by using the wire connector (2g) provided. Black to black and white to white (See **Illustration 1** and refer to the diagram on the driver).
8. Secure canopy (2a) to mounting plate (1c) with canopy screws (2f).
9. Twist in fixture shades (3a) onto fixture mounting plate (3c).



KUZCO

19054 28th Avenue Surrey, BC Canada V3Z 6M3
T: 604 538 7162 TF: 1-855 85 KUZCO F: 604 538 7196
W: kuzcolighting.com
20200807