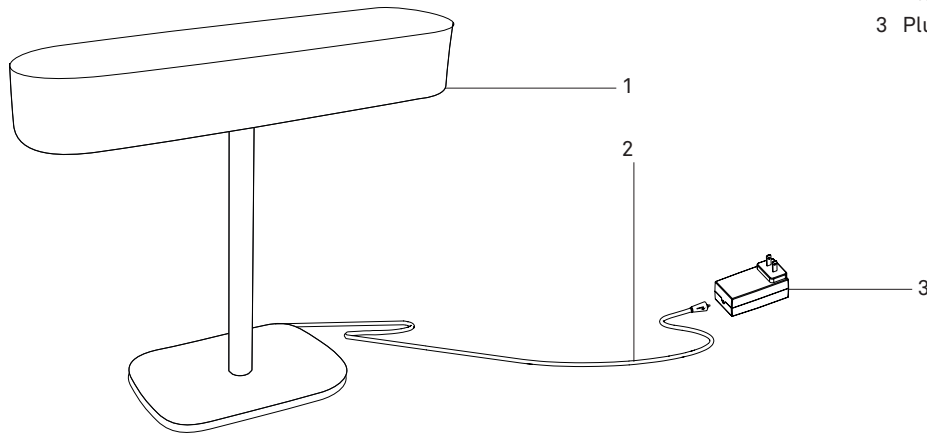


I-CLUB

I M UL | SET UP



CONTENTS



- | | |
|----------------------|-------|
| 1 Luminaire | 1 un. |
| 2 Electrical cable. | 1 un. |
| 3 Plug-in led driver | 1 un. |

TECHNICAL SPECIFICATIONS

Integrated LED

 **Linear Strip**
24 V

Input voltage 24V 
18 W



WEIGHT

Net Weight	3,7 Lb
Gross Weight	8,8 Lb

WARNINGS

Before assembly and installing this product, carefully read the following:

Turn off the mains before installing the lamp. Dry location only. This lamp is for indoor use only.

IMPORTANT.

Luziferlamps S.L. provides ceiling anchor templates for your luminaires. In case these templates are not used, LZf shall not be responsible for any possible incidents/ or complaints.

WOOD VENEER: Due to the natural nature of the material sometimes one may note slight undulations in the wood veneer. This is a natural reaction to humidity or different climatic conditions and should go away with use. Since wood is a natural material, a gradual change in tone may occur over time. Furthermore, if the lamps have been purchased at different times, there will be differences in colour and tone, particularly in light coloured veneers. Luziferlamps S.L. will not be held responsible for this.

INSTALLATION TIP: Make sure that the seam on your lamp shade is facing away from the main view of the fixture.



PROTECTIVE FILMS: Don't forget to remove all protective films from the acrylic surfaces of your lamp.

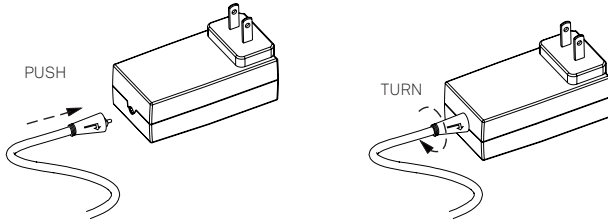
MORE INFO:
<http://www.lzf-lamps.com/guarantee/>





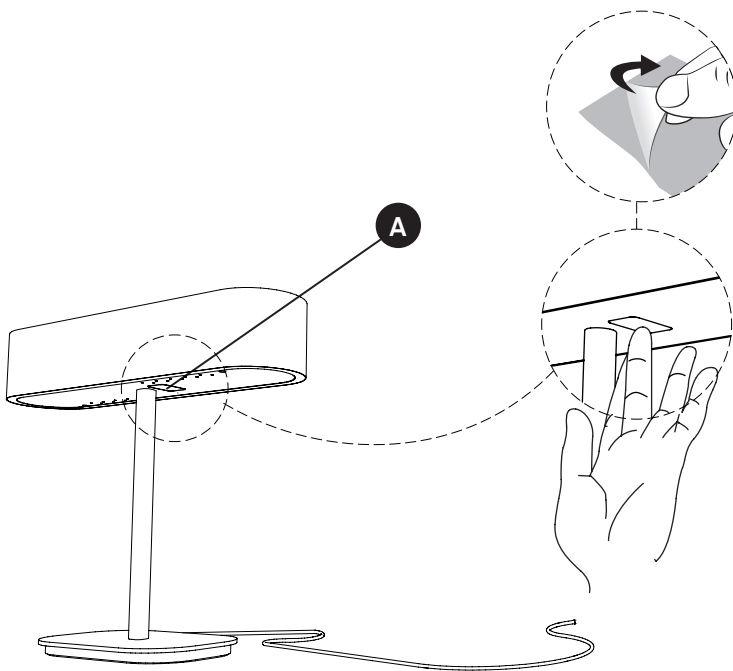
ASSEMBLY INSTRUCTIONS

1.



1. Plug-in led driver assembling.

2.



2. Touch sensor dimming (A). On-off-dimming.

- Remove film with text "SWITCH+DIMMER"
- One touch on the sensor (A) to turns it on.
- Touch again to turn off.
- Touch and hold to dim up or down. Release when you have reached the required level.

© Luziferlamps, S.L.
 Valencia, Spain. 2018.
 All rights reserved.
 www.import-ent.com
 support@import-ent.com

GENERAL CARE INSTRUCTIONS

REV.01-2019

D38_362

Use and care of your lamp.

You have just purchased an original handmade product by LZF. Your lamp is made out FSC® certified natural wood with our patented veneer finish Timberlite®. This treatment both protects and safeguards the wood veneer against breakages.

Depending on the type of fixture use a feather duster, soft cleaning cloth or damp cloth for cleaning. On our more delicate shades, like those made from wood strips, a feather duster or an air blower is preferable. In our more solid shades a damp cloth may be used. Clean only the flat surface of the veneer with the cloth, and please avoid any moisture contact along the edge of the veneer.

Acrylic Diffusers

The acrylic diffusers on your lamp can be cleaned with a regular window cleaning spray and a soft cloth. Do not use solvents of any kind.

Integrated LED

All LEDs are included in your lamp. Never touch the LED surface with your bare hands as this may reduce the life of your LED.

Precautions

Luminaire for indoor use only.

Avoid direct sunlight, strong indirect sunlight and moisture on your lamp. Unplug the lamp before cleaning or changing the light bulb. Installation of the fixture should only be performed by qualified electrical personnel or by the LZF service department.