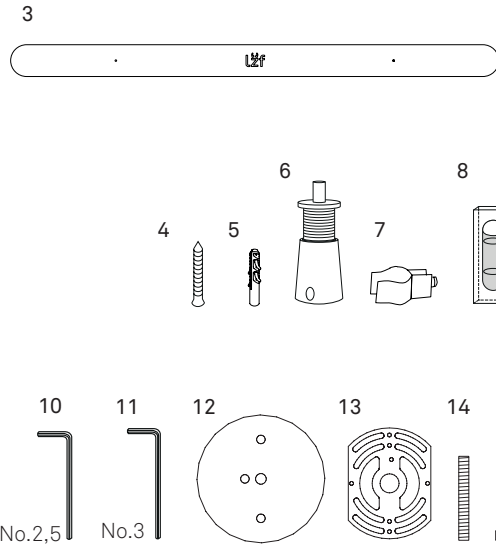
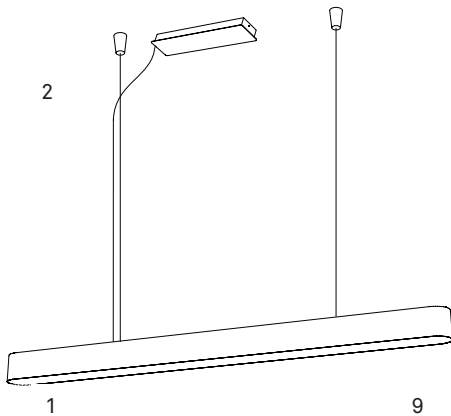




I-CLUB SLIM

I SSL LED UL | SET UP

CONTENTS



1 Shade.	1 un.
2 Canopy.	1 un.
3 Drill template.	1 un.
4 Screws	2 un.
5 Wall plugs	2 un.
6 Ceiling cones	2 un.
7 Cable clip	1 un.
8 Level.	1 un.
9 Allen key N°2	1 un.
10 Allen key N°2,5	1 un.
11 Allen key N°3	1 un.
12 Circular disc	1 un.
13 Back plate	1 un.
14 Screws	2 un.
15 Spherical nuts	2 un.

TECHNICAL SPECIFICATIONS

Integrated LED



Linear Module
5 x 5,5W - 350mA
120-277V 60Hz ~
25W

120 - 277V



WEIGHT

Net Weight	9 Lb
Gross Weight	25,4 Lb

WARNINGS

Before assembly and installing this product, carefully read the following:

Turn off the mains before installing the lamp. Dry location only. This lamp is for indoor use only.

IMPORTANT.

Luziferlamps S.L. provides ceiling anchor templates for your luminaires. In case these templates are not used, LZf shall not be responsible for any possible incidents/ or complaints.

WOOD VENEER: Due to the natural nature of the material sometimes one may note slight undulations in the wood veneer. This is a natural reaction to humidity or different climatic conditions and should go away with use.

Since wood is a natural material, a gradual change in tone may occur over time. Furthermore, if the lamps have been purchased at different times, there will be differences in colour and tone, particularly in light coloured veneers. Luziferlamps S.L. will not be held responsible for this.

INSTALLATION TIP: Make sure that the seam on your lamp shade is facing away from the main view of the fixture.



PROTECTIVE FILMS: Don't forget to remove all protective films from the acrylic surfaces of your lamp.

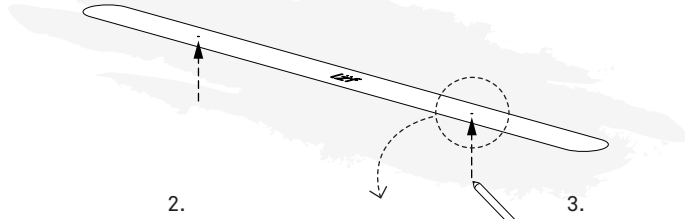
MORE INFO:
<http://www.lzf-lamps.com/guarantee/>





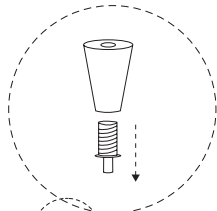
ASSEMBLY INSTRUCTIONS

1.

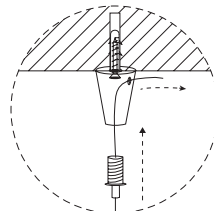
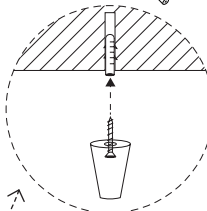


1. Mark on ceiling. Use the drill template to mark on the ceiling.

2.



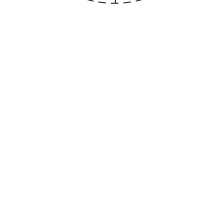
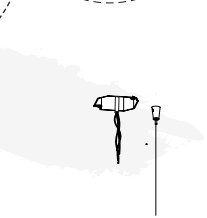
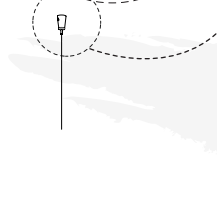
3.



2. Fix the cone to the ceiling in the position marked from the drill plate.

3. Take the steel cable from the lamp. It will have a nipple shaped cable trap at one end. Screw this into the suspension cone tightly. By pushing the nipple down you free the cable and can adjust it to the height desired. (when you release the nipple it will block the cable again).

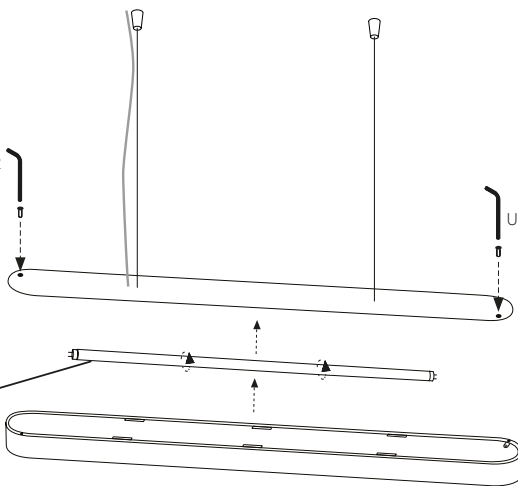
4.



4. Set the height and let the cables take the weight of the lamp. Level the lamp with the level supplied. Now you are ready to make the electrical connection.

5.

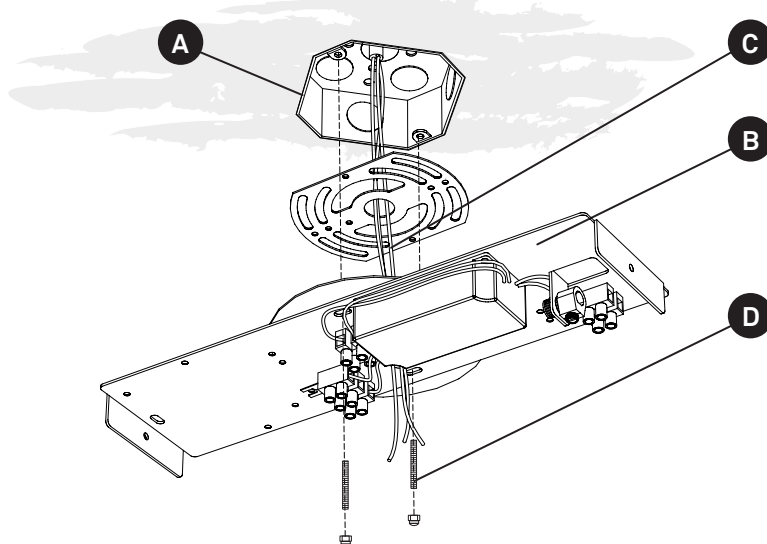
Use allen key No.2



Use allen key No.2

5. Fix the cover with the led modules to the fixtures. Don't touch the led modules.

6.

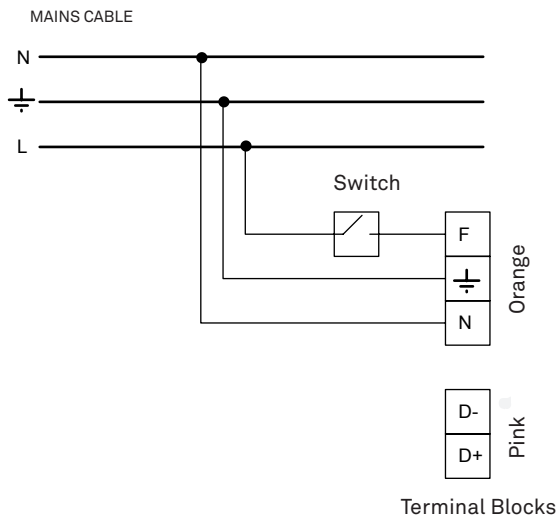


6. Feed the electrical wires (C) in through the electrical back plate (B), fix back plate to the junction box (A) with the screws and spherical nuts (D) and prepare to wire up the driver.



ASSEMBLY INSTRUCTIONS

7. **OPTION 1
NON DIMMABLE**

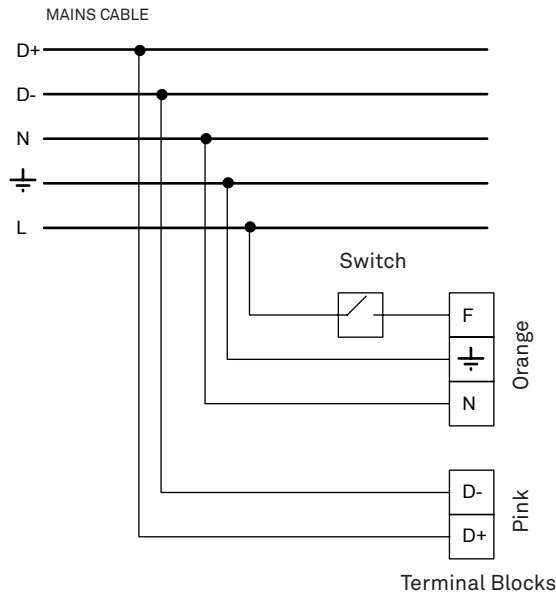


7. MAINS CONNECTION OPTIONS
Turn off the mains before installing the lamp.

Connect the lamp to the mains as follows.

OPTION 1: NON DIMMABLE
You should have a three cable coming from the mains. Connect poles **N** and **GND** (⊕) as shown in the terminal block Orange. Connect the line (L) that goes through the switch installation to the pole **F** (terminal block Orange). Poles D- and D+ are not used.

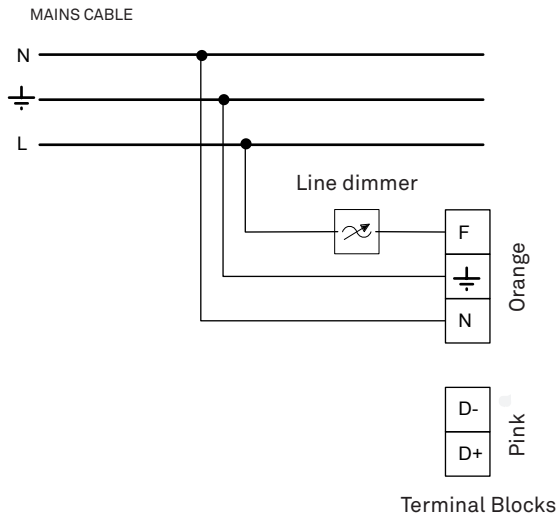
**OPTION 2
DIMMING**



OPTION 2: DIMMING
You should have a five cable coming from the mains. Connect poles **N** and **GND** (⊕) as shown in the terminal block Orange. Connect the line (L) that goes through the switch installation to the pole **F** (terminal block Orange).

After connecting the mains wires to the terminal block take the other two wires (the +/- dimming controls) and connect them to the dimming terminal block. (terminal block Pink).

**OPTION 3
LINE DIMMING**

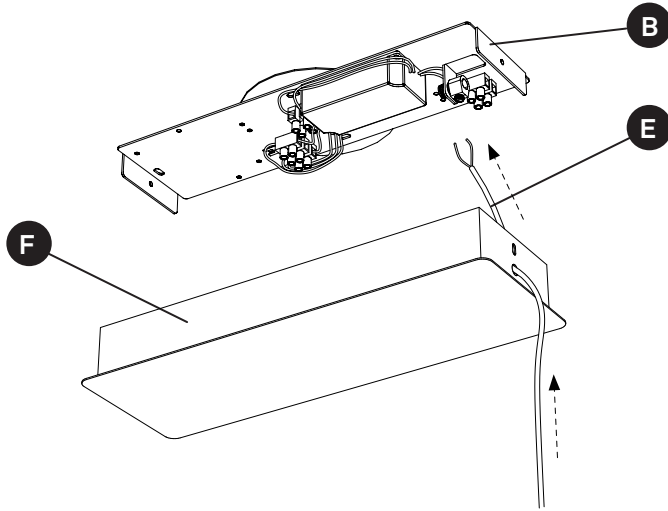


OPTION 3: LINE DIMMING
You should have a three cable coming from the mains. Connect poles **N** and **GND** (⊕) as shown in the terminal block Orange. Connect the line (L) to the pole **F** (terminal block Orange). Poles D- and D+ are not used.



ASSEMBLY INSTRUCTIONS

8.



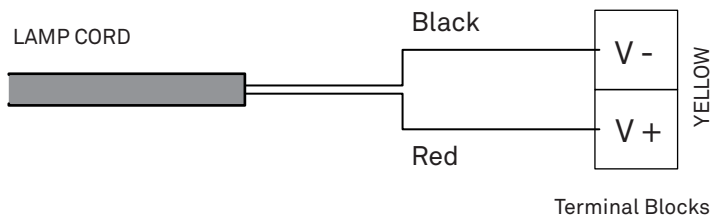
8. Now take the 2 cables coming from the lamp (E), and feed them through the canopy cover (F) and make the connections to the driver in the canopy (B) as indicated at point 9.

9.

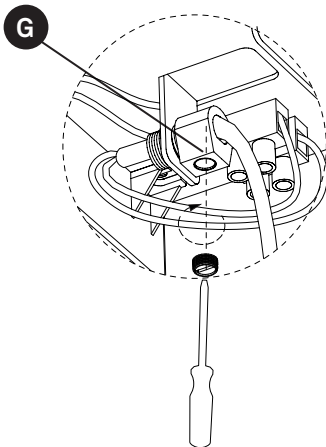
LAMP CONNECTION

9. LAMP CONNECTION

In the canopy (B) connect the electrical cable from the lamp to the terminal block indicated (Yellow).

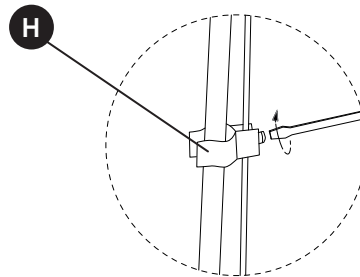


10.



10. Tighten the screw on the electrical cable trap (G).

11.



Once all your wiring is complete raise the canopy and screw on the canopy support screws that holds the cover in place.

11. Put on the cable clip (H) and clip it to the electrical cable.

12. Turn on the mains again.

© Luziferlamps, S.L.
Valencia, Spain. 2018.
All rights reserved.
www.import-ent.com
support@import-ent.com

GENERAL CARE INSTRUCTIONS

REV.05-2018

D38_312

Use and care of your lamp.

You have just purchased an original handmade product by LZF. Your lamp is made out FSC® certified natural wood with our patented veneer finish Timberlite®. This treatment both protects and safeguards the wood veneer against breakages.

Depending on the type of fixture use a feather duster, soft cleaning cloth or damp cloth for cleaning. On our more delicate shades, like those made from wood strips, a feather duster or an air blower is preferable. In our more solid shades a damp cloth may be used. Clean only the flat surface of the veneer with the cloth, and please avoid any moisture contact along the edge of the veneer.

Acrylic Diffusers

The acrylic diffusers on your lamp can be cleaned with a regular window cleaning spray and a soft cloth. Do not use solvents of any kind.

Integrated LED

All LEDs are included in your lamp. Never touch the LED surface with your bare hands as this may reduce the life of your LED.

Precautions

Luminaire for indoor use only.

Avoid direct sunlight, strong indirect sunlight and moisture on your lamp. Unplug the lamp before cleaning or changing the light bulb. Installation of the fixture should only be performed by qualified electrical personnel or by the LZF service department.