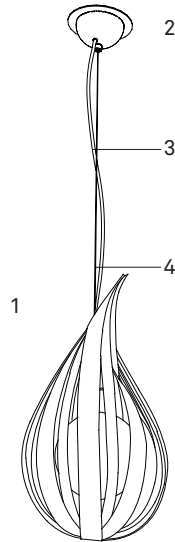




RAINDROP

RDROP SP - SM - SG UL | SET UP

CONTENTS



1 Shade.	1 un.
2 Canopy.	1 un.
3 Electrical cable & Lampholder.	1 un.
4 Steel cable.	1 un.
5 Cable clip.	1 un.
6 Stopper	1 un.
7 Glass ball	1 un.



TECHNICAL SPECIFICATIONS

Recommended bulb

120V G9 Base



LED Dimmable 1 x 5 W max.

120V



WEIGHT	SP	SM	SG
Net Weight	1,6 Lb	1,9 Lb	2,1Lb
Gross Weight	4,6 Lb	4,9 Lb	5,2Lb

WARNINGS / ADVERTENCIAS

Before assembly and installing this product, carefully read the following:

Antes de montar e instalar este producto lea atentamente:

Turn off the mains before installing the lamp. Dry location only. This lamp is for indoor use only.

WOOD VENEER: Since wood is a natural material, a gradual change in tone may occur over time. Furthermore, if the lamps have been purchased at different times, there will be differences in colour and tone, particularly in light coloured veneers. Luziferlamps S.L. will not be held responsible for this.

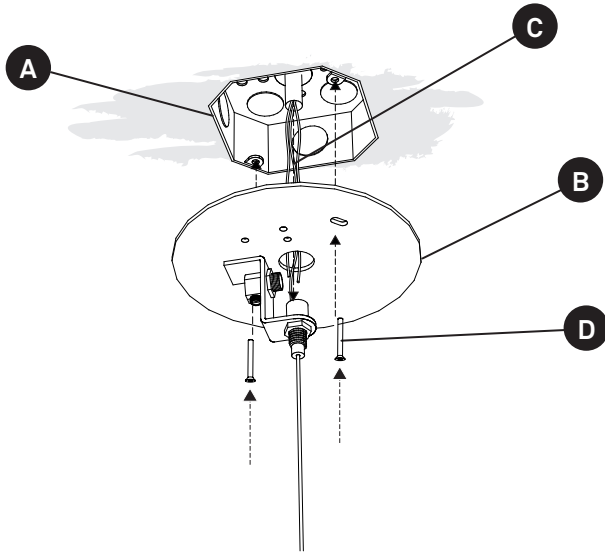
MORE INFO:
<http://www.lzf-lamps.com/guarantee/>





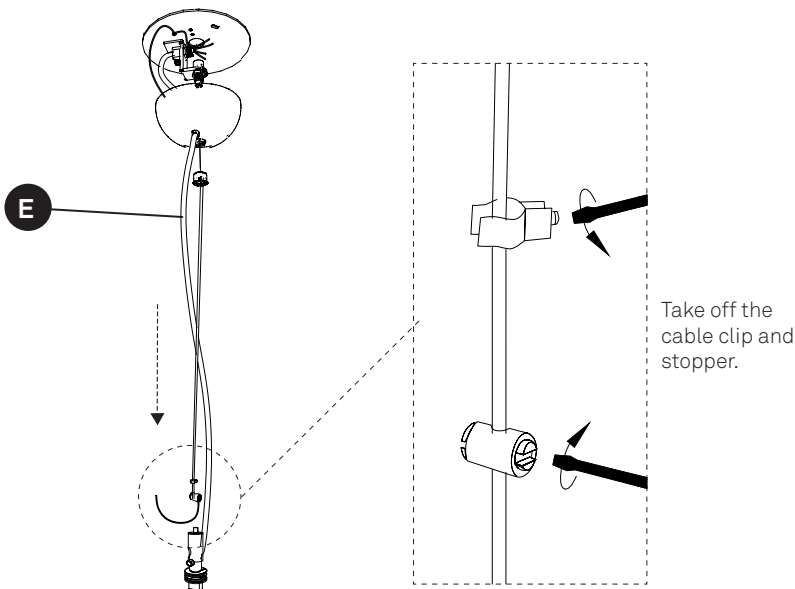
ASSEMBLY INSTRUCTIONS

1.



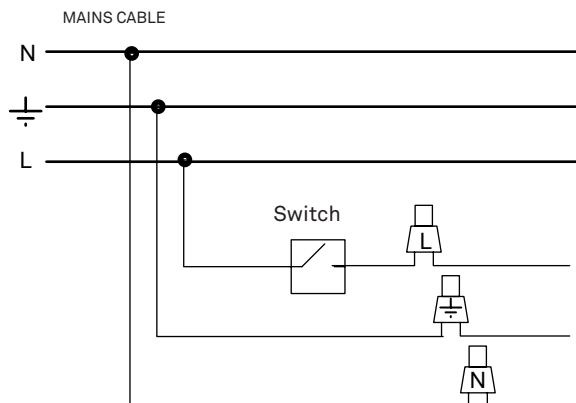
1. The canopy is made up of a back plate with the electrical connections on it and a semi spherical cover. Feed the electrical wires (C) from the mains through the back plate (B), fix back plate to the junction box (A) with the most adequate screws (D) (not supplied) and prepare to wire up.

2.



2. Adjust the height of your lamp by raising or lowering the electrical cable (E). Undo the steel cable and take off the cable clip and the stopper.

3.



3. CONNECTION

Turn off the mains before installing the lamp.

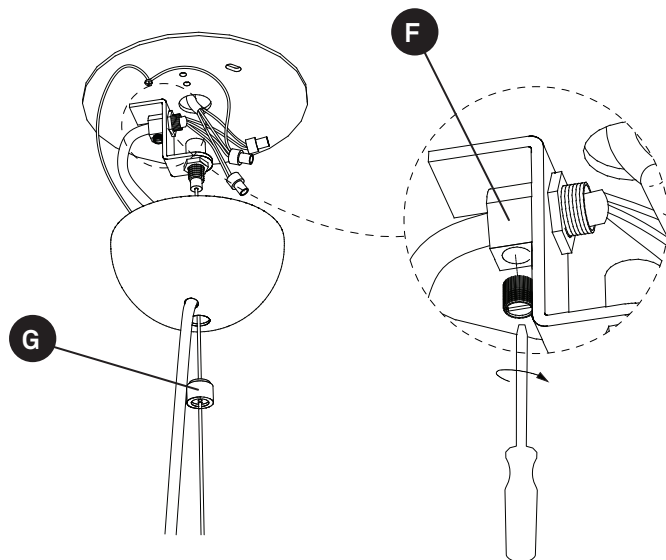
Connect the lamp to the mains as follows.

You should have a three wire cable coming from the mains, **N**, **L** and **GND** (⊥). Connect these to the cables of the same colour coming from the lamp.



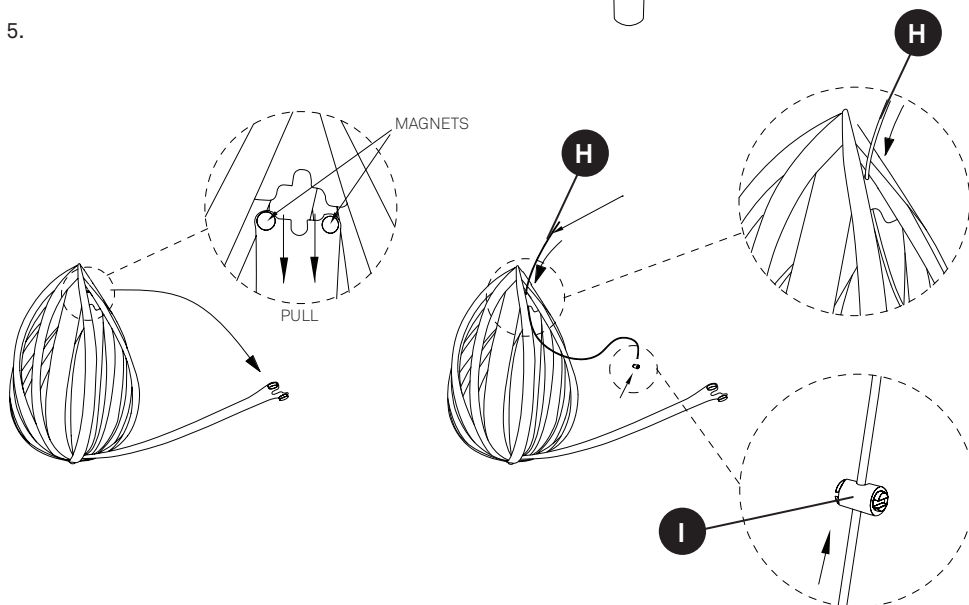
ASSEMBLY INSTRUCTIONS

4.



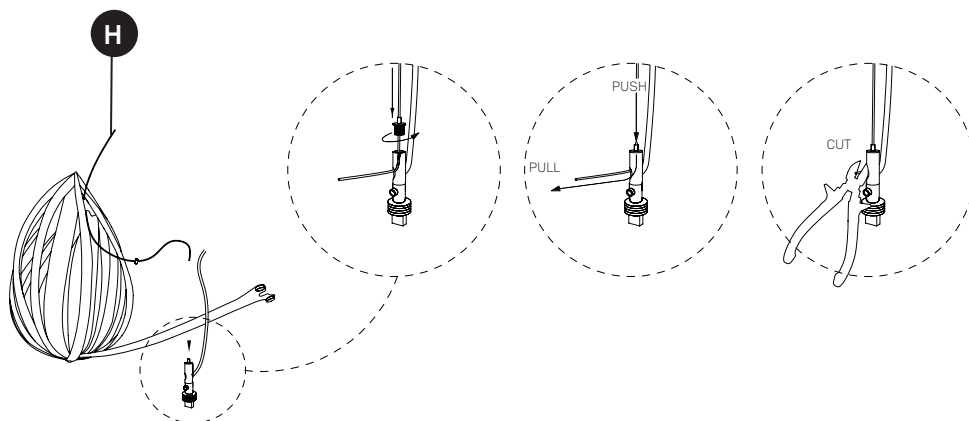
4. Tighten the screw on the electrical cable trap (F).
Once all your wiring is complete raise the canopy and screw on the canopy support nut (G) that holds the cover in place.

5.



5. Shade mount.
Open the shade. Put the steel cable (H) through the small hole in the veneer. Place the stopper (I) in the steel cable.

6.

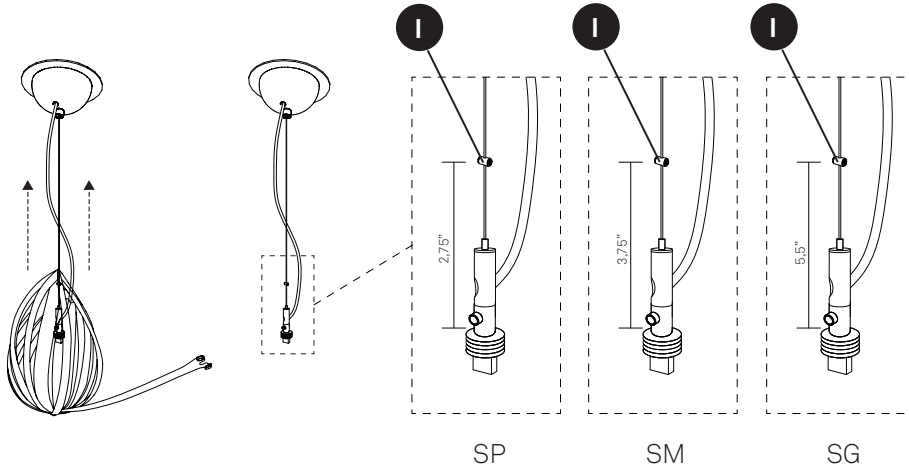


6. Push the steel cable (H) into the nipple of the suspension system. Adjust the height of your lamp by raising or lowering the stainless steel adjustment cable and cut off the excess.



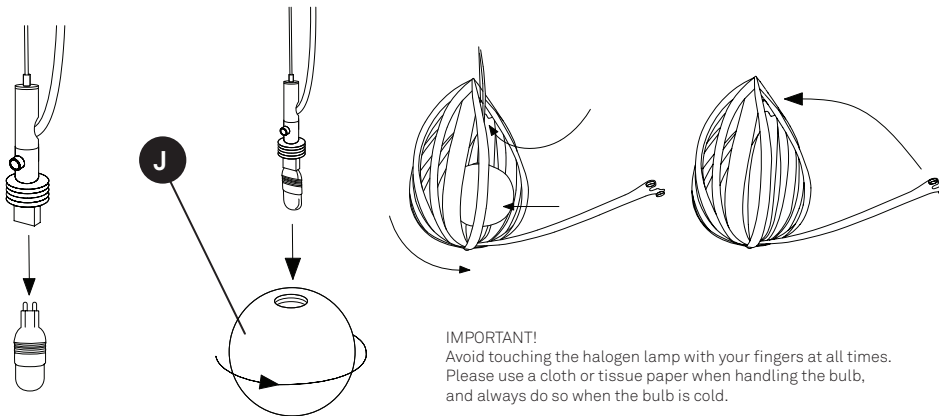
ASSEMBLY INSTRUCTIONS

7.



7. Place the stopper (I) at the specified height.

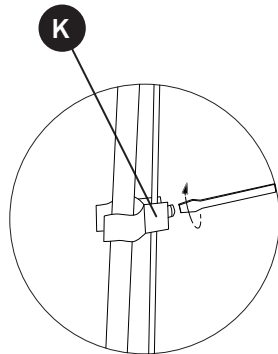
8.



8. Plug in the G9 lightbulb. Insert the G9 light bulb holder and screw the glass ball (J) onto it.

- SP - Ball ø 4"
- SM - Ball ø 5"
- SG - Ball ø 6"

9.



9. Put on the cable clip (H) and clip it to the electrical cable.

10. Turn on the mains again.

© Luziferlamps, S.L.
 Valencia, Spain. 2018.
 All rights reserved.
 www.lzf-lamps.com
 support@lzf-lamps.com

GENERAL CARE INSTRUCTIONS

REV.06-2018

D38_058

Use and care of your lamp.

You have just purchased an original handmade product by LZF. Your lamp is made out of FSC® certified natural wood veneer treated with our patented finish, Timberlite®. This treatment both protects and safeguards the wood veneer against breakages.

Depending on the type of lamp use a feather duster, soft cleaning cloth or damp cloth for cleaning. On our more delicate shades, like those made from wood strips, a feather duster or an air blower is preferable. In our more solid shades a damp cloth may be used.

Clean only the flat surface of the veneer with the cloth, and please avoid any moisture contact along the edge of the veneer.

Bulbs

Bulbs not included, unless indicated. We recommend using energy-saving light bulbs, like the CFL or LED bulbs. Please refer to the instruction manual or visit our website www.lzf-lamps.com to make sure you are using the best bulb for your type of lamp.

Precautions

Luminaire for indoor use only.

Avoid direct sunlight, strong indirect sunlight and moisture on your lamp. Unplug the lamp before cleaning or changing the light bulb.

Servicing or manipulation of the electrical installation should only be performed by qualified electrical personnel or by the LZF service department.