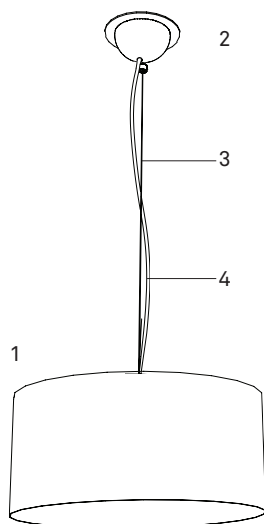


## GEA

GEA S UL | SET UP



### CONTENTS



1 Shade.	1 un.
2 Canopy.	1 un.
3 Electrical cable & Lampholder.	1 un.
4 Steel cable.	1 un.
5 Cable clip.	1 un.



### TECHNICAL SPECIFICATIONS

#### Recommended bulb

120V E26 Base



**CFL Spiral** 1 x 18 W max. or



**LED Globe** 1 x 15 W max. or

120V GU24 Base



**CFL Spiral** 1 x 18 W max. or



**LED A19** 1 x 15 W max. or

120-277V



#### WEIGHT

Net Weight 4,2 Lb

Gross Weight 9,3 Lb

### WARNINGS

Before assembly and installing this product, carefully read the following:

Turn off the mains before installing the lamp. Dry location only. This lamp is for indoor use only.

**WOOD VENEER:** Due to the natural nature of the material sometimes one may note slight undulations in the wood veneer. This is a natural reaction to humidity or different climatic conditions and should go away with use.

Since wood is a natural material, a gradual change in tone may occur over time. Furthermore, if the lamps have been purchased at different times, there will be differences in colour and tone, particularly in light coloured veneers. Luziferlamps S.L. will not be held responsible for this.

**INSTALLATION TIP:** Make sure that the seam on your lamp shade is facing away from the main view of the fixture.



**PROTECTIVE FILMS:** Don't forget to remove all protective films from the acrylic surfaces of your lamp.

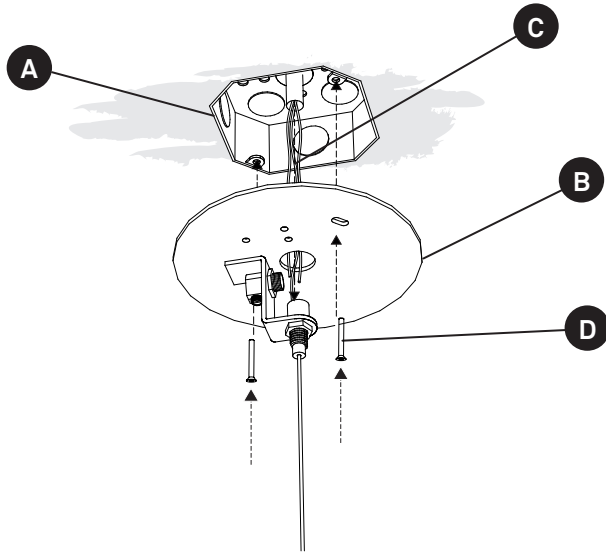
MORE INFO:  
<http://www.lzf-lamps.com/guarantee/>





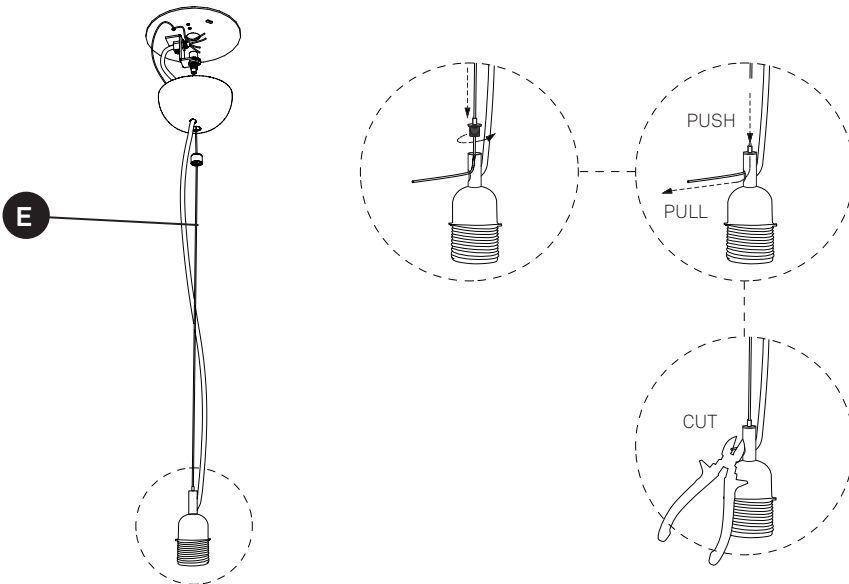
ASSEMBLY INSTRUCTIONS

1.



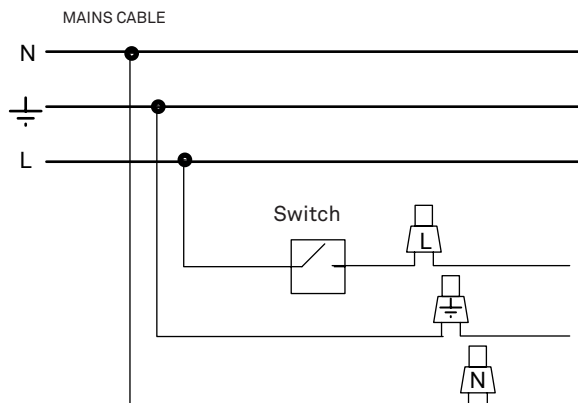
1. The canopy is made up of a back plate with the electrical connections on it and a semi spherical cover. Feed the electrical wires (C) from the mains through the electrical back box (A) with the most adequate screws (D) (not supplied) and prepare to wire up.

2.



2. Adjust the height of your lamp by raising or lowering the stainless steel adjustment cable (E) and cut off the excess.

3.



3. CONNECTION

Turn off the mains before installing the lamp.

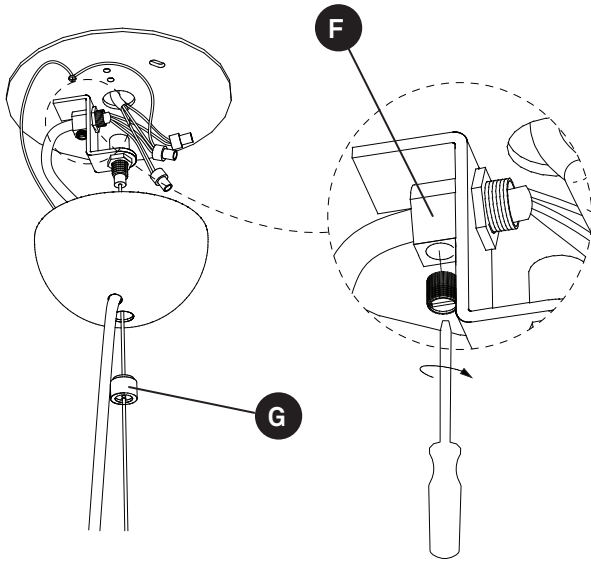
Connect the lamp to the mains as follows.

You should have a three wire cable coming from the mains, **N**, **L** and **GND** (⊥). Connect these to the cables of the same colour coming from the lamp.

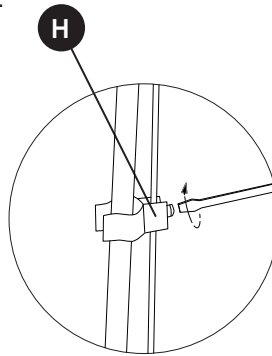


ASSEMBLY INSTRUCTIONS

4.



5.

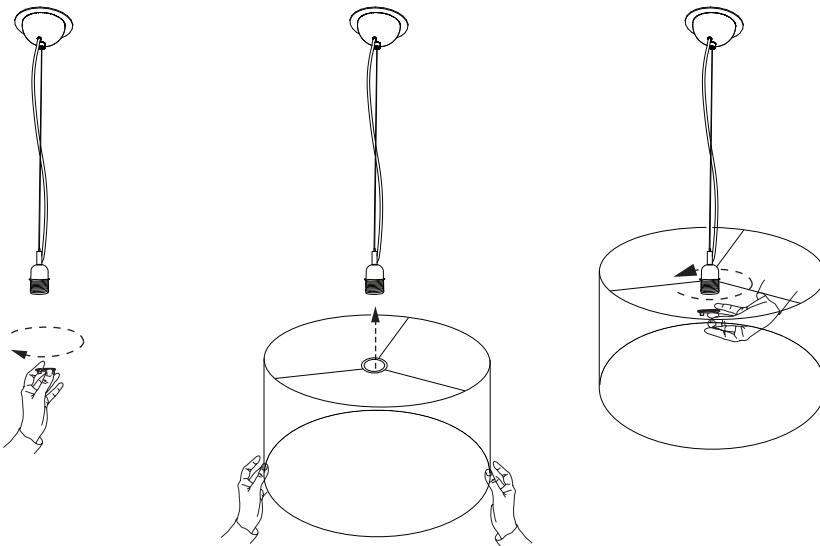


4. Tighten the screw on the electrical cable trap (F).

Once all your wiring is complete raise the canopy and screw on the canopy support nut (G) that holds the cover in place.

5. Put on the cable clip (H) and clip it to the electrical cable.

6.



6. Shade mount.

7. Install the bulb.

8. Turn on the mains again.

© Luziferlamps, S.L.  
Valencia, Spain. 2018.  
All rights reserved.  
www.import-ent.com  
support@import-ent.com

GENERAL CARE INSTRUCTIONS

REV.06-2018

D38\_069

Use and care of your lamp.

You have just purchased an original handmade product by LZF. Your lamp is made out of FSC® certified natural wood veneer treated with our patented finish, Timberlite®. This treatment both protects and safeguards the wood veneer against breakages.

Depending on the type of lamp use a feather duster, soft cleaning cloth or damp cloth for cleaning. On our more delicate shades, like those made from wood strips, a feather duster or an air blower is preferable. In our more solid shades a damp cloth may be used.

Clean only the flat surface of the veneer with the cloth, and please avoid any moisture contact along the edge of the veneer.

Acrylic Diffusers

The acrylic diffusers on your lamp can be cleaned with a regular window cleaning spray and a soft cloth. Do not use solvents of any kind.

Bulbs

Bulbs not included, unless indicated. We recommend using energy-saving light bulbs, like the CFL or LED bulbs. Please refer to the instruction manual or visit our website www.lzf-lamps.com to make sure you are using the best bulb for your type of lamp.

Precautions

Luminaire for indoor use only.

Avoid direct sunlight, strong indirect sunlight and moisture on your lamp. Unplug the lamp before cleaning or changing the light bulb.

Installation of the fixture should only be performed by qualified electrical personnel or by the LZF service department.