

# Essence Trio Suspension

700LSESN3\_ 1.0

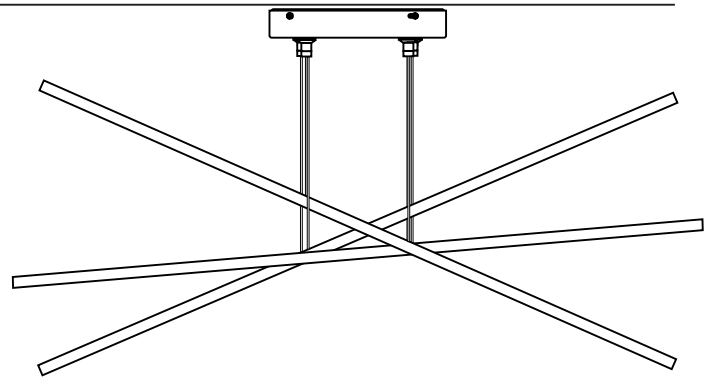


## GENERAL PRODUCT INFORMATION:



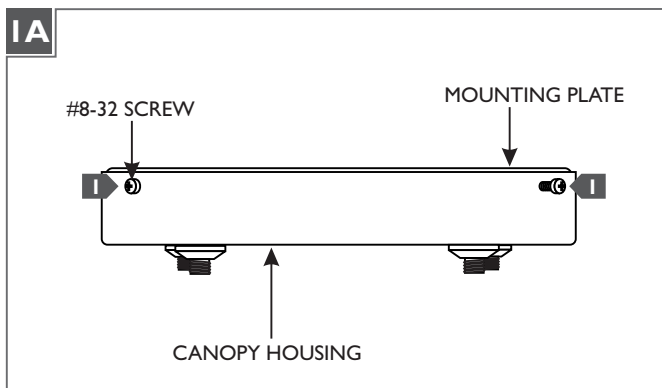
This product is suitable for indoor dry locations only.

This product can be dimmed with a low-voltage electronic dimmer.

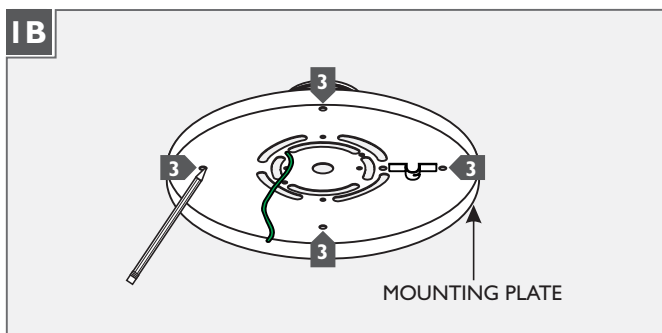


**CAUTION - RISK OF FIRE**  
 This product must be installed in accordance with the applicable installation code by a person familiar with the construction and operation of the product and the hazards involved.  
 Use minimum 90°C supply conductors.

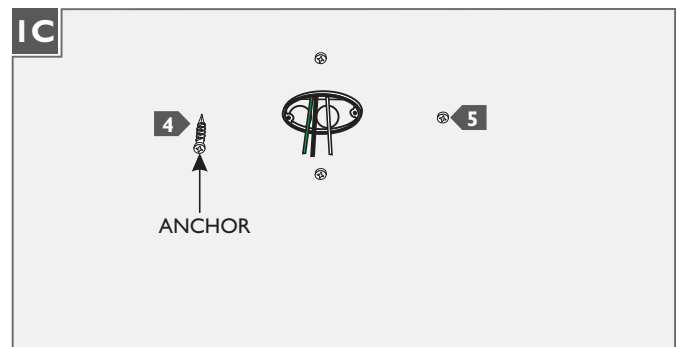
## Install the Canopy



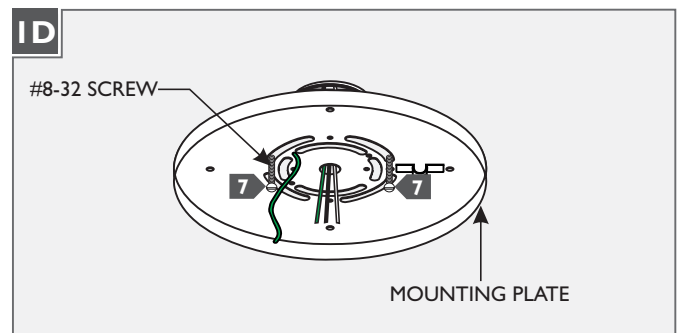
- 1 Remove the three #8-32 screws on the canopy housing.
- 2 Lift the mounting plate from the housing.



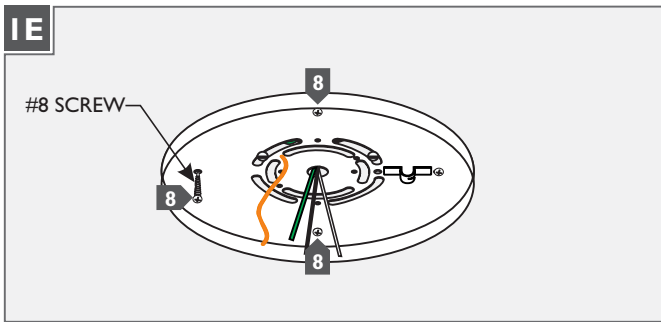
- 3 Align the mounting plate slots with the electrical box holes and mark four points onto the ceiling through the mounting holes.



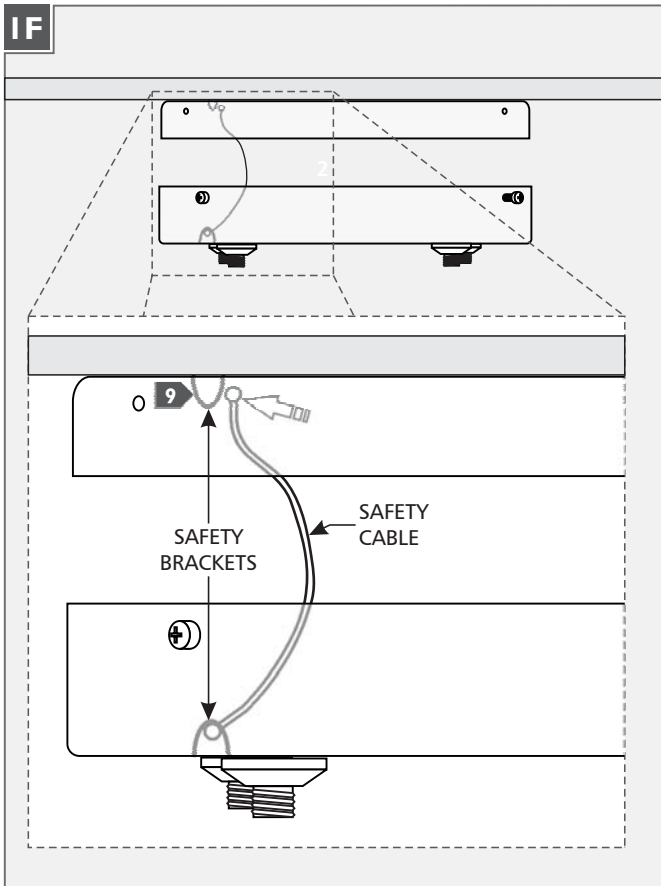
- 4 With a hammer tap the anchors at the marked points into the ceiling up to the threaded portion.
- 5 Screw the anchors in the rest of the way with a Phillips screwdriver.



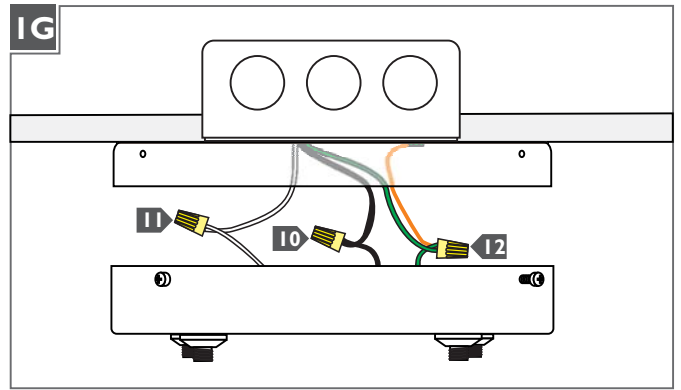
- 6 Feed the power line wires through the mounting plate center hole.
- 7 Line up the two mounting plate slots with the electrical box holes and use the two provided #8-32 screws to mount it to the electrical box.



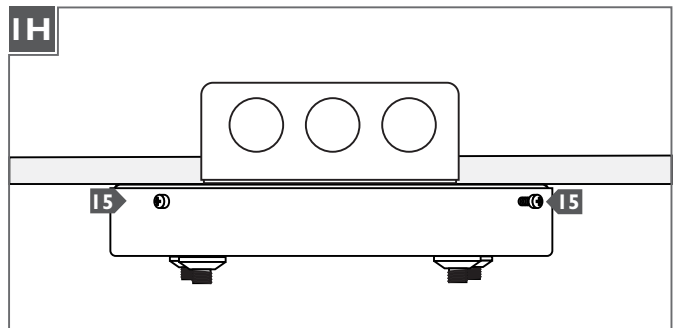
- 8** Secure the mounting plate to the four anchors with the four provided #8 screws.



- 9** Hook a safety cable through the safety brackets on each end of the canopy and backplate.

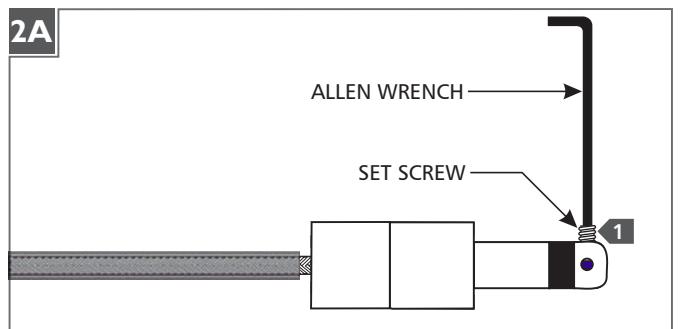


- 10** Connect the black fixture wire to the hot power line wire with a wire nut.
- 11** Connect the white fixture wire to the neutral power line wire with a wire nut.
- 12** Connect the canopy to a suitable ground in accordance with local electrical codes.

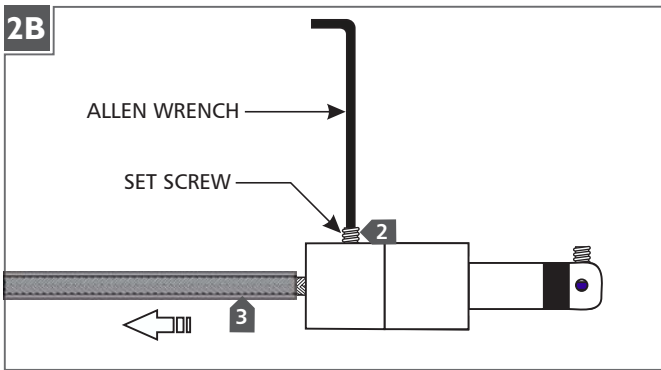


- 13** Place all wires and wire nut connections properly inside the housing.
- 14** Slide the housing onto the mounting plate and line up the housing holes with the mounting plate holes.
- 15** Replace and tighten the three #8-32 screws to secure the housing in place.

## Adjust The Cable Length (Optional)

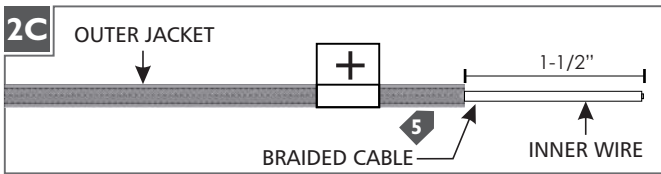


- 1** Back out (do not remove) the set screw on tip of the connector with the provided Allen wrench.



**2** Back out (do not remove) the set screw on the cylindrical connector with the provided Allen wrench.

**3** Pull the coaxial cable out.

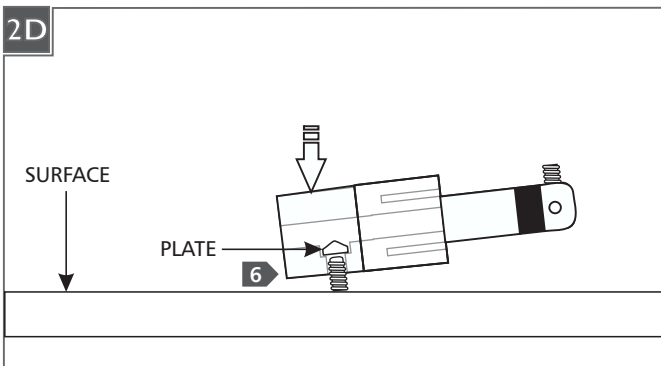


**NOTE:** Be careful to not cut the insulation from the inner wire.

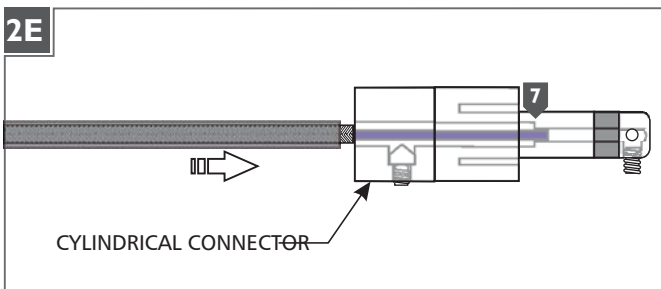
**NOTE:** Use plus and minus tags to keep track of the positive and negative leads.

**4** Cut the coaxial cable to the desired length.

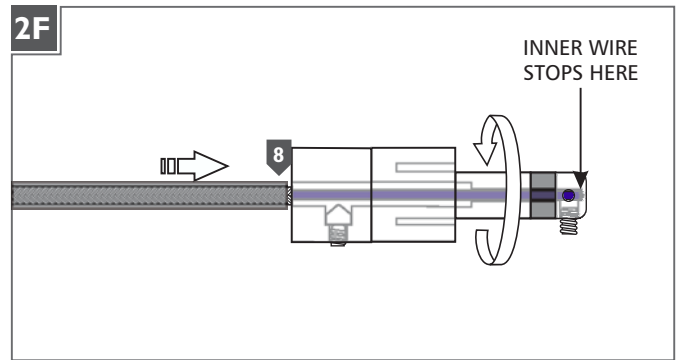
**5** Strip 1-1/2" of outer jacket and coaxial cable to expose inner wire only.



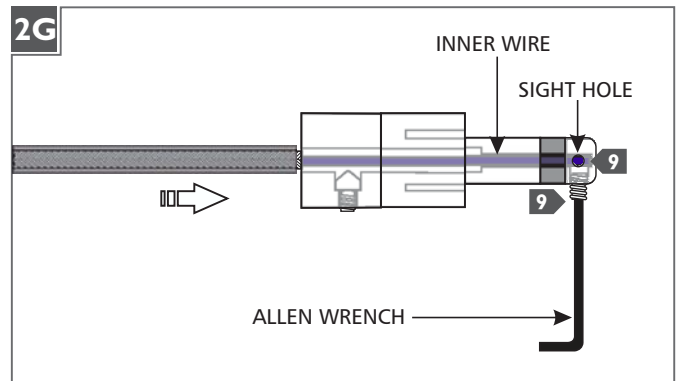
**6** Tap the cylindrical connector on a hard surface with the set screw facing down, so the plate inside drops into place.



**7** Feed and push the coaxial cable into the cylindrical connector.

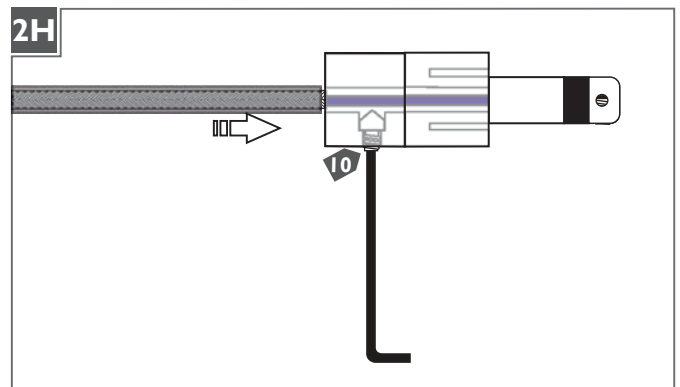


**8** Keep pushing the coaxial cable into the connector while rotating the connector to ease feeding the inner wire into the tip of the connector.



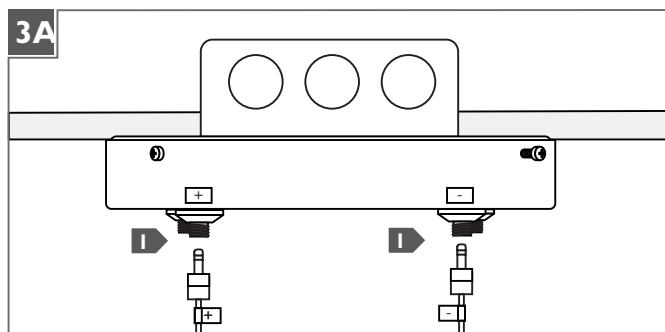
**9** Look into the sight hole on the top of the connector to make sure that the inner wire is contacting the end of the connector.

**10** Hold the coaxial cable in place and tighten the set screw on tip of the connector with the provided Allen wrench. Make sure this set screw connection is tight.



**11** Firmly tighten the set screw on the conical connector.

## Install the fixture



- 1** Screw each connector completely into canopy ports. Making sure to match the positive connector with the positive canopy port and the negative connector with the Negative canopy port directly opposite of each other.
- 2** Turn the power on.

**SAVE THESE INSTRUCTIONS!**



**TECH LIGHTING®**

7400 Linder Ave, Skokie, IL 60077

847.410.4400

[www.techlighting.com](http://www.techlighting.com)

© 2018 Tech Lighting, L.L.C. All rights reserved. The "Tech Lighting" graphic is a registered trademark of Tech Lighting, L.L.C. Tech Lighting reserves the right to change specifications for product improvements without notification.

A Generation Brands Company