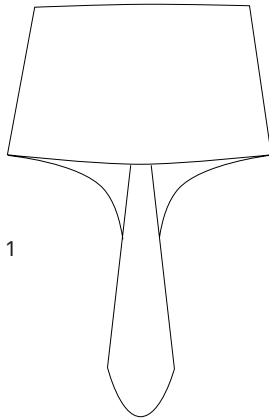




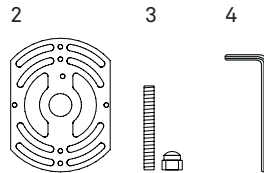
AIR

AIR A UL | SET UP

CONTENTS



1



2

3

4

1 Shade.	1 un.
2 Back plate.	1 un.
3 Screws & spherical nuts	2 un.
4 Allen key N° 2,5	1 un.

TECHNICAL SPECIFICATIONS

Recommended bulb

120V E12 Base



CFL Mini Globe 1 x 9 W max. or



LED Mini Globe 1 x 5 W max. or

120V GU24 Base



CFL Mini Globe 1 x 9 W max. or



LED Mini Globe 1 x 5 W max.

120 V



WEIGHT

Net Weight 0,7 Lb

Gross Weight 3,3 Lb

WARNINGS

Before assembly and installing this product, carefully read the following:

Turn off the mains before installing the lamp. Dry location only. This lamp is for indoor use only.

WOOD VENEER: Since wood is a natural material, a gradual change in tone may occur over time. Furthermore, if the lamps have been purchased at different times, there will be differences in colour and tone, particularly in light coloured veneers. Luziferlamps S.L. will not be held responsible for this.

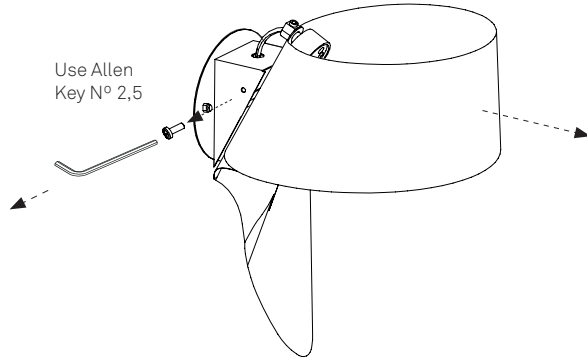
MORE INFO:
<http://www.lzf-lamps.com/guarantee/>





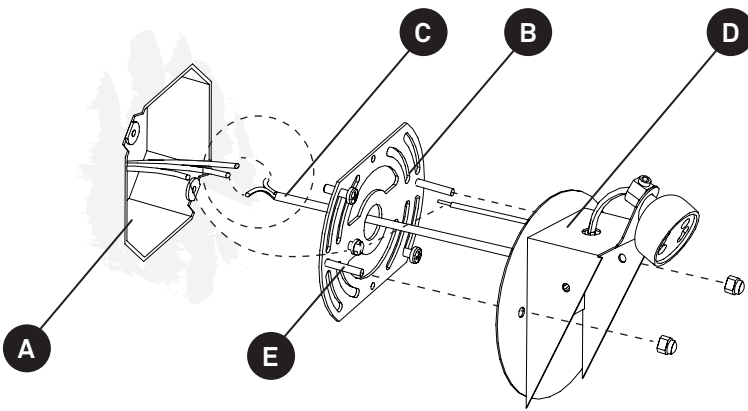
ASSEMBLY INSTRUCTIONS

1.



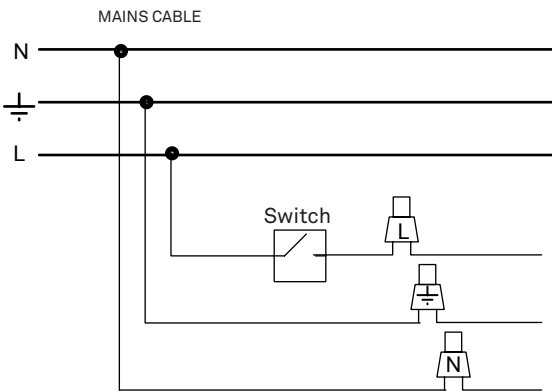
1. Remove these screws to separate the shade from the structure.

2.



2. Feed the electrical wires (C) through the back plate (B) and the structure (D) and connect the electrical wires to the main.

3.



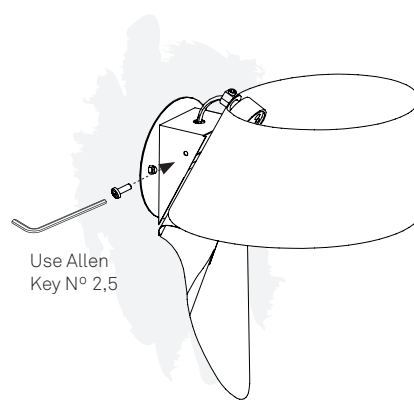
3. CONNECTION

Turn off the mains before installing the lamp.

Connect the lamp to the mains as follows.

You should have a three wire cable coming from the mains, **N, L** and **GND** (⊕). Connect these to the cables of the same colour coming from the lamp.

4.



Use the level supplied to mount your lamp horizontally, fix the lamp to the junction box (A) with the screws & spherical nuts (E).

4. Return the shade to its position. Put the holding screws back into place.

5. Install the bulb.

6. Turn on the mains again.

© Luziferlamps, S.L.
Valencia, Spain. 2018.
All rights reserved.
www.import-ent.com
support@import-ent.com

GENERAL CARE INSTRUCTIONS

REV.06-2018

D38_090

Use and care of your lamp.

You have just purchased an original handmade product by LZF. Your lamp is made out of FSC® certified natural wood veneer treated with our patented finish, Timberlite®. This treatment both protects and safeguards the wood veneer against breakages.

Depending on the type of lamp use a feather duster, soft cleaning cloth or damp cloth for cleaning. On our more delicate shades, like those made from wood strips, a feather duster or an air blower is preferable. In our more solid shades a damp cloth may be used.

Clean only the flat surface of the veneer with the cloth, and please avoid any moisture contact along the edge of the veneer.

Acrylic Diffusers

The acrylic diffusers on your lamp can be cleaned with a regular window cleaning spray and a soft cloth. Do not use solvents of any kind.

Bulbs

Bulbs not included, unless indicated. We recommend using energy-saving light bulbs, like the CFL or LED bulbs. Please refer to the instruction manual or visit our website www.lzf-lamps.com to make sure you are using the best bulb for your type of lamp.

Precautions

Luminaire for indoor use only.

Avoid direct sunlight, strong indirect sunlight and moisture on your lamp. Unplug the lamp before cleaning or changing the light bulb.

Installation of the fixture should only be performed by qualified electrical personnel or by the LZF service department.