

KICHLER®

65" IMARI

Product images may vary slightly from actual product.



INSTRUCTION MANUAL

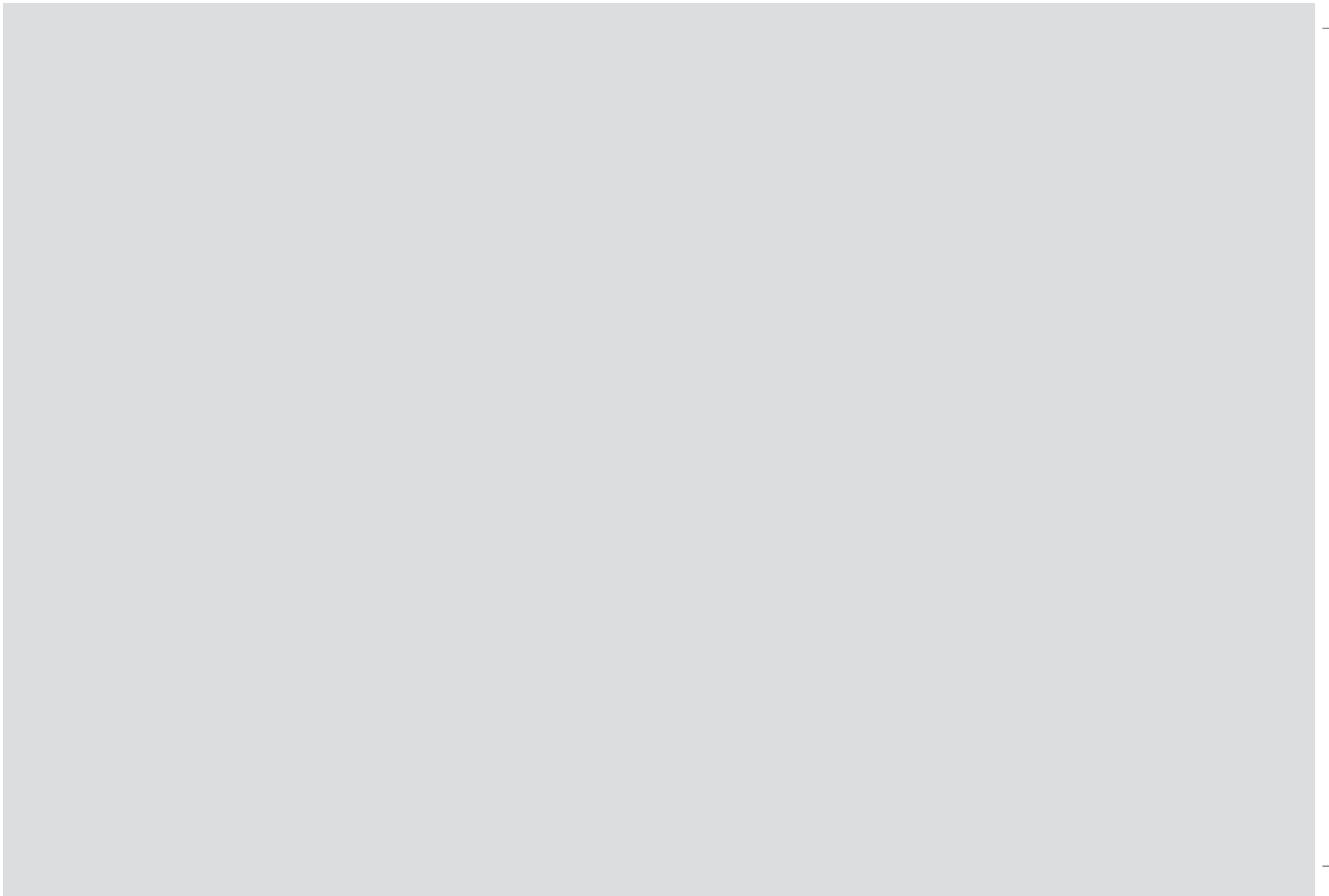


TABLE OF CONTENTS

SAFETY RULES	4	INSTALLING THE LED LIGHT KIT AND GLASS SHADE ASSEMBLY	15
TOOLS REQUIRED	5	CONTROL SYSTEM SET-UP	16
PACKAGE CONTENTS	5	BUTTON INSTRUCTION	17
MOUNTING OPTIONS	6	SENSORLESS DC CONTROL PAIRING PROCEDURES	18
HANGING THE FAN	7	INSTALLING THE WALL CONTROL SYSTEM WALL PLATE	19
INSTALLATION OF SAFETY SUPPORT	10	OPERATION INSTRUCTIONS	20
ELECTRICAL CONNECTIONS	11	TROUBLESHOOTING	21
FINISHING THE INSTALLATION	13		
FINISHING THE INSTALLATION	14		
INSTALLING THE LIGHT PLATE	14		

SAFETY RULES

1. To reduce the risk of electric shock, insure electricity has been turned off at the circuit breaker or fuse box before beginning.
2. All wiring must be in accordance with the National Electrical Code and local electrical codes. Electrical installation should be performed by a qualified licensed electrician.
3. **WARNING:** Not suitable for use with solid-state speed controls.
4. **WARNING:** To reduce the risk of fire, electric shock, or personal injury, mount to outlet box marked "acceptable for fan support of 15.8 kg (35 lbs.) or less" and use mounting screws provided with the outlet box. Most outlet boxes commonly used for the support of light fixtures are not acceptable for fan support and may need to be replaced. Due to the complexity of the installation of this fan, a qualified licensed electrician is strongly recommended.

WARNING: TO REDUCE THE RISK OF FIRE, ELECTRIC SHOCK OR PERSONAL INJURY, MOUNT FAN TO OUTLET BOX MARKED "ACCEPTABLE FOR FAN SUPPORT".

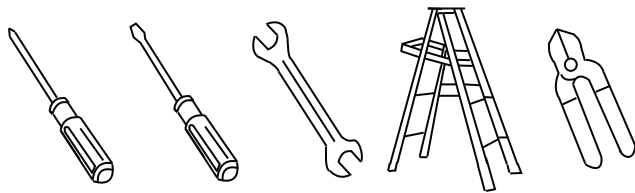
5. The outlet box and support structure must be securely mounted and capable of reliably supporting a minimum of 50 pounds. Use only CUL Listed outlet boxes marked "FOR FAN SUPPORT".
6. The fan must be mounted with a minimum of 7 feet clearance from the trailing edge of the blades to the floor.
7. To operate the reverse function on this fan, press the reverse button while the fan is running.

8. Avoid placing objects in the path of the blades.
9. To avoid personal injury or damage to the fan and other items, be cautious when working around or cleaning the fan.
10. Do not use water or detergents when cleaning the fan or fan blades. A dry dust cloth or lightly dampened cloth will be suitable for most cleaning.
11. After marking electrical connections, spliced conductors should be turned upward and pushed carefully up into outlet box. The wires should be spread apart with the grounded conductor and the equipment-grounding conductor on one side of the outlet box.
12. Electrical diagrams are reference only. Light kits that are not packed with the fan must be CUL Listed and marked suitable for use with the model fan you are installing. Switches must be CUL General Use Switches. Refer to the Instructions packaged with the light kits and switches for proper assembly.

WARNING: TO REDUCE THE RISK OF PERSONAL INJURY, DO NOT BEND THE BLADE BRACKETS (ALSO REFERRED TO AS FLANGES) DURING ASSEMBLY OR AFTER INSTALLATION. DO NOT INSERT OBJECTS IN THE PATH OF THE BLADES.

TOOLS REQUIRED

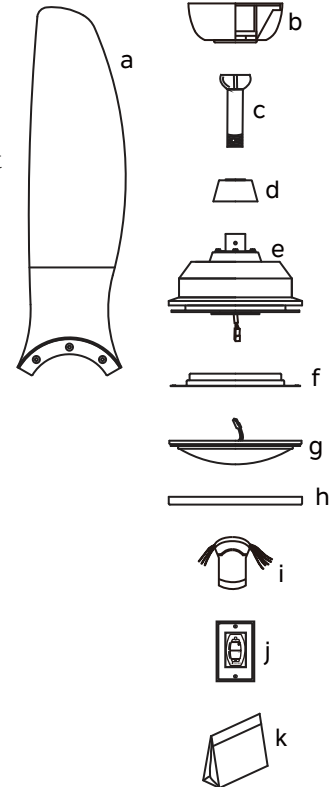
Philips screw driver
Blade screw driver
11 mm wrench
Step ladder
Wire cutters



PACKAGE CONTENTS

Unpack your fan and check the contents. You should have the following items:

- a. Fan blades (3)
 - b. Canopy & Ceiling mounting bracket
 - c. Ball/downrod assembly
 - d. Coupling cover
 - e. Fan motor assembly
 - f. Light plate
 - g. 25W LED light kit
 - h. Decorative ring
 - i. Receiver
 - j. Wall Transmitter
 - k. Part bag contents
- 1) Mounting hardware:
star washers (2), wire nuts (3),
machine screws (2), washers (2),
screws (2)
 - 2) Blade attachment hardware:
screws with lock washers (11),
flat washers (11)
 - 3) Safety cable hardware:
wood screw, lock washer, flat
washer
 - 4) Balance Kit



MOUNTING OPTIONS

If there isn't an existing UL (cUL for Canadian Installation) listed mounting box, then read the following instructions. Disconnect the power by removing fuses or turning off circuit breakers.

Secure the outlet box directly to the building structure. Use appropriate fasteners and building materials. The outlet box and its support must be able to fully support the moving weight of the fan (at least 50 lbs). Do not use plastic outlet boxes.

Figures 1, 2 and 3 are examples of different ways to mount the outlet box.

NOTE: If you are installing the ceiling fan on a sloped (vaulted) ceiling, you may need a longer downrod to maintain proper clearance between the tip of the blade and the ceiling. A minimum clearance of 12" is suggested for optimal operation.

NOTE: Depending on the location you have selected for installation, you may need to purchase and install a "Joist Hanger" for the support of the outlet box. Make sure the joist hanger you purchase has been designed for use with ceiling fans. (Fig. 4)

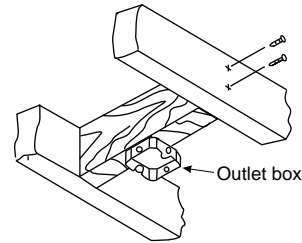


Fig. 1

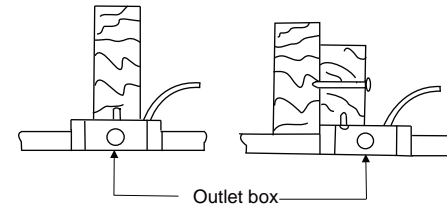


Fig. 2

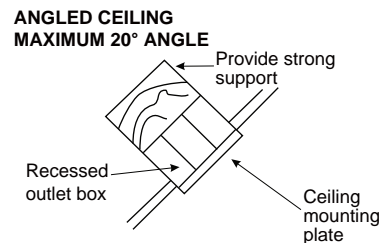


Fig. 3

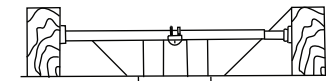


Fig. 4

HANGING THE FAN

REMEMBER to turn off the power before you begin.

To properly install your ceiling fan, follow the steps below.

Step 1. Remove the decorative canopy bottom cover from the canopy by turning the cover counter clockwise. (Fig. 5)

Step 2. Remove the ceiling mounting bracket from the canopy by removing (and save one of the two screws). Loosen the remaining screw by a half turn. (Fig. 5)

Step 3. Pass the 120 volt supply wires from the ceiling outlet box through the center of the ceiling mounting bracket. (Fig. 6)

Step 4. Attach the ceiling mounting bracket to the outlet box using the screws and washers included with the outlet box. (Fig.6)

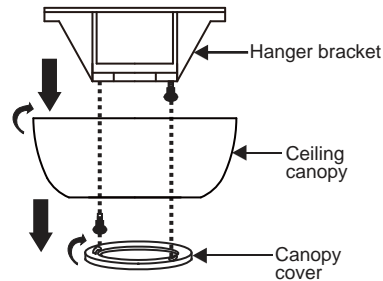


Fig. 5

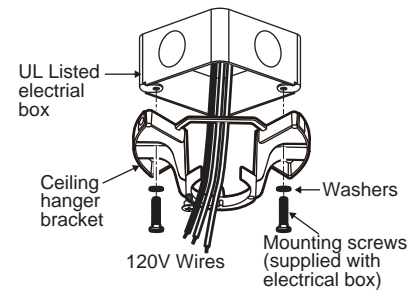


Fig. 6

HANGING THE FAN (continued)

Step 5. Remove the hanger ball from the downrod assembly by loosening the set screw, unscrewing and removing the cross pin and unscrewing the ball off the rod. (Fig. 7)

Step 6. Loosen the two set screws and remove the hitch pin and retaining clip from the coupling on top of the motor assembly. (Fig. 8)

Step 7. Carefully feed the electrical lead wires from the fan up through the downrod. Thread the downrod into the coupling until the Hitch pin holes are aligned.

Next, replace the hitch pin and retaining clip. Tighten both set screw. (Fig. 8)

NOTE: This fan comes with a 6" downrod. please cut off the electrical lead wires if you do not plan use an longer downrod,

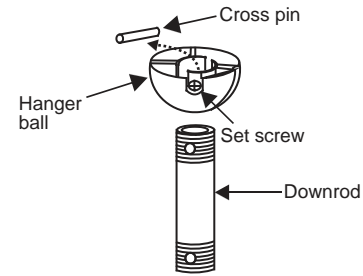


Fig. 7

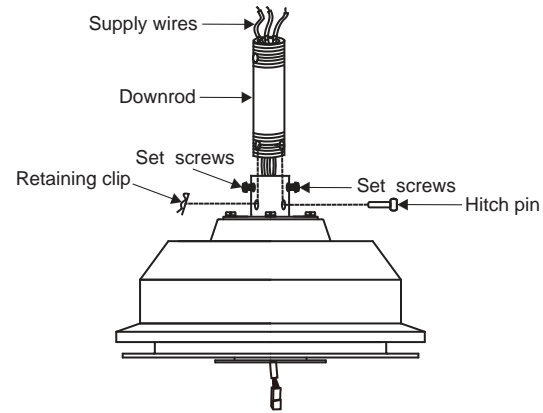


Fig. 8

HANGING THE FAN (continued)

Step 8. Slip the coupling cover, secure ring, canopy cover and canopy onto the downrod. (Fig. 9)

Thread the hanger ball onto the downrod, insert the cross pin through the downrod and tighten. Now tighten the set screw. (Fig. 9)

Step 9. Lift the motor assembly into position and place the hanger ball into the ceiling mounting bracket. (Fig. 10)

Rotate the entire assembly until the "Check Tab" has dropped into the "Registration Slot" and seats firmly. (Fig. 10)

The entire motor assembly should not rotate (left or right) when seated properly.

WARNING: Failure to reattach the cross pin and seat the "Check Tab" can cause the fan to fall from the ceiling during operation. Take special care to make sure this pin is reattached.

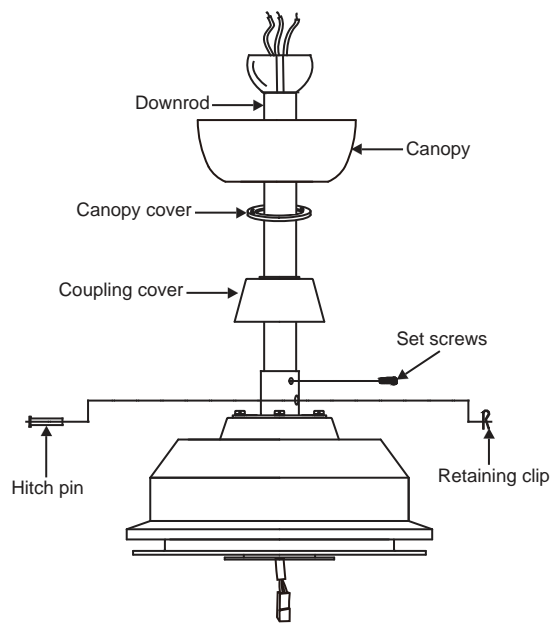


Fig. 9

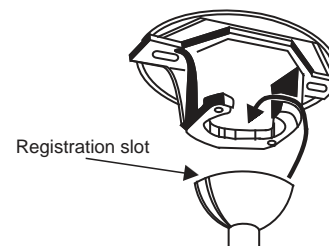


Fig. 10

INSTALLATION OF SAFETY SUPPORT (required for Canadian installation ONLY)

A safety support cable is provided to help prevent the ceiling fan from falling.

Step 1. Attach the provided wood screw and washers to the ceiling joist next to the mounting bracket but do not tighten. (Fig. 11)

Step 2. Adjust the length of the safety cable to reach the screw and washers by pulling the extra cable through the cable clamp until the overall length is correct, put the end of the cable back through the cable clamp, forming a loop at the end of the cable. Tighten the cable clamp securely. Now, put the loop in the end of the safety cable over the wood screw and under the washer. Tighten the wood screw securely.

NOTE: Although the safety support cable is required for Canadian installations only. It's a good idea to make the attachment with any installation.

Step 3. Insert the receiver into the ceiling mounting bracket with the flat side of the receiver facing the ceiling. (Fig. 12) For best performance, make sure the Black Antenna, on the end of the receiver, remains extended and not tangled with any of the electrical wires.

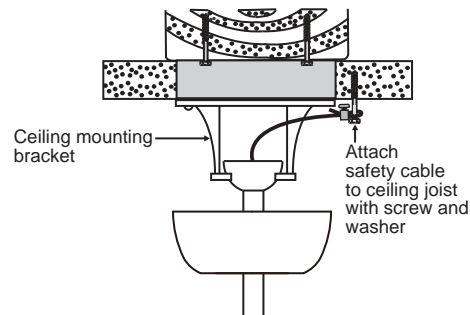


Fig. 11

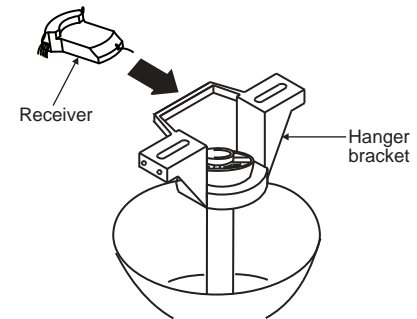


Fig. 12

ELECTRICAL CONNECTIONS

WARNING: Carefully read and retain this Instruction Manual for future reference.

WARNING: To avoid possible electrical shock, be sure the electricity is turned off at the main panel by removing the fuse or opening the circuit breaker.

WARNING: This control is designed for use with "DC Motor Ceiling Fans" ONLY. DO NOT use with any other type of electrical appliance.

WARNING: All wiring must conform to national and local electrical codes. If you feel you do not have enough electrical knowledge, have a licensed electrician install the control.

WARNING: The amperage for your fan should not exceed 1A. The total wattage for the lights 300W.

Make each of the wire connections illustrated in Figure 13. Secure each with the wire nuts provided.

A. Ceiling fan to Receiver wire connection

Step 1. Connect the Blue wire from the fan (motor) to the Blue wire from the receiver. White wire from the fan (motor) to the White wire from the receiver. Red wire from the fan (motor) to the Red wire from the receiver. Gray wire from the fan (motor) to the Gray wire from the receiver. (Fig. 13)

Step 2. If you **do not** plan to use the light kit with your fan at this time, please **DO NOT** connect the Blue and White wires, and respectively secure the blue and white wires with the **wire nut**.

B. Receiver to Household wire connection

Step 1. Snap together the 2-P wire connection plugs from the receiver and filter: Black to black , White to white. (Fig. 13)

Step 2. Connect the Ground conductor of the 120V supply to the one Green wire from filter and one from the fan.

C. Wall control wire connection

Step 1. Black wire (TO MOTOR L) from the Wall Control to the Black wire from the Wall Outlet Box. (Fig. 13)

Step 2. Black wire (AC IN L) from the Wall Control to the Black wire from the Wall Outlet Box.

Step 3. If your wall outlet box has a ground wire (green or bare copper), connect the wall control's yellow/green ground wire to it; otherwise connect the wall control's yellow/green ground wire directly to one of the screws from the wall outlet box.

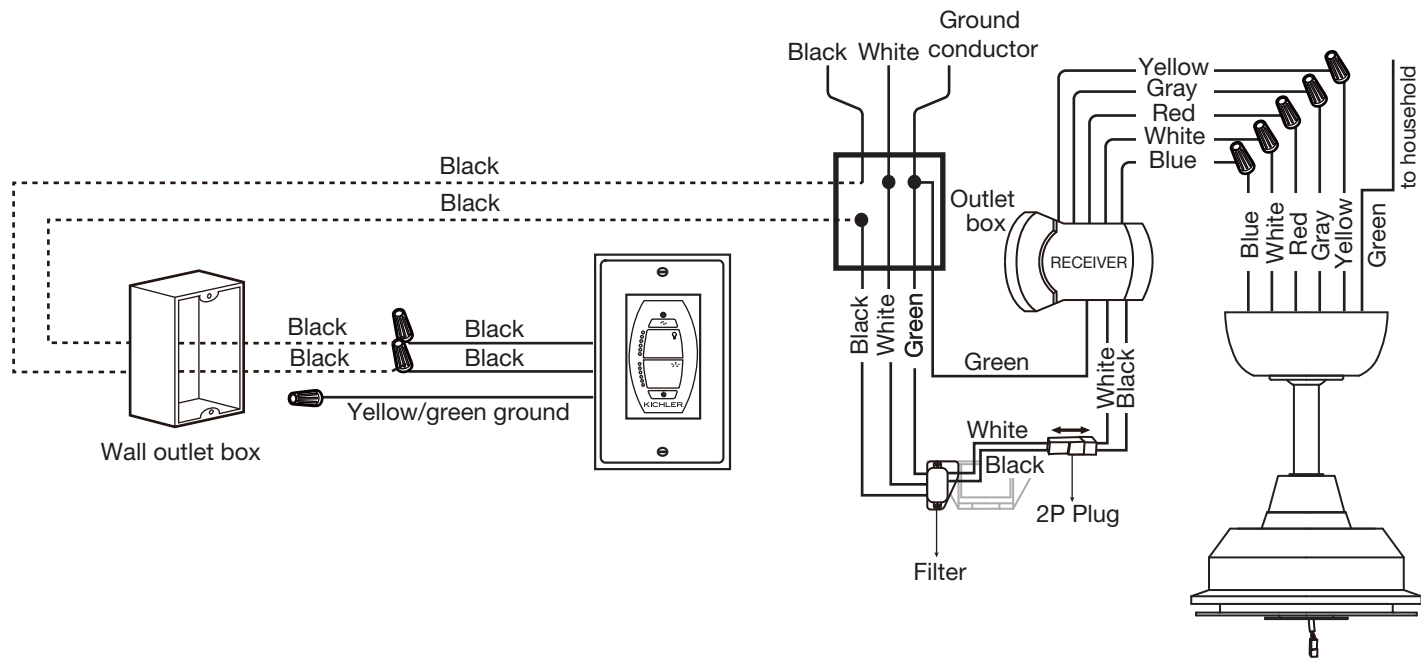


Fig. 13

FINISHING THE INSTALLATION

Step 1. Tuck all the connections neatly into the ceiling outlet box.

Step 2. Slide the canopy up to the mounting bracket and place one of the key hole slots over the mounting screw on the mounting bracket. Rotate the canopy until the screw head locks in place at the narrow section of the key hole. See figure 14.

Step 3. Align the remaining circular hole on the canopy with the remaining hole on the Ceiling Mounting Bracket. Insert and tighten the mounting screw you removed earlier and the mounting screw from Step 2 above. Now, attach the canopy cover to the mounting screw heads by inserting the screw heads into the bottom side of the canopy cover and rotating the cover clockwise.

NOTE: Adjust the canopy screws as necessary until the canopy and canopy cover are snug. (Fig. 14)

WARNING: Make sure the "Check Tab" at the bottom of the hanger bracket is properly seated in the "Registration Slot" on the side of the hanger ball before attaching the canopy to the bracket. Failure to properly seat the "Check Tab" could damage the electrical wires when to ceiling fan blade direction is changed while the fan is running.

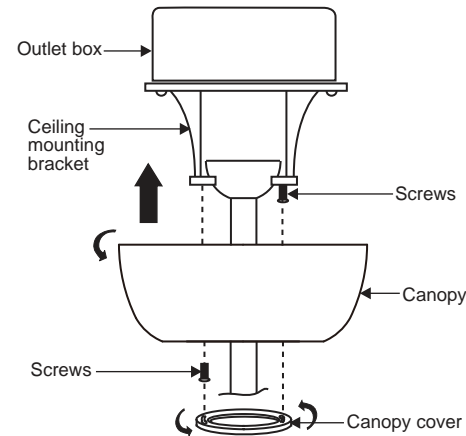


Fig. 14

ATTACHING THE FAN BLADES

Step 1. Align the holes from the blade to the holes from the motor, and secure the blade in place with screws and flat washers provided. (Fig. 15)

Step 2. Repeat this process to attach the other two blades.

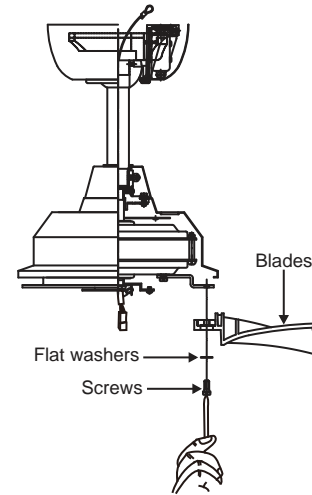


Fig. 15

INSTALLING THE LIGHT PLATE

Step 1. Loosen the two screws on the mounting ring attached to the motor shaft and "remove" and save the third screw. (Fig. 16)

Step 2. Place the key hole slots on the light plate over the two screws previously loosened on the mounting ring.

Turn the light plate until it locks in place at the narrow section of the key hole slots.

Tighten both key hole screws and replace the third screw previously removed and tighten securely.

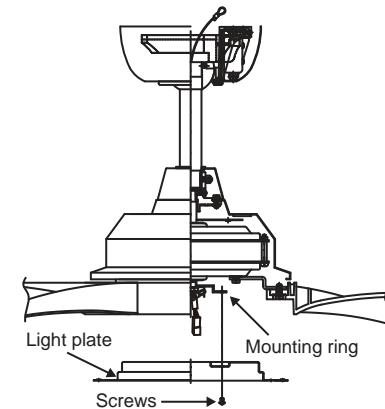


Fig. 16

INSTALLING THE LED LIGHT KIT AND DECORATIVE RING

NOTE: Before starting installation, disconnect the power by turning off the circuit breaker or removing the fuse at fuse box.

Step 1. Loosen the two mounting screws on the inside of the LED light kit. (Fig.17)

Step 2. While holding the LED light kit under the fan motor, make the wire connections: (Fig. 17)

- White to white
- Black to black

Step 3. Tuck the connections neatly into the light plate. Place the LED light kit close to the light plate, secure by tightening the two screws. (Fig.17)

Step 4. Position the notches in the decorative ring so they line up with the tabs on the LED light kit. Carefully lift the decorative ring up inside the light kit and secure it to the fan by turning the decorative ring clockwise until snug. DO NOT OVERTIGHTEN. (Fig. 18)

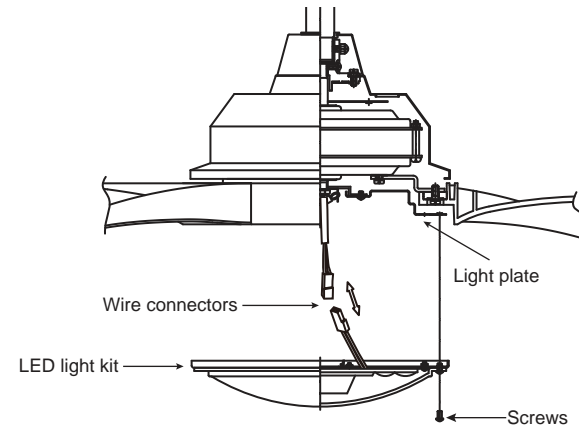


Fig. 17

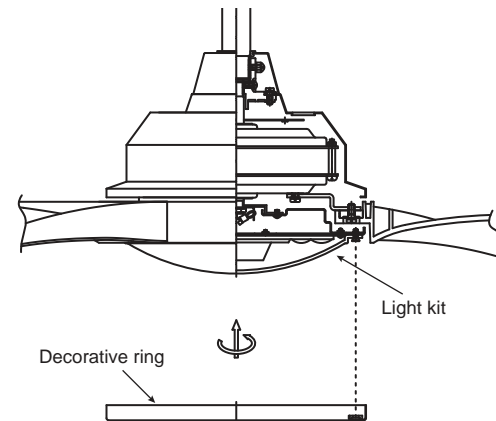


Fig. 18

CONTROL SYSTEM SET-UP

IMPORTANT: Ceiling fan blades **MUST** be installed before pairing procedure can begin.

Program the wall control and/or the handset control separately. Once the following pairing is successfully done, both the wall control and the handset control can be used for the fan.

Press the power button on wall control to **TURN THE POWER ON**. The LED lights on the wall control will blink thru the power up process, approximately 3 seconds.

Press the "⏻" power button to turn off the wall control (the button will be up). Restore electricity to the ceiling fan branch circuit at the circuit breaker or fuse box. Within 60 seconds of turning on the power, press the "⏻" power button to turn on the wall control (the button will be down), and then press the "↺" reverse button for 3 to 5 seconds. Light will blink twice. The remote will now be programmed to your fan and ready for use.

IMPORTANT: Do not interrupt the conditioning until the fan comes to a complete stop in approximately 5 minutes. All functions of the control will be rejected during conditioning.

Try different speed setting on both the wall control and the handset control to ensure the fan is now fully functional. If programming is unsuccessful, retry the process starting from step 1 again.

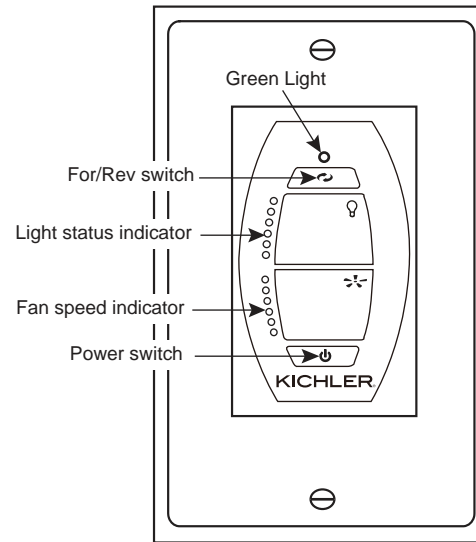


Fig. 19

BUTTON INSTRUCTION

LED Indicator Red LED: Transmitter signal indicator. When RF signal is sending, the red light will illuminate.

Green LED: To show the Forward and Reverse indicator.

ON/OFF button "  "

ON: Turn on the power.

OFF: Turn off the power.

Reverse button "  "

When the fan is running, press and release the Reverse button one time, the fan will change operating direction.

Downflow: Green indicator LED will be off.

Reverse: Green indicator LED will be on.

Light button "  "

Press and release the Light button for light ON/OFF control.

Light indicator LEDs will show current light status. If the light kit is OFF, the Light indicator LEDs are also all off. Press AND HOLD the light button for more than 1 second and the light kit will begin dimming. Light indicator LED will show the change in light level status. The light level cycles from bright to dim and back to bright when the light button is held.

Fan control "  "

Press and release the Fan speed button for Fan ON/OFF control.

Fan indicator LED will illustrate the current fan speed. If the fan is OFF, the fan speed indicator LEDs will also be OFF.

Press and hold Fans speed button for more than 1second to begin adjusting the fan speeds.

The indicator LEDs will shows the current speed level. The fan speed adjustments adjust in a repeat cycle when the speed button is held down. The speeds adjust from High to Low, then back up to High.

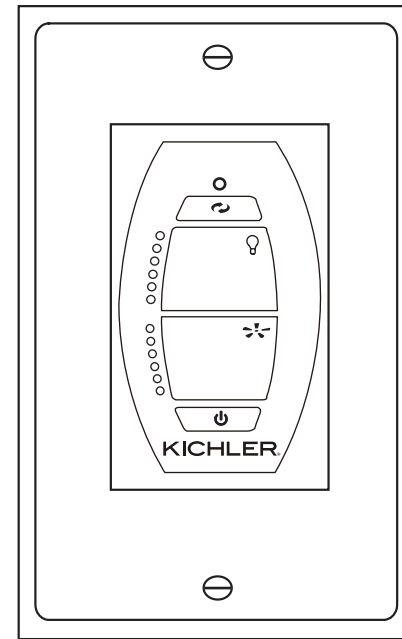


Fig. 20

SENSORLESS DC CONTROL PAIRING PROCEDURES

IMPORTANT: Ceiling fan blades **MUST** be installed before pairing procedure can begin.

Step 1. Program the wall control and/or the handset control separately. Once the following pairing is successfully done, both the wall control and the handset control can be used for the fan.

For wall control, press the “⏻” power button to turn off the wall control (the button will be up). Restore electricity to the ceiling fan branch circuit at the circuit breaker or fuse box. Within 60 seconds of turning on the power, press the “⏻” power button to turn on the wall control (the button will be down), and then press the “↺” reverse button for 3 to 5 seconds. Light will blink twice. The remote will now be programmed to your fan and ready for use.

For handset control, restore electricity to the ceiling fan branch circuit at the circuit breaker or fuse box. Within 60 seconds of turning on the power, press “⏻” power button for 3 to 5 seconds. Light will blink twice. The remote will now be programmed to your fan and ready for use.

IMPORTANT: Do not interrupt the conditioning until the fan comes to a complete stop in approximately 5 minutes. All functions of the control will be rejected during conditioning.

Step 2. Try different speed setting on both the wall control and the handset control to ensure the fan is now fully functional. If programming is unsuccessful, retry the process starting from step 1 again.

INSTALLING THE WALL CONTROL SYSTEM WALL PLATE

Select a location to install the Wall Control System Transmitter and Wall Plate.

REMEMBER also this should state that the control is not to be mounted outdoors. You can safely use the transmitter outdoors but it should be mounted indoors away from excess heat and away from contact with water or humidity.

Install the wall plate using an existing wall switch outlet box. Make sure the electrical power is **TURNED OFF** at the main panel before continuing.

If your ceiling outlet box has a ground wire (green or bare copper) connect it to the ground wire from the wall switch and/or the ceiling mounting bracket and push back inside the outlet box.

Install the wall plate on the existing wall outlet box using the screws provided. (Fig. 21)

After installing the wall anchors, attached the wall plate with the mounting screws to finish the installation.

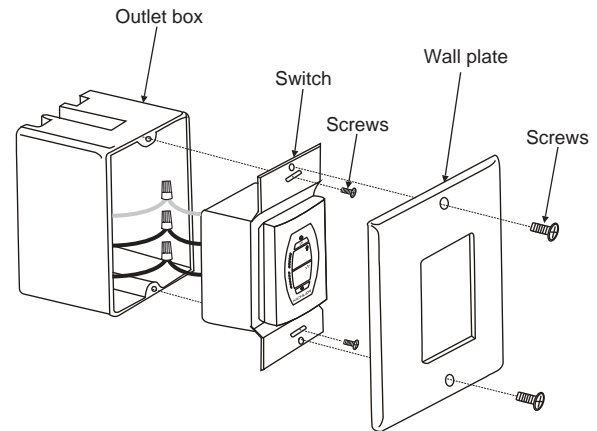


Fig. 21

OPERATING INSTRUCTIONS

Warm weather - Forward (counter clockwise) A downward airflow creates a cooling effect as shown in Fig. 22. This allows you to set your air conditioner on a warmer setting without affecting your comfort.

Cool weather - Reverse (clockwise) An upward airflow moves warm air off the ceiling area as shown in Fig. 23. This allows you to set your heating unit on a cooler setting without affecting your comfort.

NOTE: To change the airflow direction of your ceiling fan use the FOR/REV button on the wall control transmitter.

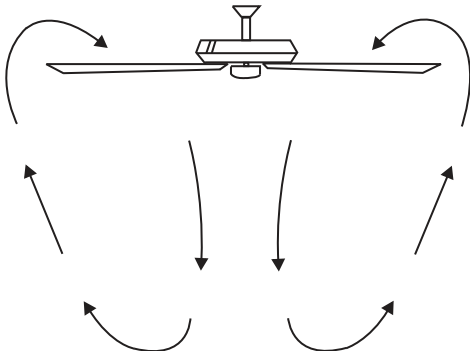


Fig. 22

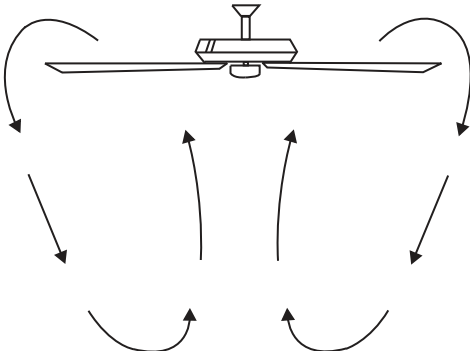


Fig. 23

TROUBLESHOOTING

Problem	Solution
Fan will not start.	<ol style="list-style-type: none">1. Check circuit fuses or breakers.2. Check all electrical connections to insure proper contact. <p>CAUTION: Make sure the main power is OFF when checking any electrical connection.</p>
Fan sounds noisy.	<ol style="list-style-type: none">1. Make sure all motor housing screws are snug.2. Make sure the screws that attach the fan blade brackets to the motor are tight.3. Make sure wire nut connections are not rubbing against each other or the interior wall of the switch housing. CAUTION: Make sure main power is off.4. Allow a 24-hour "breaking-in" period. Most noise associated with a new fan disappear during this time.5. If using an optional light kit, make sure the screws securing the glassware are tight. Make sure the light bulbs are not touching any other component.6. Do not connect this fan to wall mounted variable speed control(s). they are not compatible with ceiling fan motors or remote controls.7. Make sure the upper canopy is a short distance from the ceiling. It should not touch the ceiling.
Fan wobble.	<ol style="list-style-type: none">1. Check that all blade and blade arm screws are secure.2. Most fan wobbling problems are caused when blade levels are unequal. Check this level by selecting a point on the ceiling above the tip of one of the blades. Measure this distance. Rotate the fan until the next blade is positioned for measurement. Repeat for each blade. The distance deviation should be equal within 1/8".3. If the blade wobble is still noticeable, interchanging two adjacent (side by side) blades can redistribute the weight and possibly result in smoother operation.
Remote control malfunction.	<ol style="list-style-type: none">1. Ceiling Fans with remote control systems CAN NOT be operated in conjunction with any other control system EXCEPT a basic On/Off wall switch, if desired.

KICHLER®

www.kichler.com

KICHLER® LIGHTING

7711 EAST PLEASANT VALLEY ROAD P.O. BOX 318010

CLEVELAND, OHIO 44131-8010

CUSTOMER SERVICE 866.558.5706

8:30 AM TO 5:00 PM EST, MONDAY - FRIDAY

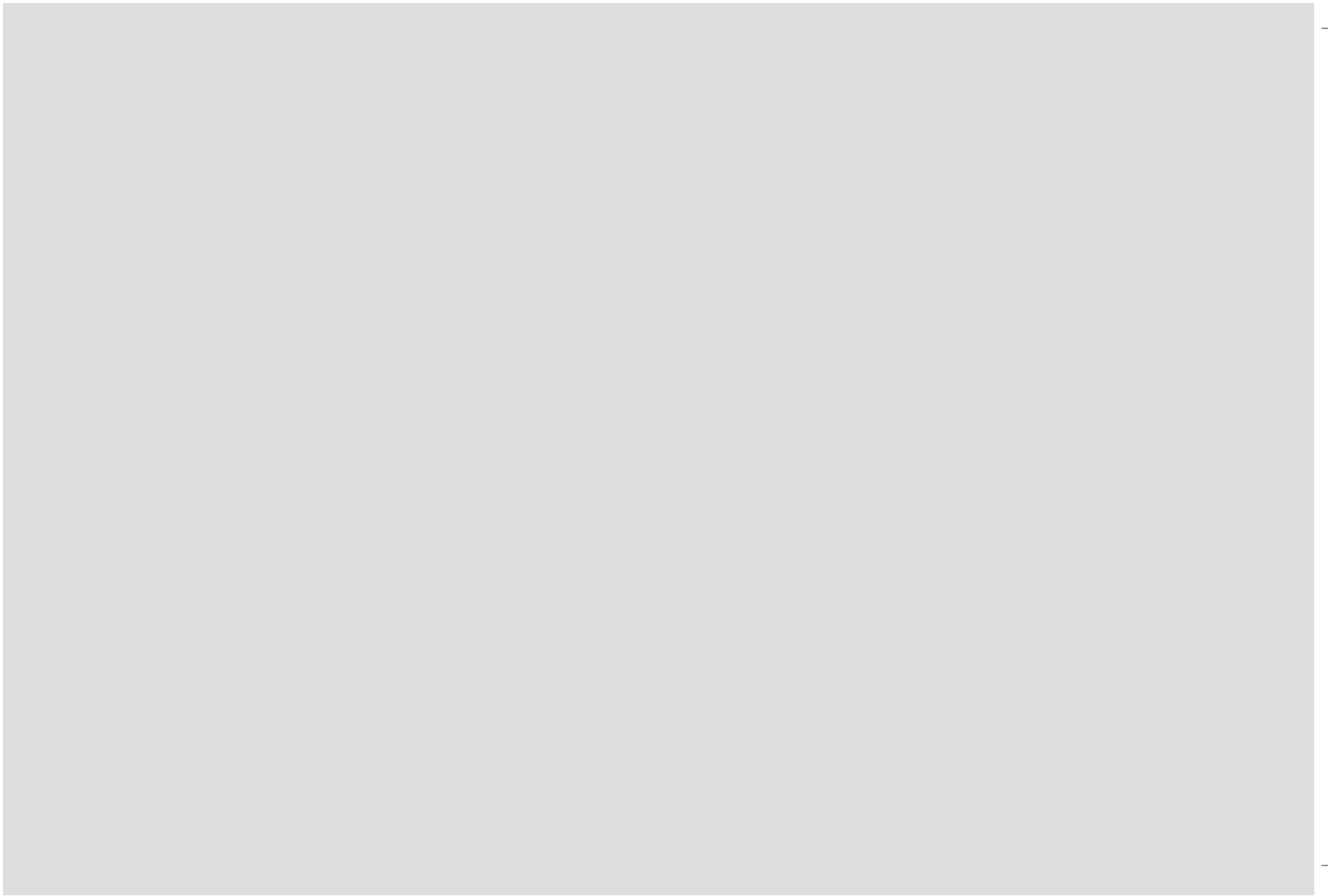
KICHLER®

65" IMARI

Las imágenes pueden variar levemente respecto del producto real



MANUAL DE INSTRUCCIONES



ÍNDICE

NORMAS DE SEGURIDAD.....	4
HERRAMIENTAS REQUERIDAS	5
CONTENIDO DEL ENVASE.....	5
OPCIONES DE MONTAJE.....	6
CÓMO COLGAR EL VENTILADOR	7
INSTALACIÓN DEL SOPORTE DE SEGURIDAD	10
CONEXIONES ELÉCTRICAS.....	11
FINALIZACIÓN DE LA INSTALACIÓN	13
ACOPLAMIENTO DE LAS ASPAS	14
INSTALACIÓN DE LA PLACA DE ILUMINACIÓN	14

INSTALACIÓN DEL KIT DE ILUMINACIÓN LED Y EL ENSAMBLAJE DE LA PANTALLA DE VIDRIO	15
CONFIGURACIÓN DEL SISTEMA DE CONTROL	16
INSTRUCCIONES DE LOS BOTONES.....	17
PROCEDIMIENTOS DE EMPAREJAMIENTO DEL CONTROL DE CC SIN SENSORS.....	18
INSTALACIÓN DEL CONTROL DE PARED PLACA DE PARED DEL SISTEMA	19
INSTRUCCIONES DE FUNCIONAMIENTO.....	20
LOCALIZACIÓN Y RESOLUCIÓN DE PROBLEMAS.....	21

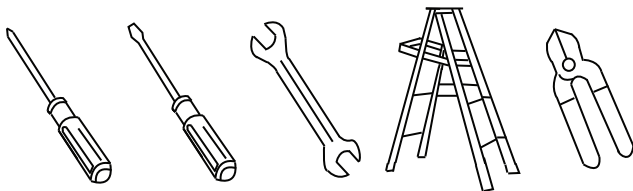
NORMAS DE SEGURIDAD

1. Para reducir el riesgo de descarga eléctrica, asegúrese de haber cortado el suministro de energía desde el disyuntor o la caja de fusibles antes de comenzar.
2. Todo el cableado debe realizarse conforme a lo establecido por el Código Eléctrico Nacional y a los códigos eléctricos locales. La instalación eléctrica debe ser realizada por un electricista con licencia profesional.
3. **ADVERTENCIA:** No apto para uso con controles de velocidad de estado sólido.
4. **ADVERTENCIA:** Para reducir el riesgo de incendio, descargas eléctricas o lesiones personales, instale el dispositivo en una caja de distribución eléctrica designada como "**Aceptable para soporte de ventiladores de 15,8 kg (35 libras) o menos**" y utilice los tornillos de montaje proporcionados con la caja de distribución eléctrica. La mayoría de las cajas de distribución eléctrica utilizadas comúnmente para el soporte de artefactos de iluminación no resultan adecuadas para el soporte de ventiladores y pueden requerir un reemplazo. Debido a la complejidad de la instalación de este ventilador, se recomienda contratar los servicios de un electricista con licencia profesional.
ADVERTENCIA: PARA REDUCIR EL RIESGO DE INCENDIO, DESCARGA ELÉCTRICA O LESIONES, INSTALE EL VENTILADOR ÚNICAMENTE EN UN SISTEMA DE SOPORTE O CAJA TOMACORRIENTE "ACEPTABLES PARA EL SOPORTE DE VENTILADORES".
5. La caja de distribución eléctrica y la estructura de soporte deben instalarse en forma segura y ser capaces de soportar completamente un peso mínimo de 50 libras. Utilice únicamente cajas de distribución eléctrica con certificación CUL designadas como "ACEPTABLES PARA SOPORTE DE VENTILADORES".
6. El ventilador debe instalarse con una distancia mínima de 7 pies entre el borde posterior de las aspas y el piso.
7. Para operar la función inversa en este ventilador, oprima el botón de sentido inverso mientras el ventilador esté funcionando.
8. Evite colocar objetos en el recorrido de las aspas del ventilador.
9. Para evitar lesiones personales o daños al ventilador y otros objetos, tome todos los recaudos necesarios al limpiar o trabajar en el ventilador.
10. No utilice agua ni detergente para limpiar el ventilador o las aspas del ventilador. Un paño seco o levemente humedecido será suficiente para realizar la mayoría de las tareas de limpieza.
11. Después de realizar las conexiones eléctricas, los empalmes de los conductores deben colocarse hacia arriba y empujarse con cuidado hacia arriba hasta introducirse en la caja de distribución eléctrica. Los cables deben estar bien espaciados con el conductor de puesta a tierra y el conductor de puesta a tierra del equipo de un costado de la caja de distribución eléctrica.
12. Los kits de iluminación no incluidos con el ventilador deben contar con certificación CUL y estar autorizados para uso con el modelo de ventilador que usted esté instalando. Los interruptores deben ser interruptores de uso general con certificación CUL. Consulte las instrucciones que se incluyen con los kits de iluminación y los interruptores para un ensamblaje adecuado.

ADVERTENCIA: PARA REDUCIR EL RIESGO DE LESIONES PERSONALES, NO CURVE LOS SOPORTES DE LAS ASPAS (TAMBIÉN DENOMINADOS ABRAZADERAS) DURANTE EL ENSAMBLAJE O DESPUÉS DE LA INSTALACIÓN. NO INSERTE OBJETOS EN EL RECORRIDO DE LAS ASPAS.

HERRAMIENTAS REQUERIDAS

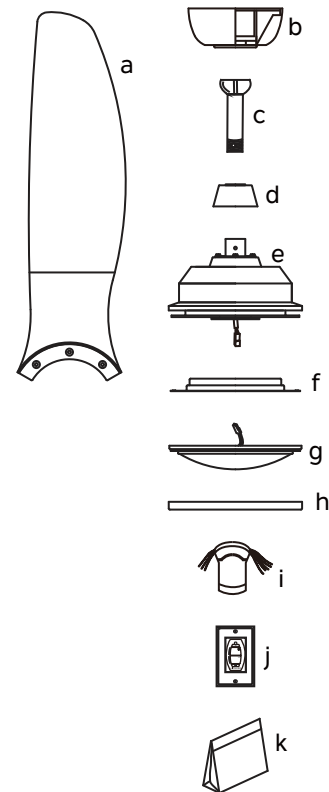
Destornillador Philips
Destornillador plano
Llave de 11 mm
Escalera
Cortacables



CONTENIDOS DEL ENVASE

Retire el ventilador de la caja y verifique que estén todos los componentes. La caja debería contener los siguientes elementos:

- a. Aspas del ventilador (3)
- b. Cubierta y soporte de montaje para cielorraso
- c. Ensamblaje de bola/vástago de extensión
- d. Tapa de acoplamiento
- e. Ensamblaje del motor del ventilador
- f. Placa de iluminación
- g. Kit de iluminación LED de 25 W
- h. Anillo decorativo
- i. Receptor
- j. Transmisor de pared
- k. Contenido de la bolsa de piezas:
 - 1) Piezas metálicas de montaje: arandelas de estrella (2), tuercas para cable (3), tornillos para metal (2), arandelas (2), tornillos (2)
 - 2) Piezas metálicas para acoplamiento de las aspas: tornillos con arandelas de seguridad (11), arandelas planas (11)
 - 3) Piezas metálicas del cable de seguridad: tirafondos, arandela de seguridad, arandela plana
 - 4) Kit de balanceo



OPCIONES DE MONTAJE

Si no hay ninguna caja de montaje existente con certificación UL (cUL para instalación en Canadá), entonces lea las siguientes instrucciones. Desconecte el suministro de energía eléctrica retirando los fusibles o apagando los disyuntores.

Sujete la caja de distribución directamente a la estructura de la construcción. Utilice tornillos de fijación y materiales de construcción. La caja de distribución eléctrica y su soporte deben ser capaces de soportar completamente el peso en movimiento del ventilador (por lo menos 50 libras). No utilice cajas de distribución eléctrica de plástico.

Las figuras 1, 2 y 3 son ejemplos de diferentes formas de montaje de la caja de distribución.

NOTA: Si usted está instalando el ventilador de techo en un cielorraso cóncavo (abovedado), es posible que necesite un vástago de extensión más largo para mantener la separación adecuada entre el extremo de las aspas y el techo. Se recomienda una separación de 12" para un funcionamiento óptimo.

NOTA: Dependiendo del lugar que haya seleccionado para la instalación, es posible que usted necesite comprar e instalar un "colgante de viga" para el soporte de la caja de distribución eléctrica. Asegúrese de que el colgante de viga que compre se haya diseñado para uso con ventiladores de techo. (Fig. 4)

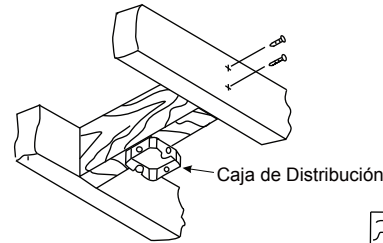


Fig. 1

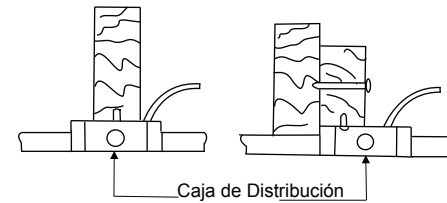


Fig. 2

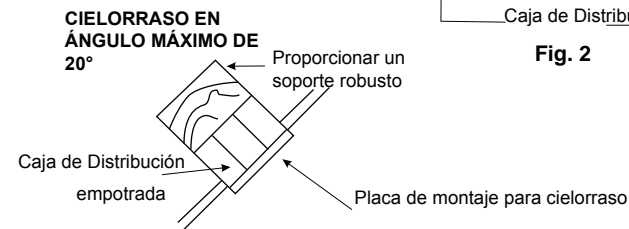


Fig. 3

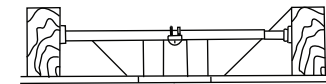


Fig. 4

CÓMO COLGAR EL VENTILADOR

RECUERDE desconectar el suministro de energía eléctrica antes de comenzar con la instalación.

Para instalar su ventilador de techo de manera adecuada, siga los pasos detallados a continuación.

Paso 1. Retire la tapa inferior de la cubierta decorativa haciéndola girar en sentido antihorario. (Fig. 5)

Paso 2. Retire el soporte de montaje para cielorraso de la cubierta quitando uno de los dos tornillos (que debe guardarse). Afloje media vuelta el otro tornillo. (Fig. 5)

Paso 3. Pase los cables de alimentación de 120 voltios desde la caja de distribución eléctrica del techo a través del centro de la placa de montaje de techo. (Fig. 6)

Paso 4. Acople el soporte de montaje para cielorraso a la caja de distribución eléctrica utilizando los tornillos y las arandelas incluidas con la caja de distribución. (Fig. 6)

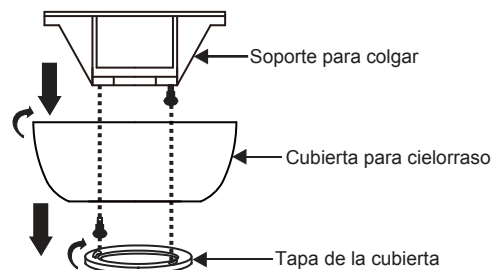


Fig. 5

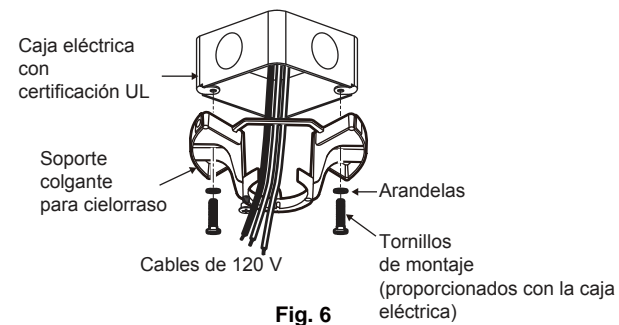


Fig. 6

CÓMO COLGAR EL VENTILADOR (Continuación)

Paso 5. Retire la bola colgante del ensamblaje del vástago de extensión aflojando el tornillo embutido, desatornillándolo y retirando el pasador transversal y desatornillando la bola del vástago. (Fig. 7)

Paso 6. Afloje los dos tornillos y retire el pasador de enganche y el clip de sujeción del acoplamiento en la parte superior del ensamblaje del motor. (Fig. 8)

Paso 7. Inserte con cuidado los cables eléctricos desde el ventilador hacia arriba a través del vástago de extensión. Enrosque el vástago de extensión en el acoplamiento hasta que los orificios del pasador de enganche estén alineados.

Luego, vuelva a colocar el pasador de enganche y el clip de sujeción. Ajuste ambos tornillos embutidos. (Fig. 8)

NOTA: Este ventilador está equipado con un vástago de extensión de 6". Corte los cables eléctricos si no tiene planeado utilizar un vástago de extensión tan largo.

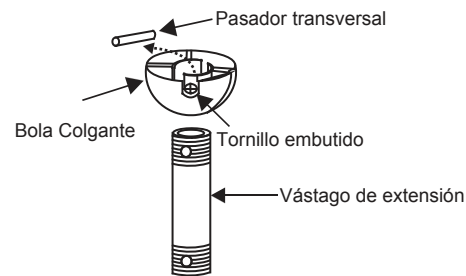


Fig. 7

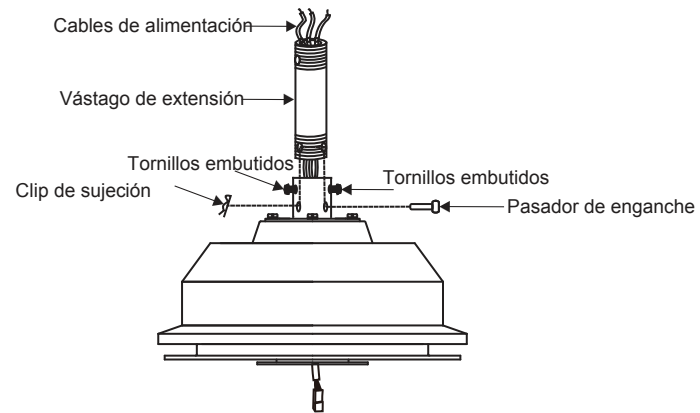


Fig. 8

CÓMO COLGAR EL VENTILADOR

(Continuación)

Paso 8. Deslice la tapa del acoplamiento, asegure el anillo, la tapa de la cubierta y la cubierta sobre el vástago de extensión. (Fig. 9)

Enrosque la bola colgante en el vástago de extensión, inserte el pasador transversal en el vástago de extensión y ajuste. Ahora, ajuste el tornillo embutido. (Fig. 9)

Paso 9. Ahora, levante el cuerpo del motor hasta ubicarlo en posición y coloque la bola colgante dentro del soporte de montaje para cielorraso. (Fig. 10)

Gire el ensamblaje completo hasta que la "pestaña de verificación" haya caído en la "ranura de registro" y se haya asentado con firmeza. (Fig. 10)

El cuerpo del motor no girará (hacia la derecha o hacia la izquierda) si esto no se hace correctamente.

ADVERTENCIA: Si no se vuelve a acoplar el pasador transversal y asentar la "pestaña de verificación" el ventilador podría caer durante su funcionamiento. Tome todos los recaudos necesarios para asegurarse de que el pasador vuelva a posicionarse en su lugar.

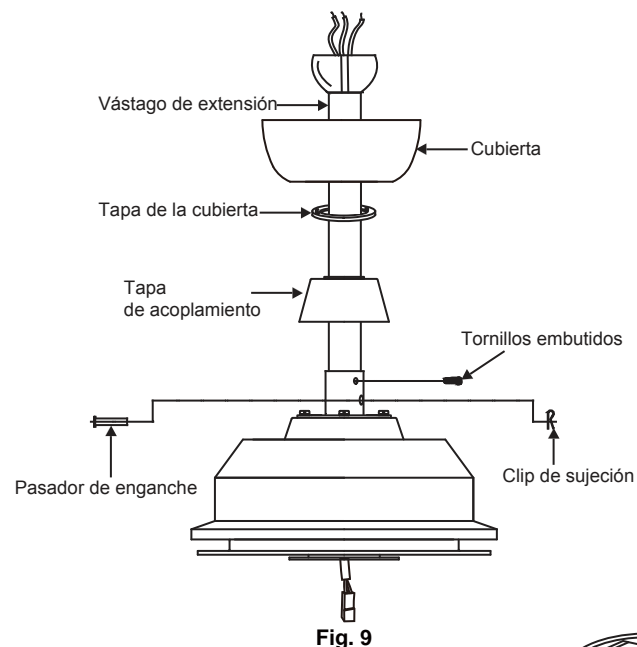


Fig. 9

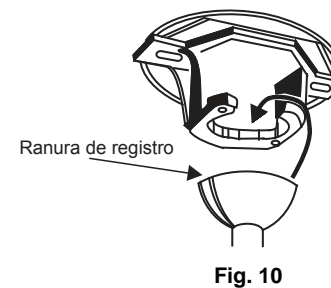


Fig. 10

INSTALACIÓN DEL SOPORTE DE SEGURIDAD

(se requiere ÚNICAMENTE para su instalación en Canadá)

Se incluye un cable de soporte de seguridad que contribuye a evitar que el ventilador de techo se caiga.

Step 1. Inserte un tirafondo y arandelas en el colgante de viga junto al soporte de montaje, pero no ajuste. (Fig. 11)

Paso 2. Ajuste la longitud del cable de seguridad para alcanzar el tornillo y las arandelas jalando todo el cable extra a través del sujetacables hasta que la longitud total sea la correcta; coloque el extremo del cable hacia atrás a través del sujetacables, formando un bucle al final del cable. Ajuste el sujetacables con firmeza. Ahora, coloque el bucle al final del cable de seguridad por encima del tirafondo y por debajo de la arandela. Ajuste bien el tirafondo.

NOTA : Aunque el cable de soporte de seguridad se requiere únicamente para instalaciones en Canadá, se recomienda su uso con cualquier instalación.n.

Paso 3. Inserte el receptor en el soporte de montaje para cielorraso con el lado plano del receptor mirando al techo. (Fig. 12) Para un mejor desempeño, asegúrese de que la antena negra, al final del receptor, permanezca extendida y no se enrosque con ningún cable eléctrico.

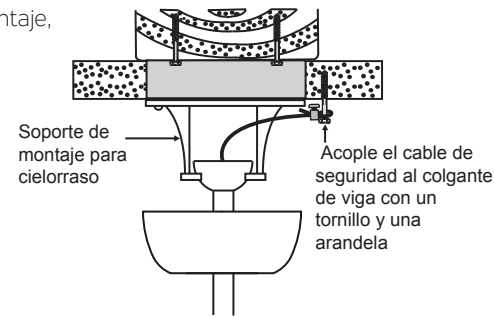


Fig. 11

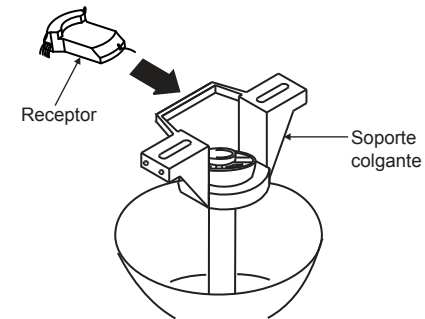


Fig. 12

CONEXIONES ELÉCTRICAS

ADVERTENCIA: Lea atentamente y conserve este Manual de instrucciones para referencia futura.

ADVERTENCIA :Para evitar posibles descargas eléctricas, asegúrese de haber desconectado el suministro de energía eléctrica desde el panel principal retirando el fusible o apagando el disyuntor.

ADVERTENCIA :Este control está diseñado para uso con "Ventiladores de techo con motor de CC " ÚNICAMENTE. NO utilice con ningún otro tipo de dispositivo eléctrico.

ADVERTENCIA: Todos los cables deben ajustarse a los códigos eléctricos nacionales y locales. Si usted considera que no tiene suficientes conocimientos de electricidad, contrate los servicios de un electricista con licencia profesional para la instalación del control.

ADVERTENCIA : El amperaje de su ventilador no debe exceder 1A. La potencia total en vatios de las luces debe ser de 300 W. Realice todas las conexiones eléctricas ilustradas en la Figura 13. Asegure cada una de las conexiones con las tuercas para cables proporcionadas.

A. Conexión eléctrica del ventilador de techo al receptor

Paso 1. Conecte el cable azul del ventilador (motor) con el cable azul del receptor. El cable blanco del ventilador (motor) con el cable blanco del receptor. El cable rojo del ventilador (motor) con el cable rojo del receptor. El cable gris del ventilador (motor) con el cable gris del receptor. (Fig. 13)

Paso 2. Si usted **no** tiene planeado utilizar el kit de iluminación con el ventilador en esta oportunidad, **NO** conecte los cables de color azul y blanco, y asegure respectivamente dichos cables con las **tuercas para cable**.

B. Conexión eléctrica del receptor a su hogar

Paso 1. Ensamblar los conectores de cables 2-P del receptor y del filtro: Negro con negro, Blanco con blanco. (Fig. 13)

Paso 2. Conectar el conductor de puesta a tierra de la alimentación de 120 V al cable verde del filtro y a uno de los cables el ventilador.

C. Conexión eléctrica del control de pared

Paso 1. Conecte el cable negro (AL MOTOR L) del control de pared con el cable negro de la caja de distribución eléctrica de pared. (Fig. 13)

Paso 2. Conecte el cable negro (CA EN L) del control de pared con el cable negro de la caja de distribución eléctrica de pared.

Paso 3. Si su caja de distribución tiene un cable de puesta a tierra (verde o cobre sin recubrimiento), conecte el cable de puesta a tierra amarillo/verde del control de pared a dicho cable; en caso contrario, conecte el cable de puesta a tierra amarillo/verde del control de pared directamente a uno de los tornillos de la caja de distribución eléctrica.

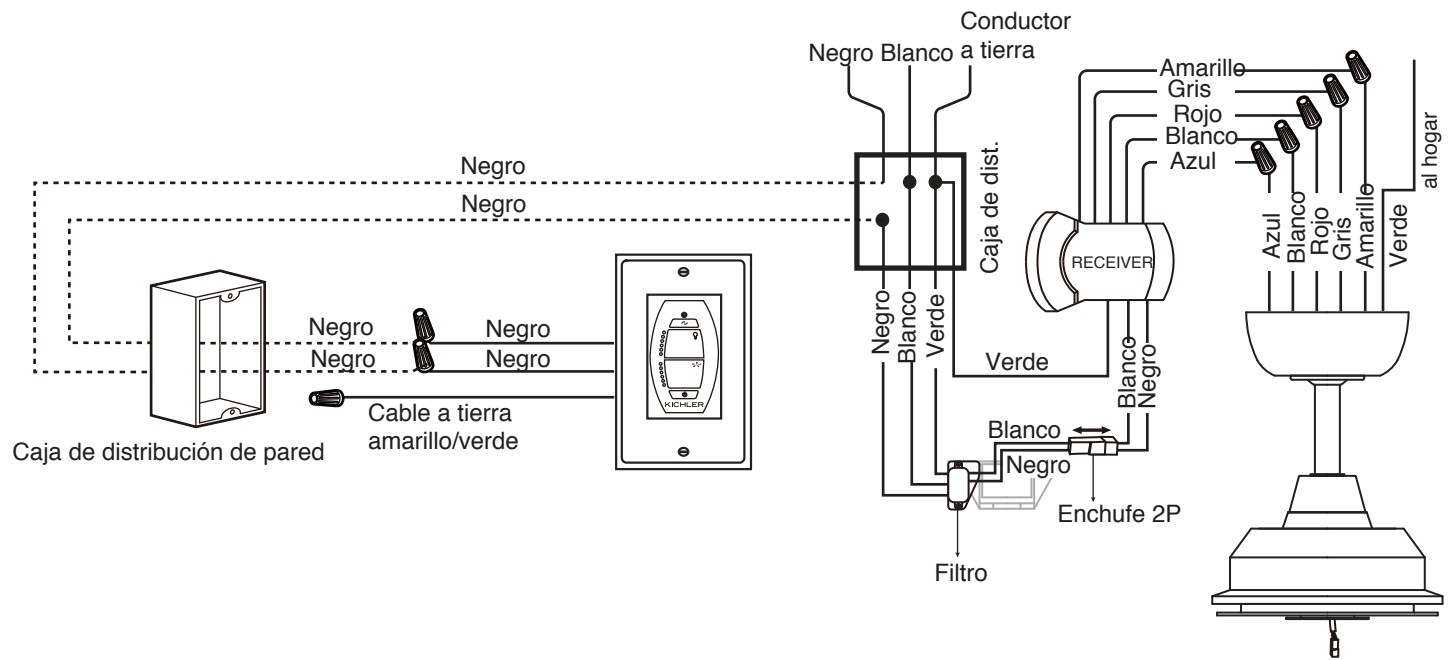


Fig. 13

FINALIZACIÓN DE LA INSTALACIÓN

Paso 1. Inserte las conexiones en forma ordenada dentro de la caja de distribución eléctrica del cielorraso.

Paso 2. Deslice la cubierta hacia arriba hasta el soporte de montaje y coloque una de las ranuras de los orificios principales sobre el tornillo de montaje en el soporte de montaje. Haga girar la cubierta hasta que el tornillo se trabe en posición en la sección angosta del orificio principal. Ver Figura 14.

Paso 3. Alinee el orificio circular restante sobre la cubierta con el orificio restante del soporte de montaje para cielorraso. Inserte y ajuste el tornillo de montaje que retiró anteriormente y el tornillo de montaje del Paso 2 arriba. Ahora, acople la tapa de la cubierta con las cabezas del tornillo de montaje insertando las cabezas de los tornillos del lado inferior de la tapa de la cubierta y haciendo girar la tapa en sentido horario.

NOTA: Ajuste los tornillos de la cubierta según sea necesario hasta que la cubierta y la tapa de la cubierta estén bien ajustadas. (Fig. 14)

ADVERTENCIA: Asegúrese de que la "Pestaña de verificación" en la parte inferior del soporte colgante esté bien apoyada en la "ranura de registro" en el costado de la bola colgante antes de acoplar la cubierta con el soporte. El asiento incorrecto de la "pestaña de verificación" puede dañar los cables eléctricos cuando la dirección de las aspas del ventilador del techo se modifique con el ventilador en movimiento.

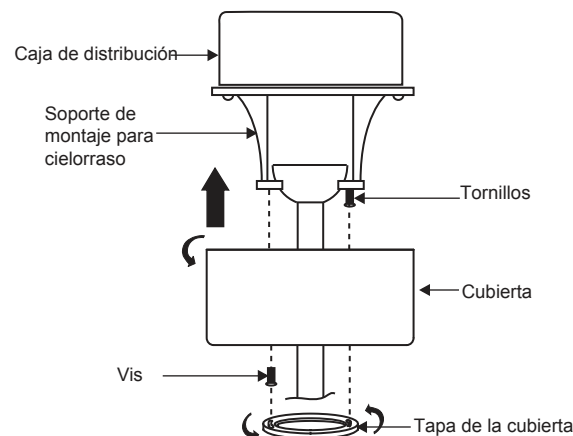


Fig. 14

ACOPLAMIENTO DE LAS ASPAS

Paso 1. Alinee los orificios del aspa con los orificios del motor y asegure el aspa con los tornillos y las arandelas plana proporcionados. (Fig. 15)

Paso 2. Repita este proceso para acoplar las otras dos aspas.

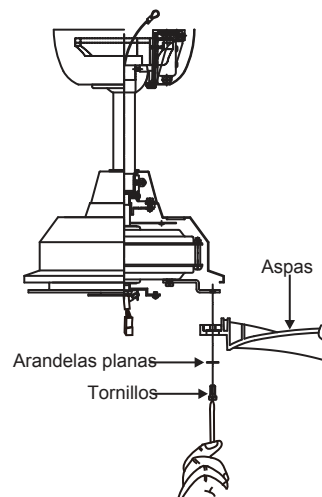


Fig. 15

INSTALACIÓN DE LA PLACA DE ILUMINACIÓN

Paso 1. Afloje los dos tornillos del anillo de montaje unido al eje del motor y "retire" y guarde el tercer tornillo. (Fig. 16)

Paso 2. Coloque las ranuras de los orificios principales en la placa de iluminación sobre los dos tornillos aflojados previamente en el anillo de montaje.

Gire la placa de iluminación hasta que se traben en posición en la sección angosta de las ranuras de los orificios principales.

Ajuste ambos tornillos de los orificios principales y vuelva a colocar el tercer tornillo retirado anteriormente y ajuste bien.

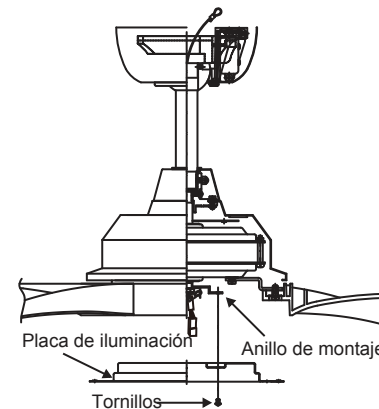


Fig. 16

INSTALACIÓN DEL KIT DE ILUMINACIÓN LED Y EL ANILLO DECORATIVO

NOTA: Antes de comenzar con la instalación, asegúrese de que la electricidad esté desconectada desde el disyuntor o retire el fusible de la caja de fusibles.

Paso 1. Afloje los dos tornillos de montaje del lado interno del kit de iluminación LED. (Fig. 17)

Paso 2. Mientras sostiene el kit de iluminación LED por debajo del motor del ventilador, conecte el cableado: (Fig. 17)

-Blanco con blanco

-Negro con negro

Paso 3. Inserte las conexiones en forma ordenada dentro de la placa de iluminación. Coloque el kit de iluminación LED cerca de la placa de iluminación, asegure ajustando los dos tornillos (Fig. 17).

Paso 4. Posicione las muescas en el anillo decorativo para que queden alineadas con las pestañas del kit de iluminación LED. Levante con cuidado el anillo decorativo hacia arriba dentro del kit de iluminación y asegúrelo al ventilador haciendo girar el anillo decorativo en sentido horario hasta que quede ajustado. NO AJUSTE EN EXCESO. (Fig. 18)

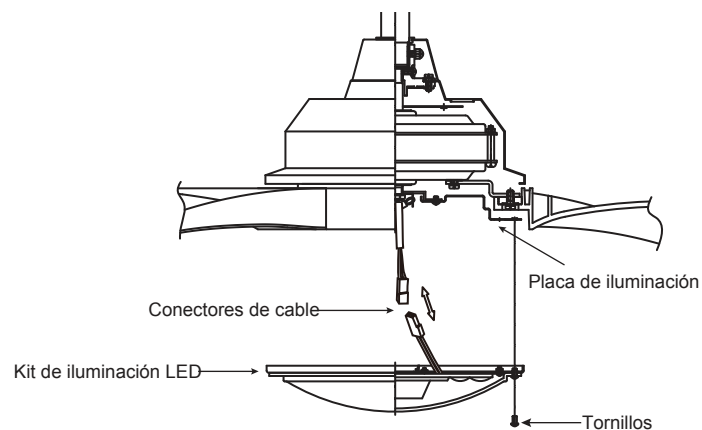


Fig. 17

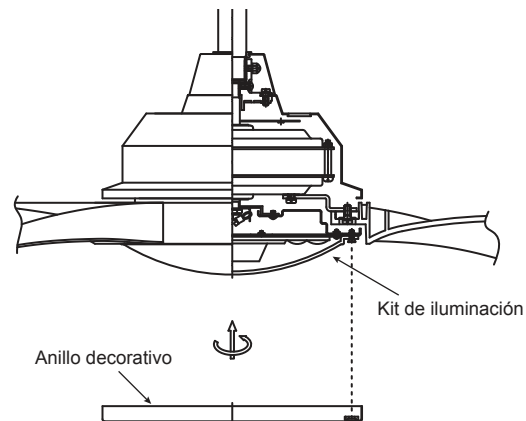


Fig. 18

CONFIGURACIÓN DEL SISTEMA DE CONTROL

IMPORTANTE: Las aspas del ventilador de techo DEBEN instalarse antes de comenzar con el procedimiento de emparejamiento.

Programa el control de pared y/o el control del mando a distancia por separado. Una vez que el emparejamiento se haya realizado con éxito, el control de pared y el mando a distancia podrán utilizarse para el ventilador.

Presione el botón de encendido en el control de pared para ENCENDER LA ENERGÍA. Las luces LED del control de pared parpadearán durante el proceso de encendido, aproximadamente 3 segundos.

Presione el botón "⏻" de encendido para apagar el control de pared (el botón estará arriba). Vuelva a conectar la energía al circuito derivado del ventilador de techo desde el disyuntor o la caja de fusibles. Dentro de los 60 segundos de haber conectado la energía, presione el botón "⏻" de encendido para encender el control de pared (el botón estará abajo) y luego presiones el botón "↺" de sentido inverso durante 3 a 5 segundos. La luz parpadeará una vez. El control remoto ahora está programado y listo para utilizarse con su ventilador.

IMPORTANTE: No interrumpa el acondicionamiento hasta que el ventilador se haya detenido por completo en aproximadamente 5 minutos. Todas las funciones del control se rechazarán durante el acondicionamiento.

Pruebe diferentes configuraciones de velocidades en el control de pared y el mando a distancia para asegurarse de que el ventilador esté funcionando de manera adecuada. Si la programación no es exitosa, vuelva a intentarlo comenzado desde el paso 1 una vez más.

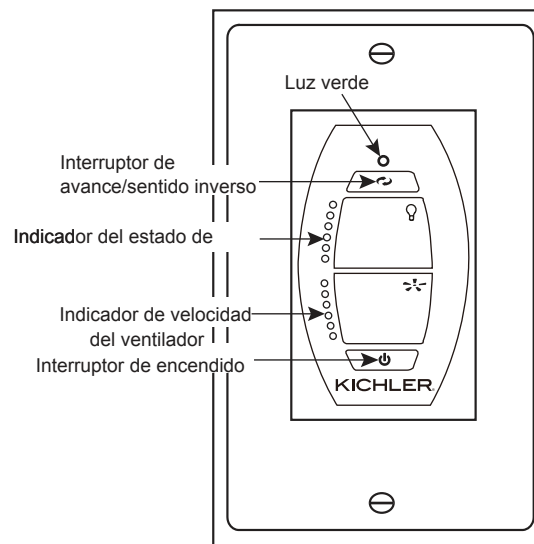


Fig. 19

INSTRUCCIONES DE LOS BOTONES

Indicador de LED rojo: Indicador de señal del transmisor. Cuando se envíe una señal de RF, se iluminará la luz roja.

LED verde: Para mostrar el indicador de avance/sentido inverso.

Botón ON/OFF "🔌"

ON: Enciende la energía.

OFF: Apaga la energía.

Botón de sentido inverso "↺"

Cuando el ventilador esté funcionando, presione una vez y suelte el botón de sentido inverso; el ventilador cambiará el sentido de su rotación. Flujo vertical: El indicador LED verde estará apagado. Sentido inverso: El indicador LED verde estará encendido.

Botón de luz "💡"

Presione y suelte el botón de la luz para controlar el encendido/apagado de la luz. Los LED indicadores de luz mostrarán el estado actual de la luz. Si la luz está APAGADA, el LED indicador de la luz también estará apagado. Presione y MANTENGA PRESIONADO el botón de luz durante más de 1 segundo y el kit de iluminación comenzará a regular la intensidad de la luz. El LED indicador mostrará el cambio del estado del nivel de iluminación. El nivel de iluminación fluctúa entre claro y oscuro y regresa a claro cuando se mantiene presionado el botón de la luz.

Control del ventilador "🌀"

Presione y mantenga presionado el botón de velocidad del ventilador para el control del encendido/apagado del ventilador. El LED indicador del ventilador ilustrará la velocidad actual del ventilador. Si el ventilador está APAGADO, los LED indicadores de velocidad del ventilador también estarán APAGADOS. Presione y mantenga presionado el botón de velocidad del ventilador por más de 1 segundo para comenzar el ajuste de las velocidades del ventilador. Los LED indicadores mostrarán el nivel de velocidad actual. EL ajuste de velocidad del ventilador se ajusta en un ciclo de repetición cuando el botón de velocidad esté presionado. Las velocidades se ajustan de alta a baja, y luego en sentido contrario de baja a alta.

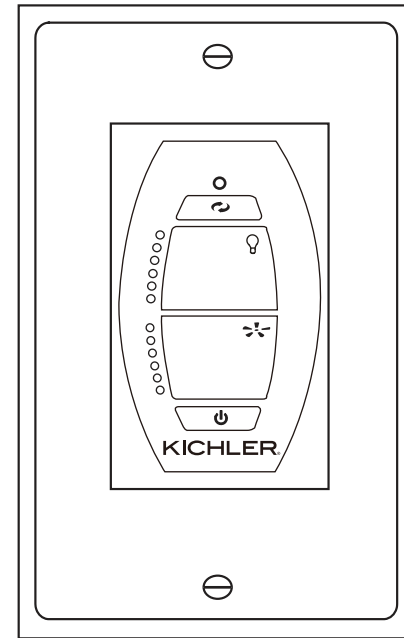


Fig. 20

PROCEDIMIENTOS DE EMPAREJAMIENTO DE CONTROL DE CC SIN SENSORES

IMPORTANTE: Las aspas del ventilador de techo **DEBEN** instalarse antes de comenzar con el procedimiento de emparejamiento.

Paso 1. Programe el control de pared y/o el control del mando a distancia por separado. Una vez que el emparejamiento se haya realizado con éxito, el control de pared y el mando a distancia podrán utilizarse para el ventilador.

Para el control de pared, presione el botón de encendido para apagar el control de pared (el botón estará arriba). Vuelva a conectar la energía al circuito derivado del ventilador de techo desde el disyuntor o la caja de fusibles. Dentro de los 60 segundos de haber conectado la energía, presione el botón de encendido "⏻" para encender el control de pared (el botón estará abajo) y luego presiones el botón de sentido inverso "↺" durante 3 a 5 segundos. La luz parpadeará una vez. El control remoto ahora está programado y listo para utilizarse con su ventilador.

Para control del mando a distancia, Vuelva a conectar la energía al circuito derivado del ventilador de techo desde el disyuntor o la caja de fusibles. Dentro de los 60 segundos de haber conectado la energía, presione el botón de encendido "⏻" para encender el control de pared (el botón estará abajo) y luego presiones el botón de sentido inverso durante 3 a 5 segundos. La luz parpadeará una vez. El control remoto ahora está programado y listo para utilizarse con su ventilador.

IMPORTANTE: No interrumpa el acondicionamiento hasta que el ventilador se haya detenido por completo en aproximadamente 5 minutos. Todas las funciones del control se rechazarán durante el acondicionamiento.

Paso 2 Pruebe diferentes configuraciones de velocidades en el control de pared y el mando a distancia para asegurarse de que el ventilador esté funcionando de manera adecuada Si la programación no es exitosa, vuelva a intentarlo comenzado desde el paso 1 una vez más.

INSTALACIÓN DE LA PLACA DE PARED DEL SISTEMA DE CONTROL DE PARED

Seleccione una ubicación para instalar la placa de pared y el transmisor del sistema de control de pared.

RECUERDE también que debería mencionarse que el control no puede instalarse en exteriores. Usted puede utilizar el transmisor en exteriores en forma segura, pero debe instalarse en interiores lejos del calor excesivo y del contacto con el agua y la humedad.

Instale la placa de pared utilizando una caja de distribución eléctrica de pared existente. Asegúrese de que la potencia eléctrica este APAGADA desde el panel principal antes de continuar.

Si su caja de distribución tiene un cable de puesta a tierra (verde o cobre sin recubrimiento), conecte el cable de puesta a tierra amarillo/verde del interruptor de pared y/o el soporte de montaje para cielorraso y vuelva a empujarlos al interior de la caja de distribución eléctrica.

Instale la placa de pared en la caja de distribución eléctrica existente utilizando los tornillos proporcionados. (Fig. 21)

Después de haber instalado los anclajes de pared, acople la placa de pared con los tornillos de montaje para finalizar la instalación.

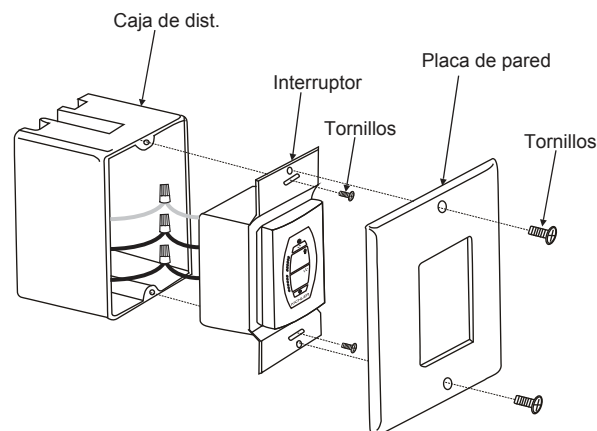


Fig. 21

INSTRUCCIONES DE FUNCIONAMIENTO

Clima cálido - Avance (sentido antihorario) Un flujo de aire descendente crea un efecto de enfriamiento tal como se muestra en la Fig. 22. Esto permite configurar su acondicionador de aire en casos de clima más cálido sin afectar su comodidad.

Clima frío - Sentido inverso (sentido horario) Un flujo de aire ascendente desplaza el aire caliente del área del cielorraso tal como se muestra en la Fig. 23. Esto permite configurar la calefacción en casos de clima más fresco sin afectar su comodidad.

NOTA: Para cambiar la dirección del flujo de aire del ventilador de techo utilice el botón de avance/sentido inverso del transmisor de control de pared.

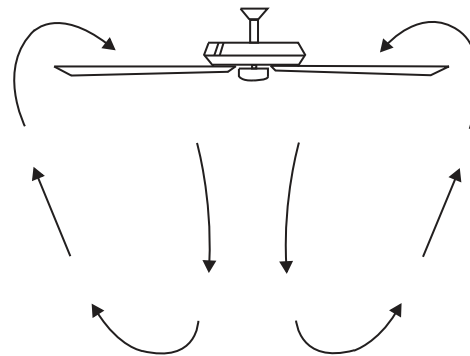


Fig. 22

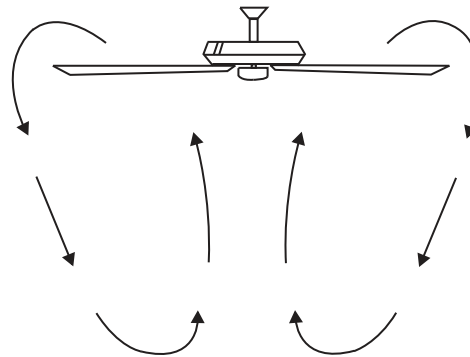


Fig. 23

LOCALIZACIÓN Y RESOLUCIÓN DE PROBLEMAS

Problema	Solución
El ventilador no arranca.	<ol style="list-style-type: none">1. Controle el funcionamiento de los fusibles de circuito o los disyuntores.2. Verifique todas las conexiones eléctricas para asegurar el debido contacto. <p>PRECAUCIÓN: Asegúrese de que la corriente principal esté DESCONECTADA al verificar cualquier conexión eléctrica.</p>
El ventilador hace mucho ruido.	<ol style="list-style-type: none">1. Asegúrese de que todos los tornillos de la caja del motor estén ajustados.2. Asegúrese de que los tornillos que sujetan los soportes de las aspas del ventilador al motor estén ajustados.3. Asegúrese de que las conexiones empalmadas con conectores no se rocen entre sí o contra la pared interna de la caja de interruptores. PRECAUCIÓN: Asegúrese de que la corriente principal esté desconectada.4. Se requiere un lapso de "adaptación" de 24 horas. La mayoría de los ruidos asociadas con un nuevo ventilador desaparecen en este lapso.5. Si se utiliza un kit de iluminación opcional, asegúrese de que los tornillos que sujetan las piezas de vidrio estén ajustados. Asegúrese de que las bombillas de luz no estén tocando ningún otro componente.6. No conecte el ventilador a un control o controles de velocidad variable de pared. No son compatibles con los motores de los ventiladores de techo o los controles remotos.7. Asegúrese de que la cubierta superior esté cerca del techo. No debe tocar el techo.
El ventilador tambalea.	<ol style="list-style-type: none">1. Verifique que todos los tornillos de las aspas y de los brazos de las aspas estén ajustados.2. La mayoría de los problemas de tambaleo de los ventiladores son provocados por la desigualdad de los niveles de las aspas. Verifique este nivel seleccionando un punto en el techo por encima del extremo de una de las aspas. Mida esta distancia. Haga girar el ventilador hasta posicionar la siguiente aspa para su medición. Repita con cada aspa. La desviación de la distancia debe ser igual dentro de 1/8".3. Si el tambaleo de las aspas aún puede apreciarse, el intercambio de dos aspas adyacentes (una junto a la otra) permite redistribuir el peso y posiblemente resulte en un mejor funcionamiento.
Mal funcionamiento del control remoto.	<ol style="list-style-type: none">1. Los ventiladores de techo con sistemas de control remoto NO PUEDEN operarse junto con ningún otro sistema de control SALVO un interruptor básico de encendido/apagado de pared, si así se desea.

KICHLER®

www.kichler.com

KICHLER® LIGHTING

7711 EAST PLEASANT VALLEY ROAD P.O. BOX 318010

CLEVELAND, OHIO 44131-8010

SERVICIO DE ATENCIÓN AL CLIENTE 866.558.5706

8:30 AM A 5:00 PM HORA DEL ESTE, DE LUNES A VIERNES

KICHLER®

IMARI 165 (65 PO)

Les illustrations du produit peuvent différer légèrement du produit actuel.



MANUEL D'INSTRUCTIONS

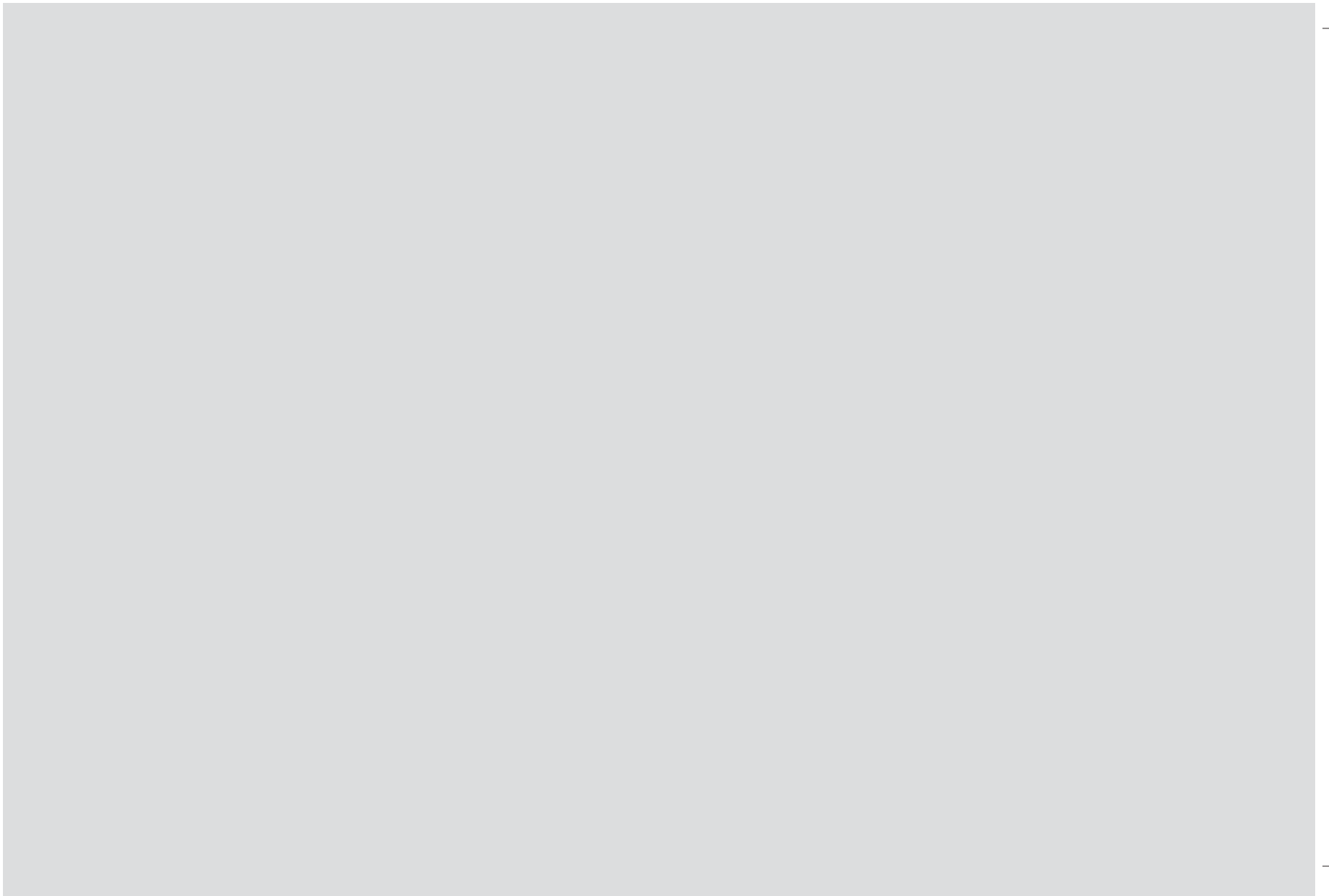


TABLE OF CONTENTS

CONSIGNES DE SÉCURITÉ.....	4	INSTALLATION DU KIT D'ÉCLAIRAGE À LED	
OUTILLAGE REQUIS	5	ET DU CACHE EN VERRE	15
CONTENU DE L'EMBALLAGE.....	5	RÉGLAGE DU SYSTÈME DE COMMANDE	16
OPTIONS DE MONTAGE	6	INSTRUCTION SUR LES BOUTONS.....	17
SUSPENSION DU VENTILATEUR.....	7	PROCÉDURES DE JUMELAGE CC SANS CAPTEUR.....	18
INSTALLATION DU SUPPORT DE SÉCURITÉ.....	10	INSTALLATION DE LA PLAQUE MURALE	
CONNEXIONS ÉLECTRIQUES.....	11	POUR LE SYSTÈME DE LA COMMANDE MURALE.....	19
DERNIÈRES ÉTAPES DE L'INSTALLATION.....	13	CONSIGNES D'UTILISATION.....	20
DERNIÈRES ÉTAPES DE L'INSTALLATION.....	14	DÉPANNAGE.....	21
INSTALLATION DE LA PLAQUE D'ÉCLAIRAGE	14		

CONSIGNES DE SÉCURITÉ

1. Pour réduire les risques de choc électrique, s'assurer que l'électricité a été coupée au niveau du disjoncteur ou de la boîte de fusibles avant de procéder à l'installation.
2. Le câblage doit être installé conformément au code national d'électricité américain (NEC) ou au code d'électricité local en vigueur. Les travaux d'électricité doivent être exécutés par un électricien agréé qualifié.
3. **AVERTISSEMENT** : Ne convient pas pour une utilisation avec des commandes de vitesse à semi-conducteur.
4. **AVERTISSEMENT** : Pour réduire le risque d'incendie, de choc électrique ou de blessure, installer uniquement sur une boîte marquée "acceptable pour le support des ventilateurs de 15,8 KG (35 lb) ou moins" et utiliser les vis de montage fournies avec la boîte à prises. La plupart des boîtes à prises utilisées actuellement pour supporter les luminaires ne sont pas capable de supporter un ventilateur et leur remplacement peut s'avérer nécessaire. En raison de la complexité de l'installation de ce ventilateur, il est fortement recommandé de confier la tâche à un électricien qualifié.

AVERTISSEMENT : POUR RÉDUIRE LES RISQUES D'INCENDIE, CHOC ÉLECTRIQUES OU BLESSURES, INSTALLER LE VENTILATEUR SUR LA BOÎTE À PRISES MARQUÉE "CAPABLE DE SUPPORTER UN VENTILATEUR".

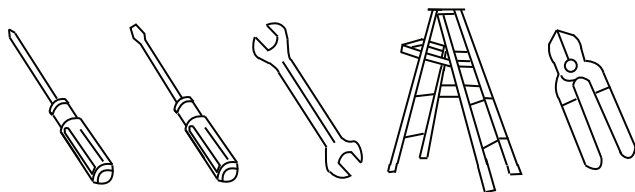
5. La boîte à prises et la structure de support doivent être solidement fixées et capables de supporter de manière fiable un minimum de 23 kg. Utiliser uniquement des boîtes à prises homologuées CUL marquées "POUR SUPPORT DE VENTILATEUR".
6. Le ventilateur doit être installé à une distance de 2,13 m minimum du bord de fuite des pales par rapport au sol.
7. Pour utiliser la fonction inverse sur ce ventilateur, appuyez sur le bouton de marche arrière pendant que le ventilateur est en marche.

8. Éviter de placer des objets dans la trajectoire des pales.
9. Pour éviter des blessures ou des dommages au ventilateur et autres objets, prendre toutes les précautions nécessaires lors de travaux effectués près du ventilateur ou lors du nettoyage du ventilateur.
10. Ne pas utiliser d'eau ni de détergents pour nettoyer le ventilateur ou les pales du ventilateur. Utiliser un chiffon à poussière sec ou légèrement imbibé pour effectuer la majeure partie du nettoyage.
11. Après avoir effectué les connexions électriques, les conducteurs épissés doivent être tournés vers le haut et soigneusement rentrés dans la boîte à prises. Les fils doivent être séparés avec le conducteur de mise à la terre et celui de mise à la terre d'équipement situé sur le même côté de la boîte à prises.
12. Les schémas électriques sont indiqués à titre de référence uniquement. Les kits d'éclairage qui ne sont pas emballés avec le ventilateur doivent être homologués CUL et marqués compatible pour une utilisation avec le modèle de ventilateur à installer. Les commutateurs doivent être pour une utilisation d'ordre général homologués CUL. Reportez-vous aux instructions fournies avec les kits d'éclairage et les commutateurs pour garantir un assemblage correct.

AVERTISSEMENT : POUR REDUIRE LE RISQUE DE BLESSURES, NE PAS PLIER LES SUPPORTS DE PALES (APPELÉS ÉGALEMENT BRIDES) LORS DU MONTAGE OU APRÈS L'INSTALLATION NE PAS PLACER D'OBJETS DANS LA TRAJECTOIRE DES PALES.

OUTILLAGE REQUIS

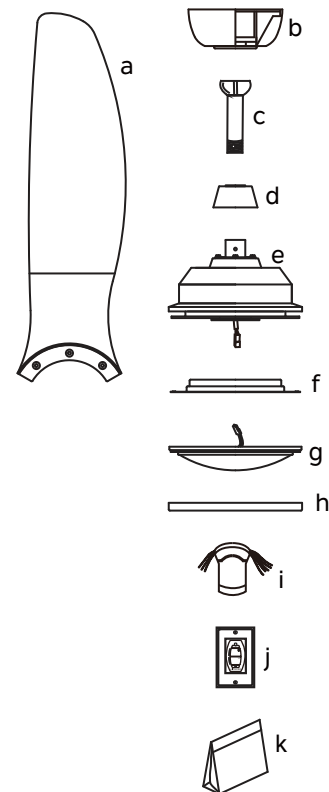
Tournevis Philips
Tournevis plat
Clé de 11 mm
Marche-pieds
Coupe-fil



CONTENU DE L'EMBALLAGE

Déballiez votre ventilateur et vérifiez le contenu. Vous devriez disposer des éléments suivants :

- a. Pales de ventilateur (3)
- b. Cache et support de montage au plafond
- c. Ensemble boule/tige
- d. Capot de l'accouplement
- e. Groupe moteur ventilateur
- f. Plaque d'éclairage
- g. Kit d'éclairage à LED 25W
- h. Anneau décoratif
- i. Récepteur
- j. Émetteur mural
- k. Contenu du sac de pièces:
 - 1)Matériel de montage : rondelles éventail (2), et serre-fils (3), vis mécaniques (2), rondelles (2), vis(2)
 - 2)Matériel de montage des pales: Vis avec rondelle de blocage (11), Rondelles plates (11)
 - 3)Matériel pour câble de sécurité : Vis à bois, Rondelle de blocage, rondelle plate
 - 4)Kit d'équilibrage



OPTIONS DE MONTAGE

En l'absence d'une boîte de montage homologuée UL (cUL pour les installations canadiennes), prendre connaissance des instructions suivantes. Débrancher l'alimentation en retirant les fusibles ou en déclenchant les disjoncteurs.

Fixer la boîte à prises directement sur la structure du bâtiment. Utiliser des attaches et des matériaux de construction appropriés. La boîte à prises et son support doivent être en mesure de soutenir le poids du ventilateur en mouvement (au moins 22 kg). Ne pas utiliser de boîtes à prises en plastique.

Les figures 1, 2 et 3 sont des exemples illustrant les différents montages possibles de la boîte à prises.

REMARQUE : Si vous installez le ventilateur de plafond sur un plafond voûté, vous pouvez avoir besoin d'une tige de suspension plus longue pour maintenir un dégagement approprié entre la pointe de la pale et le plafond. Un espace minimum de 30 cm est recommandé pour un fonctionnement optimal.

REMARQUE : Selon l'emplacement sélectionné pour l'installation, il peut s'avérer nécessaire d'acheter et d'installer un étrier à solive pour soutenir la boîte à prises. S'assurer que l'étrier à solive a été conçu pour une utilisation avec des ventilateurs de plafond. (Fig. 4)

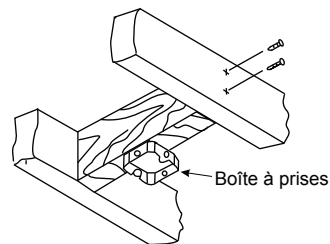


Fig. 1

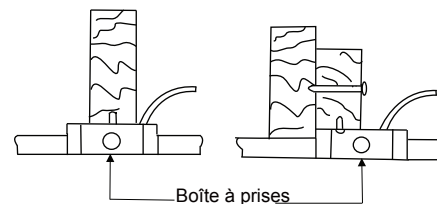


Fig. 2

ANGLE 20° MAXIMUM POUR PLAFOND INCLINÉ
Fournir un support renforcé

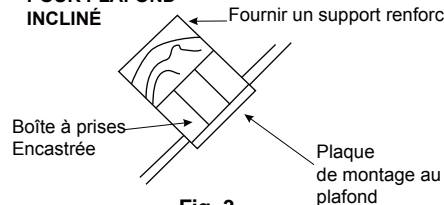
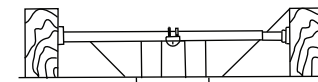


Fig. 3



Boîte à prises
Fig. 4

SUSPENSION DU VENTILATEUR

TOUJOURS couper l'alimentation avant de procéder à l'installation.

Pour installer correctement votre ventilateur de plafond, procéder comme suit.

Étape 1. Retirez le couvercle du fond du cache décoratif en tournant dans le sens antihoraire.(Fig. 5)

Étape 2. Retirez le support de montage au plafond du cache en enlevant (mais en la conservant pour la suite) l'une des deux vis. Desserrez la vis restante d'un demi-tour. (Fig. 5)

Étape 3. Faites passer les fils 120 V d'alimentation de la boîte à prises du plafond par le centre du support de montage au plafond.(Fig. 6)

Étape 4. Fixez le support de montage au plafond à la boîte à prises en utilisant les vis et les rondelles fournies avec la boîte à prises.(Fig.6)

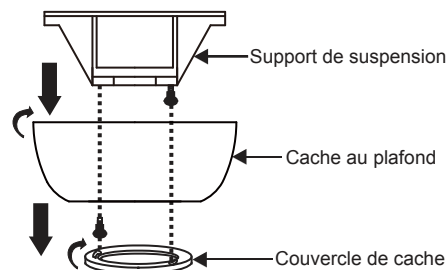


Fig. 5

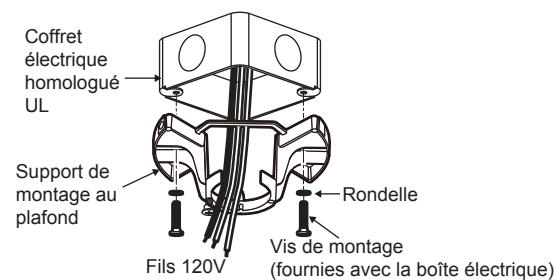


Fig. 6

SUSPENSION DU VENTILATEUR (suite)

Étape 5. Retirez la boule de suspension de la tige de suspension en desserrant la vis, en dévissant et en dégageant la broche transversale et en dévissant la balle de la tige. (Fig. 7)

Étape 6. Desserrez les deux vis de pression et enlevez la goupille ainsi que le clip de fixation de l'accouplement sur le dessus du moteur (Fig. 8)

Étape 7. Acheminez soigneusement les fils conducteurs électriques depuis le ventilateur vers le haut par la tige de suspension. Installez la tige de suspension dans l'accouplement. Installez la tige de suspension dans l'accouplement jusqu'à ce que les trous de goupille soient alignés.

Remplacez ensuite la goupille et le clip de fixation. Serrez les deux vis de pression. (Fig. 8)

REMARQUE : Ce ventilateur est livré avec une tige de suspension de 15 cm. Couper les fils si l'installation ne nécessite pas de tige de suspension plus longue.

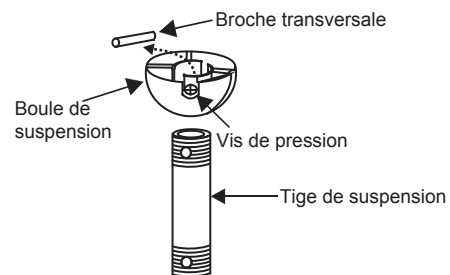


Fig. 7

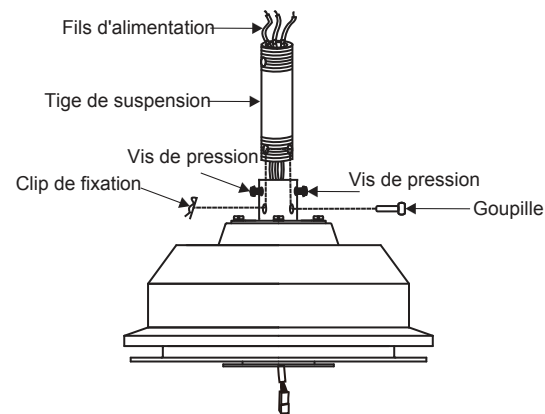


Fig. 8

SUSPENSION DU VENTILATEUR (suite)

Étape 8. Faites glisser le couvercle d'accouplement, l'anneau de sécurité, le couvercle du cache et le cache sur la tige de suspension.(Fig. 9)

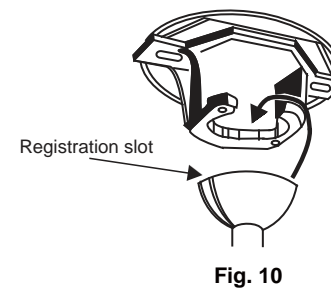
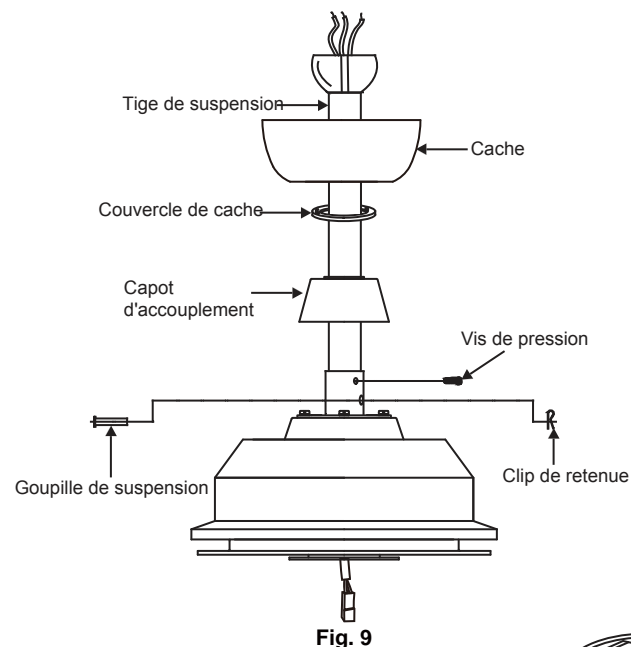
Vissez la balle de suspension sur la broche de suspension, insérez la broche transversale par la tige de suspension et serrez. Serrez maintenant la vis de pression. (Fig. 9)

Étape 9. Soulevez le moteur en position et placez la boule de suspension dans le support de montage au plafond.

Tournez l'ensemble jusqu'à ce que "Check Tab" se trouve dans "Registration Slot" et qu'il soit fermement logé.(Fig. 10)

Le moteur entier ne doit pas tourner (à gauche ou à droite) lorsque l'installation est bien logée.

AVERTISSEMENT : Toujours fixer à nouveau la broche transversale et placer le "Check Tab" correctement sous risque de faire tomber le ventilateur du plafond pendant le fonctionnement. Prendre toutes les précautions nécessaires pour s'assurer que cette broche est remise en place.



INSTALLATION DU SUPPORT DE SÉCURITÉ

(requis UNIQUEMENT dans le cas d'une installation Canadienne)

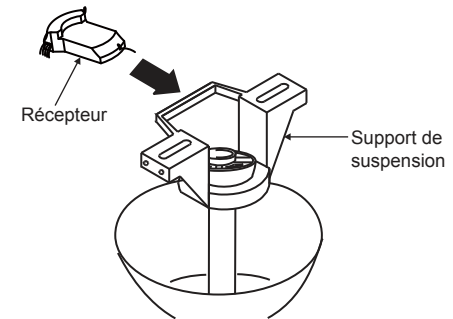
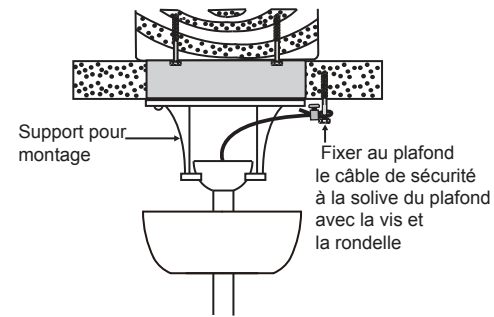
Le câble de support de sécurité qui est fourni pour empêcher la chute du ventilateur.

Étape 1. Fixez la vis à bois et les rondelles fournies à la solive du plafond à côté du support de montage sans serrer. (Fig. 11)

Étape 2. Ajustez la longueur du câble de sécurité pour atteindre la vis et les rondelles en tirant l'excès de câble à travers le serre-câble jusqu'à ce que la longueur totale soit correcte. Placez l'embout du câble à travers le serre-câble en formant une boucle à l'extrémité du câble. Serrez bien le serre-câble. Mettez maintenant la boucle à l'extrémité du câble de sécurité au-dessus de la vis à bois et sous la rondelle. Serrez bien la vis à bois.

REMARQUE : Bien que le câble de support de sécurité ne soit requis que pour les installations canadiennes, il est recommandé de l'utiliser avec toute installation.

Étape 3. Insérez le récepteur dans le support de montage du plafond avec le côté plat du récepteur face au plafond. (Fig. 12) Pour optimiser la performance, assurez-vous que l'antenne Noire, sur l'extrémité du récepteur, est toujours étendue et non entortillée avec des fils électriques.



CONNEXIONS ELECTRIQUES

AVERTISSEMENT : Lire avec attention et conserver ce manuel d'instructions pour toute référence future.

AVERTISSEMENT : Pour éviter tout choc électrique, s'assurer que l'électricité est coupée au niveau du panneau du secteur en retirant un fusible ou en déclenchant le disjoncteur.

AVERTISSEMENT : Cette commande a été conçue pour être utilisée UNIQUEMENT avec les "ventilateurs au plafond avec moteur CC". Ne pas l'utiliser avec tout autre type d'appareil électrique.

AVERTISSEMENT : Le câblage doit être installé conformément aux codes d'électricité nationaux et locaux. Si vous avez des doutes sur vos connaissances en matière d'électricité, demandez à un électricien qualifié d'installer la commande.

AVERTISSEMENT : L'ampérage pour votre ventilateur ne doit pas dépasser 1 A. L'ampérage total pour l'éclairage est de 300 W.

Effectuer toutes les connexions illustrées sur la Figure 13. Fixer chacune des connexions avec les serre-fils fournis.

A. Connexion des fils entre le ventilateur au plafond et le récepteur

Étape 1. Connectez le fil Bleu d ventilateur (moteur) au fil Bleu marqué du récepteur. Acheminez le fil blanc du ventilateur (moteur) au fil Blanc du récepteur. Acheminez le fil Rouge du ventilateur (moteur) au fil Rouge du récepteur. Acheminez le fil Gris du ventilateur (moteur) au fil Gris du récepteur. (Fig. 13)

Étape 2. Si vous **ne planifiez pas** d'utiliser le kit d'éclairage avec votre ventilateur pour l'instant, **NE PAS** connecter les fils Bleu et Blanc et sécuriser respectivement les fils Bleu et Blanc avec un **serre-fil**.

B. Connexion des fils entre le récepteur et le fil du domicile

Étape 1. Enclenchez ensemble les fiches de connexion des fils 2-P du récepteur et du filtre : Noir à Noir, Blanc à Blanc. (Fig. 13)

Étape 2. Connectez le conducteur de terre de l'alimentation 120 V au fil Vert du filtre et un du ventilateur.

C. Connexion des fils de la commande murale

Étape 1. Acheminez le fil Noir (AU MOTEUR L) de la commande murale au fil Noir de la boîte à prises murale. (Fig. 13)

Étape 2. Acheminez le fil Noir (AC IN L) de la télécommande au fil Noir de la boîte à prises murale.

Étape 3. Si votre boîte à prises murale dispose d'un fil de terre (vert ou cuivre nu), connectez-le avec le fil de terre jaune/vert de la commande murale ; si elle n'en dispose pas, connectez le fil de terre jaune/vert de la commande murale directement à l'une des vis de la boîte à prises murale.

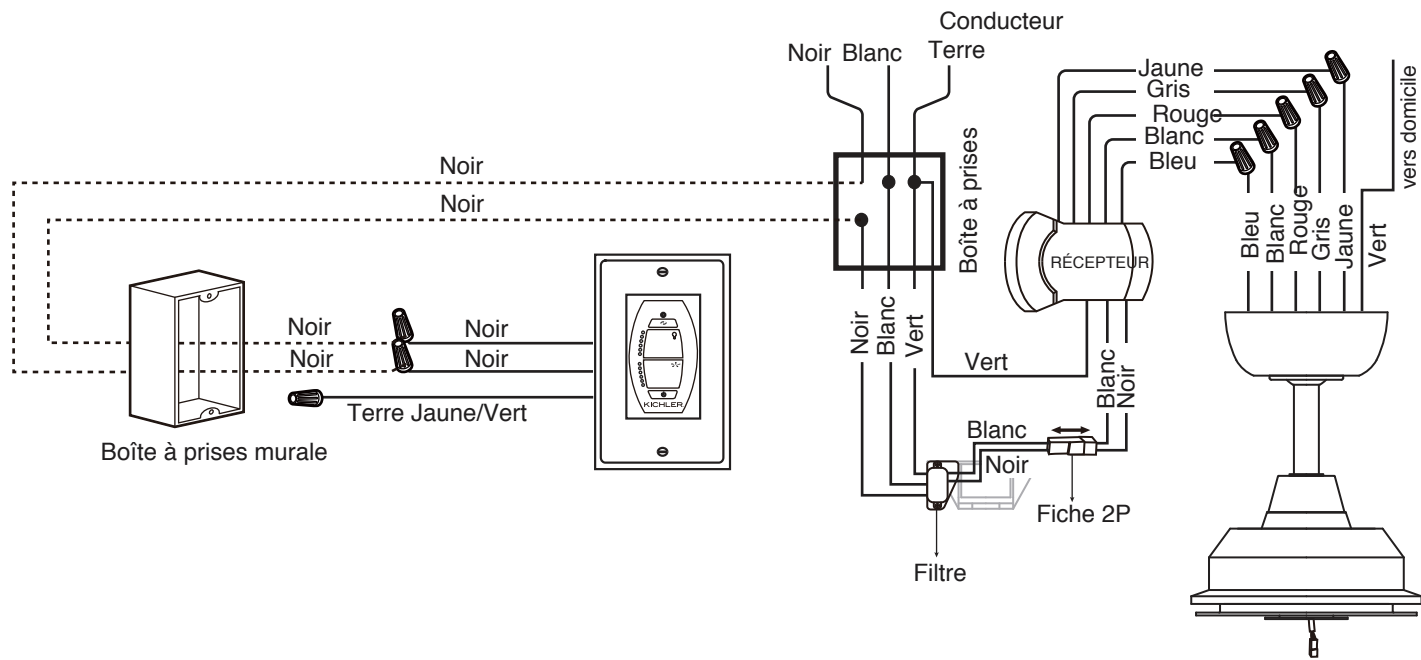


Fig. 13

DERNIÈRES ÉTAPES DE L'INSTALLATION

Étape 1. Placez toutes les connexions soigneusement dans la boîte à prises du plafond.

Étape 2. Faites glisser le cache jusqu'au support de montage et placez l'une des fentes en forme de trou de serrure au-dessus de la vis de montage sur le support de montage. Tournez le cache jusqu'à ce que la tête de la vis soit verrouillée en place à la section étroite du trou de serrure. Voir la figure 14.

Étape 3. Alignez le trou circulaire restant sur le cache au trou restant sur le support de montage au plafond. Insérez et serrez la vis de montage retirée plus tôt et la vis de montage de l'étape 2 ci-dessus. Fixez maintenant le couvercle du cache sur les têtes de vis de montage en insérant les têtes de vis dans la partie inférieure du cache et en tournant le couvercle dans le sens horaire.

REMARQUE : Régler les vis du cache jusqu'à ce que le cache et le couvercle du cache soient ajustés correctement.(Fig. 14)

AVERTISSEMENT : Assurez-vous que "Check Tab" (languette de contrôle) en bas du support de suspension soit bien calée dans la "Registration Slot (fente d'installation)" sur le côté de la boule de suspension avant de fixer le cache au support. Si la languette de contrôle n'est pas logée correctement dans la fente d'installation, les fils électriques peuvent être endommagés lorsque la direction des pales du ventilateur change alors que le ventilateur est en marche.

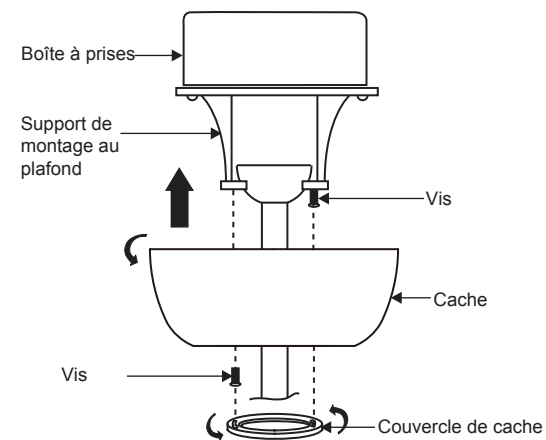


Fig. 14

FIXATION DES PALES DU VENTILATEUR

Étape 1. Alignez les trous depuis la pale aux trous du moteur et sécurisez la pale en place avec des vis et des rondelles plates fournies. (Fig. 15)

Étape 2. Répétez ce processus pour fixer les deux autres pales.

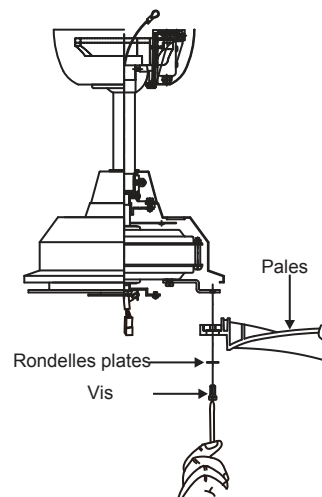


Fig. 15

INSTALLATION DE LA PLAQUE D'ÉCLAIRAGE

Étape 1. Desserrez deux vis sur l'anneau de montage fixé à l'axe du moteur et "retirez" et conservez la troisième vis. (Fig. 16)

Étape 2. Placez les fentes des trous en forme de serrure sur la plaque d'éclairage sur les deux vis desserrées précédemment sur l'anneau de montage.

Tournez la plaque d'éclairage jusqu'à ce qu'elle soit verrouillée en place à la section étroite des trous en forme de serrure.

Serrez les deux vis des trous en forme de serrure et remplacez la troisième vis retirée précédemment et serrez fermement.

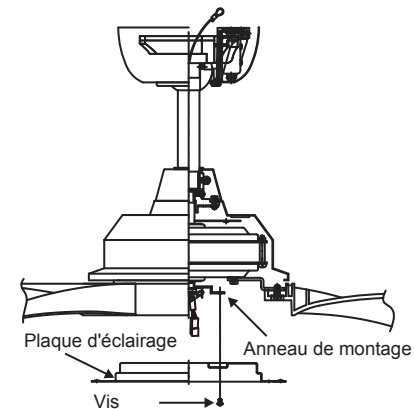


Fig. 16

INSTALLATION DU KIT D'ÉCLAIRAGE À LED ET DE L'ANNEAU DÉCORATIF

REMARQUE : Avant de procéder à l'installation, coupez l'alimentation en déclenchant le disjoncteur ou en enlevant le fusible de la boîte de circuit.

Étape 1. Desserrez les deux vis de montage à l'intérieur du kit d'éclairage à LED. (Fig.17)

Étape 2. Tout en retenant le kit d'éclairage à LED sous le moteur du ventilateur, effectuez les connexions. (Fig. 17)

-Blanc à Blanc

-Noir à Noir

Étape 3. Rentrez soigneusement les connexions dans la plaque lumineuse. Placez le kit d'éclairage à LED près de la plaque d'éclairage en le fixant à l'aide de deux vis (Fig.17).

Étape 4. Positionnez les crans dans l'anneau décoratif de sorte qu'ils correspondent aux languettes sur le kit d'éclairage à LED. Soulevez soigneusement l'anneau décoratif à l'intérieur du kit d'éclairage et sécurisez-le au ventilateur en tournant l'anneau décoratif dans le sens horaire jusqu'à ce qu'il soit bien serré. NE PAS SERRER AVEC EXCÈS. (Fig. 18)

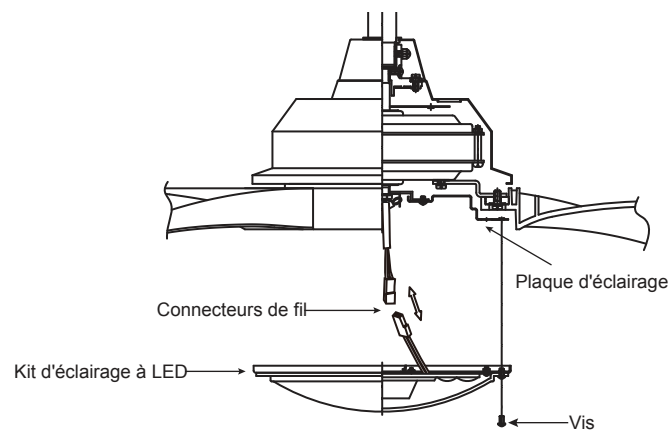


Fig. 17

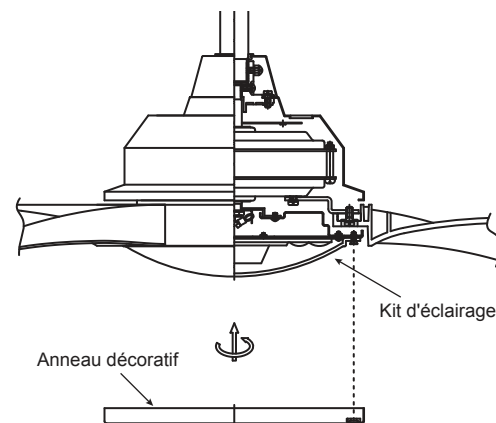


Fig. 18

RÉGLAGE DU SYSTÈME DE COMMANDE

IMPORTANT: Les pales du ventilateur au plafond DOIVENT être installées avant d'entamer la procédure de jumelage.

Programmez la commande murale et/ou la commande de l'unité portable séparément. Une fois que le jumelage suivant est effectué, la commande murale et la commande de l'unité portable peuvent être utilisées pour le ventilateur.

Appuyez sur le bouton de mise en marche pour ACTIVER la commande murale. Les lumières à LED sur la commande murale clignoteront pendant le processus d'activation pendant 3 secondes.

Appuyez sur le bouton "⏻" pour désactiver la commande murale (le bouton sera sur le haut). Restaurez l'électricité au circuit dérivation du ventilateur au plafond au niveau du disjoncteur ou de la boîte à fusibles. Dans les 60 secondes de la mise hors tension, appuyez sur le bouton de mise en marche/arrêt "⏻" pour activer la commande murale (le bouton sera vers le bas) et appuyez sur le bouton de marche arrière "↶" entre 3 et 5 secondes. La lumière va clignoter deux fois. La télécommande sera maintenant programmée à votre ventilateur et prête à être utilisée.

IMPORTANT: Ne pas interrompre le conditionnement jusqu'à ce que le ventilateur atteigne un arrêt complet dans les 5 minutes environ.

Toutes les fonctions de la commande seront neutralisées pendant le conditionnement.

Essayez divers réglages de vitesse sur la commande murale et la commande de l'unité portable pour garantir que le ventilateur soit totalement opérationnel.

Si la programmation échoue, réessayez le processus en recommençant l'étape 1.

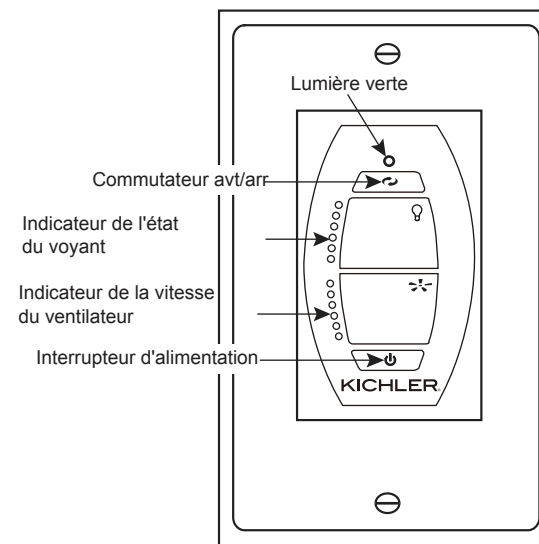


Fig. 19

INSTRUCTION SUR LES BOUTONS

Indicateur à LED rouge : Indicateur du signal de l'émetteur. Lorsque le signal RF est envoyé, le voyant rouge s'allume.

LED verte : Pour montrer l'indicateur de marche Avant et Arrière.

Bouton Marche/Arrêt "  "

Marche: Mettez sous tension.


ARRÊT : Mettre hors tension.

Bouton de marche arrière "  "

Avec le ventilateur en marche, appuyez une fois sur le bouton de marche Arrière que vous relâchez, le ventilateur change de direction.

Descendante : LED de l'indicateur en vert s'éteint.

Marche arrière : LED de l'indicateur en vert s'allume.

Bouton de la lumière "  "

Appuyez sur le bouton de la lumière et relâchez pour la commande Marche/Arrêt de la lumière. Les LED de l'indicateur de la lumière montrent l'état actuel de la lumière. Si le kit d'éclairage est à l'Arrêt, les LED de l'indicateur de la lumière seront également éteintes. Appuyez sur le bouton de la lumière que vous MAINTENEZ ENFONCÉ pendant 1 secondes et le kit d'éclairage s'assombrit. La LED de l'indicateur de lumière montrera le changement au niveau de l'état du niveau de la lumière. Le niveau de la lumière passe de clair à foncé et de foncé à clair lorsque vous maintenez le bouton de la lumière enfoncé.

Commande du ventilateur "  "

Appuyez sur le bouton de vitesse du ventilateur pour la commande Marche/Arrêt du ventilateur. La LED de l'indicateur du ventilateur illustre la vitesse actuelle du ventilateur. Si le ventilateur est à l'Arrêt, les LED de l'indicateur de vitesse du ventilateur sera à l'Arrêt. Appuyez sur le bouton de vitesse des ventilateurs et maintenez-le enfoncé pendant 1 seconde pour procéder au réglage des vitesses du ventilateur. Les LED de l'indicateur indiquent la vitesse actuelle. Les réglages de la vitesse du ventilateur sont effectués par cycle lorsque vous appuyez sur le bouton de vitesse. Les vitesses vont des niveaux Élevés à Faibles, puis de Faible à Élevé.

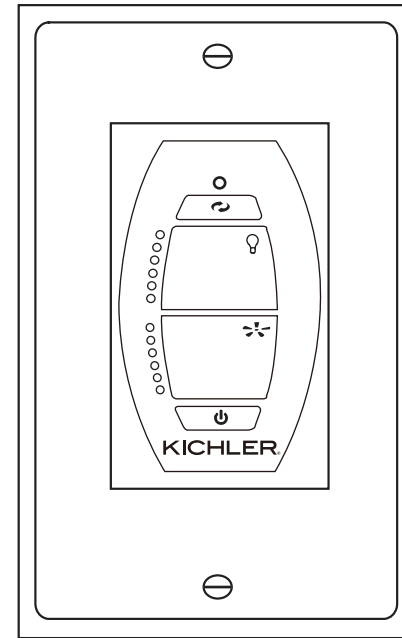





Fig. 20

PROCÉDURES DE JUMELAGE CC SANS CAPTEUR

IMPORTANT: Les pales du ventilateur au plafond **DOIVENT** être installées avant d'entamer la procédure de jumelage.

Étape 1. Programmez la commande murale et/ou la commande de l'unité portative séparément. Une fois que le jumelage suivant est effectué, la commande murale et la commande de l'unité portative peuvent être utilisées pour le ventilateur.

Pour la commande murale, restaurez l'électricité au circuit dérivation au niveau du disjoncteur ou de la boîte à fusibles. Dans les 60 secondes de la mise hors tension, appuyez sur le bouton de mise en marche/arrêt "  " pour activer la commande murale (le bouton sera vers le bas) et appuyez sur le bouton de marche arrière "  " pendant 3 à 5 secondes. La lumière va clignoter deux fois. La télécommande sera maintenant programmée à votre ventilateur et prête à être utilisée.

Pour l'unité portative, Pour l'unité portative, restaurez l'électricité au circuit dérivation du ventilateur au plafond au niveau du disjoncteur ou de la boîte à fusibles. Dans les 60 secondes de la mise hors tension, appuyez sur le bouton de mise en marche/arrêt "  " pendant 3 à 5 secondes. La lumière va clignoter deux fois. La télécommande sera maintenant programmée à votre ventilateur et prête à être utilisée.

IMPORTANT: Ne pas interrompre le conditionnement jusqu'à ce que le ventilateur atteigne un arrêt complet dans les 5 minutes environ. Toutes les fonctions de la commande seront neutralisées pendant le conditionnement.

Étape 2. Essayez un réglage de vitesse différent sur la commande murale et sur le contrôle du combiné pour vous assurer que le ventilateur est maintenant entièrement fonctionnel. Si la programmation échoue, réessayez le processus en recommençant l'étape 1.

INSTALLATION DE LA PLAQUE MURALE DU SYSTÈME DE COMMANDE MURALE

Sélectionnez un emplacement pour installer l'émetteur du système de contrôle murale et la plaque murale.

RAPPEL la commande ne doit pas être installée à l'extérieur. Vous pouvez utiliser en toute sécurité l'émetteur à l'extérieur mais il doit être installé à l'intérieur et à l'écart de toute chaleur excessive et de tout contact avec l'eau ou l'humidité.

Installez la plaque murale en utilisant une boîte à prises murale présente. Assurez-vous que l'alimentation électrique est COUPÉE au panneau principal avant de continuer.

Si votre boîte à prises du plafond dispose d'un fil de terre (vert ou cuivre nu), connecte-le au fil de terre du commutateur mural et/ou du support de montage du plafond et repoussez-la à l'intérieur de la boîte à prises.

Installez la plaque murale sur la boîte à prises murale présente avec les vis (fournies). (Fig. 21)

Après avoir installé les ancrages du mur, fixez la plaque murale avec les vis de montage pour terminer l'installation.

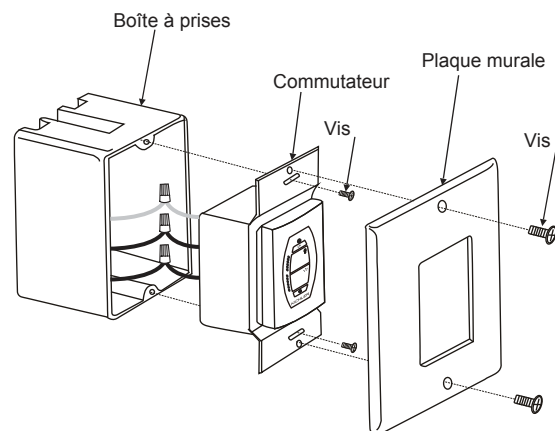


Fig. 21

CONSIGNES D'UTILISATION

Temps chaud - Avant (sens antihoraire) Un flux d'air vers le bas crée un effet de refroidissement (voir la Figure 22). Cela vous permet de régler votre climatiseur sur un réglage plus chaud sans affecter votre confort général.

Temps froid - Arrière (sens horaire) Un flux d'air vers le haut déplace l'air chaud hors des zones de plafond (voir Fig. 23). Cela vous permet de régler votre unité de chauffage sur un réglage plus froid sans affecter votre confort général.

REMARQUE : Pour changer le sens du flux d'air de votre ventilateur au plafond, utilisez le bouton FOR/REV (Avant/arrière) sur l'émetteur de la commande murale.

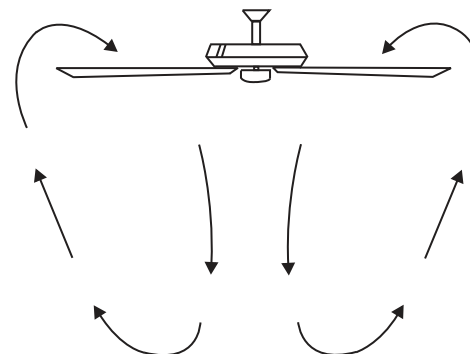


Fig. 22

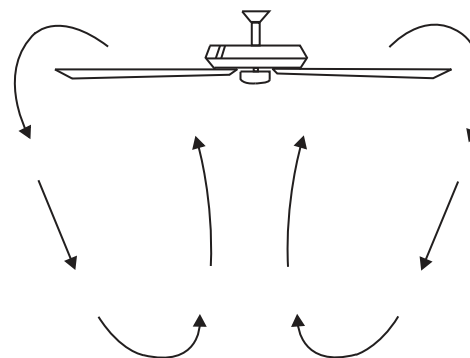


Fig. 23

DÉPANNAGE

Problème

Solution

Impossible de mettre le ventilateur en marche.

1. Vérifiez les fusibles ou disjoncteurs de circuit.
2. Vérifiez tous les raccordements électriques pour garantir un bon contact.
ATTENTION : Assurez-vous que l'alimentation principale est COUPÉE lors de la vérification des raccordements électriques.

Le ventilateur est bruyant.

1. Assurez-vous que toutes les vis du boîtier du moteur sont bien ajustées.
2. Assurez-vous que les vis qui fixent les supports des pales du ventilateur au moteur sont serrées.
3. Assurez-vous que les connexions des raccords filaires ne frottent pas les uns contre les autres ou contre la paroi intérieure du boîtier du commutateur. **ATTENTION :** Assurez-vous que l'alimentation est coupée.
4. Le rodage prend 24 heures. La majorité des bruits associés à un nouveau ventilateur disparaissent pendant la période de rodage.
5. Si vous utilisez un kit d'éclairage en option, assurez-vous que les vis de fixation de la verrerie sont serrées. Assurez-vous que les ampoules ne sont pas en contact avec aucun autre composant.
6. Ne pas connecter ce ventilateur aux commandes murales aux vitesses variables. Elles ne sont pas compatibles avec les moteurs du ventilateur ni les télécommandes.
7. Assurez-vous que le cache supérieur est à une courte distance du plafond. Il ne doit pas toucher le plafond.

Le ventilateur vacille.

1. Vérifiez que toutes les vis des pales et des bras de pales sont sécurisées.
2. La plupart des problèmes de vacillement des ventilateurs provient des niveaux inégaux des pales. Vérifiez ce niveau en sélectionnant un point sur le plafond au-dessus de l'embout de l'une des pales. Mesurez cette distance. Faites tourner le ventilateur jusqu'à ce que la prochaine pale soit positionnée pour la mesure. Répétez pour chaque pale. L'intervalle doit être de 3 mm.
3. Si le vacillement des pales est toujours perceptible, échangez deux pales adjacentes (côte à côte) pour redistribuer le poids et éventuellement permettre un fonctionnement plus équilibré.

La télécommande ne fonctionne pas correctement.

1. Les ventilateurs de plafond avec des systèmes de contrôle à distance **NE PEUVENT PAS** fonctionner conjointement avec tout autre système de contrôle, SAUF un interrupteur mural de marche/arrêt, le cas échéant.

KICHLER®

www.kichler.com

ÉCLAIRAGE KICHLER®

7711 EAST PLEASANT VALLEY ROAD P.O. BOX 318010

CLEVELAND, OHIO 44131-8010

SERVICE CLIENTÈLE 866.558.5706

DE 08:30 à 17:00 HEURE DE L'EST, DU LUNDI AU VENDREDI