

Alva

lampshade | user guide



UIMAGE

WITH LOVE FROM COPENHAGEN

At UIMAGE, our designers take inspiration from the distinct nature of the Nordic landscape to create unique designs related to the way we live in an urban setting. Influenced by the design language, colours and materials found around us in Scandinavia, we create a collection that is rooted in our home but designed for everyone.



ENGLISH

Wash with soap before use to avoid attraction of dust.

DEUTSCH

Waschen Sie die Lampe vor Gebrauch mit Seife ab um Staubanziehung zu vermeiden.

FRANÇAIS

Laver au savon avant employ pour éviter que la poussière ne se dépose.

NEDERLANDS

Voor gebruik met zeep wassen om het aantrekken van stof te voorkomen.

DANSK

Vask med sæbe før brug for at undgå støvtiltrækning.

NORSK

Vask med såpe før bruk for a hindre tiltrekning av støv.

SUOMI

Pese saippualla ennen käyttöä vähentääksesi pölyn kerääntymistä.

SVENSKA

Tvätta med såpa före användning för att undvika att den drar till sig damm.

ESPAÑOL

Lavar con jabón antes de utilizar para que no atrape polvo.

ITALIANO

Onde evitare il deposito di polvere, lavare con acqua e sapone.

POLSKI

Przed użyciem umyć mydłem, aby uniknąć przyciągania kurzu.

PORTUGUÊS

Lavar com sabão antes de utilizar para evitar a atracção de pó.

РУССКИЙ

Для предотвращения попадания пыли перед использованием вымыть с мылом.

中文

为避免吸尘,使用前请在肥皂水里 浸泡清洗。

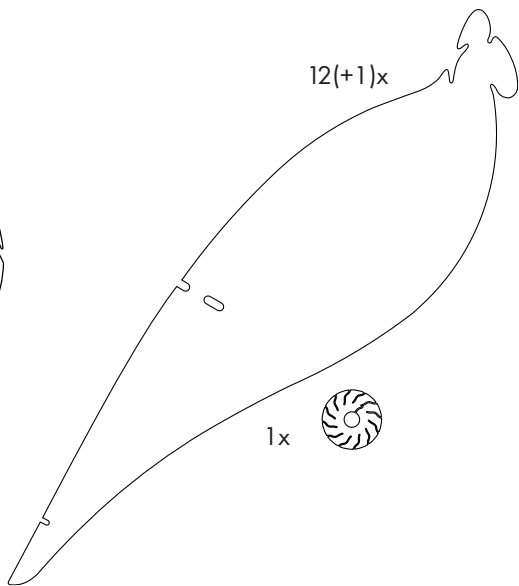
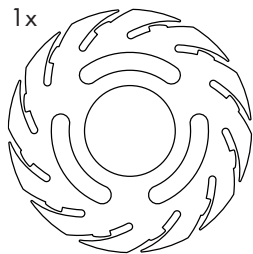
한국어

먼지가 묻지 않도록 사용 전에 비누로 닦아 주십시오

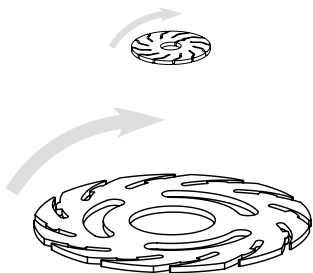
日本語

埃を吸引することを避けるため、使用開始前に石鹸で洗ってください

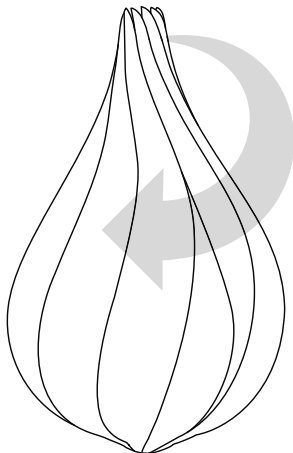
ASSEMBLY GUIDE



Find assembly videos by using the QR code
or by going online at our website umage.com/instructions



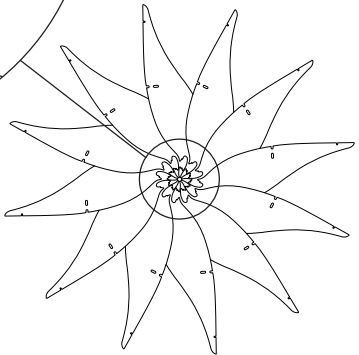
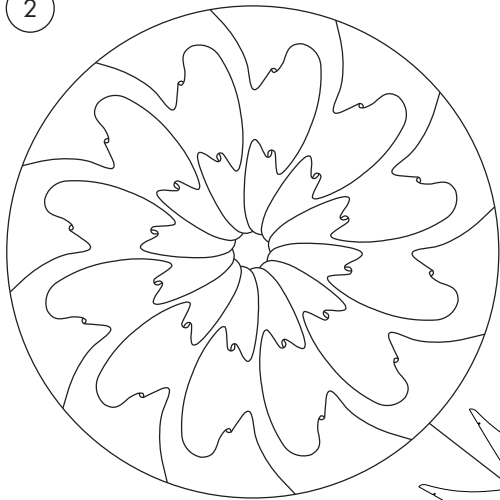
=



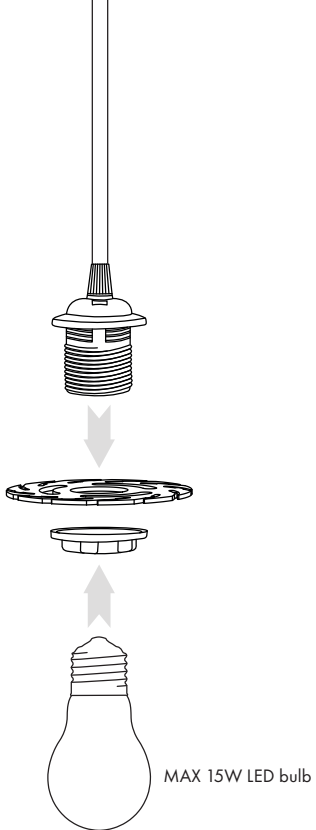
1



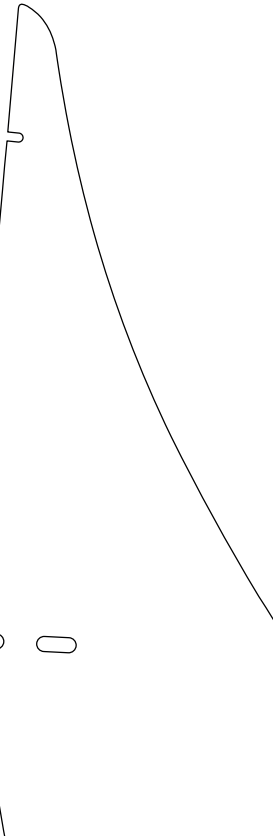
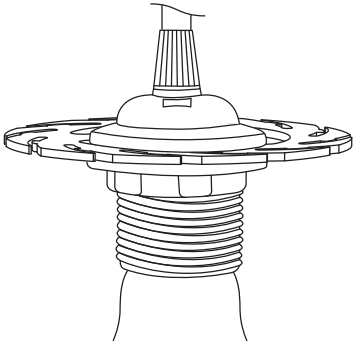
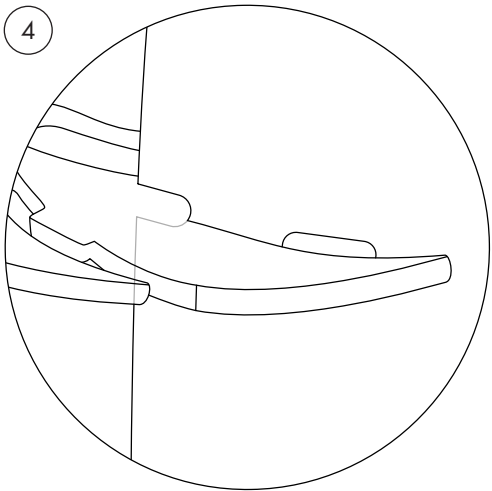
2



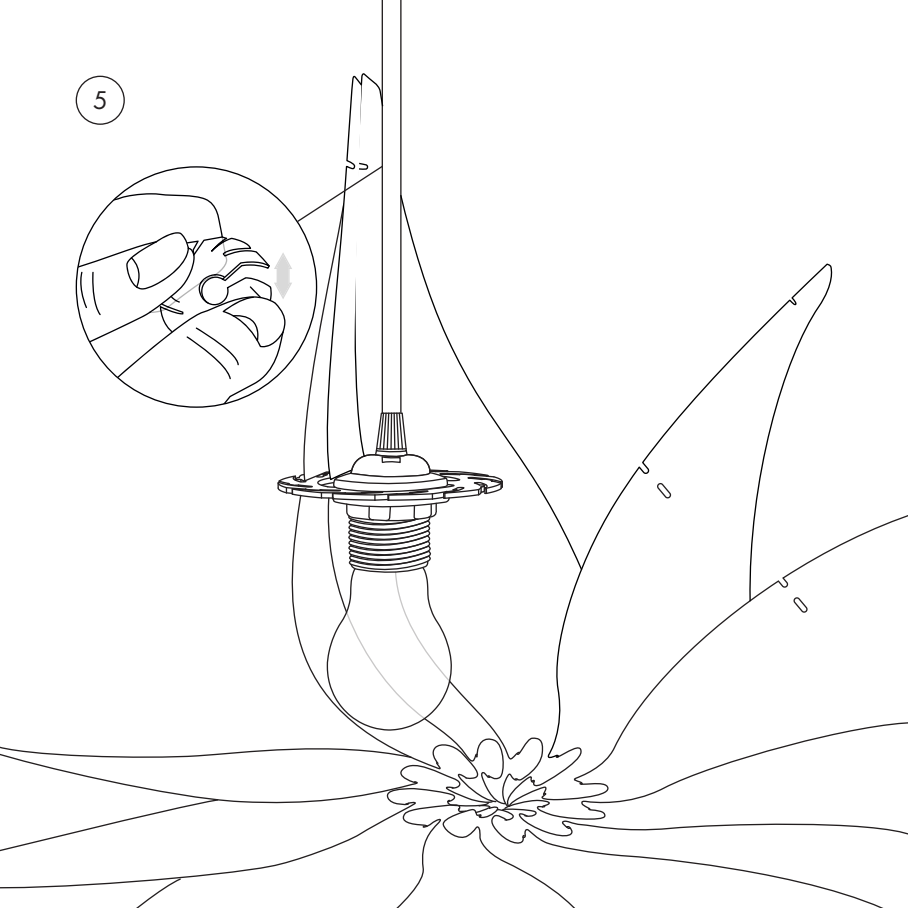
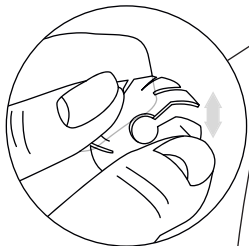
3



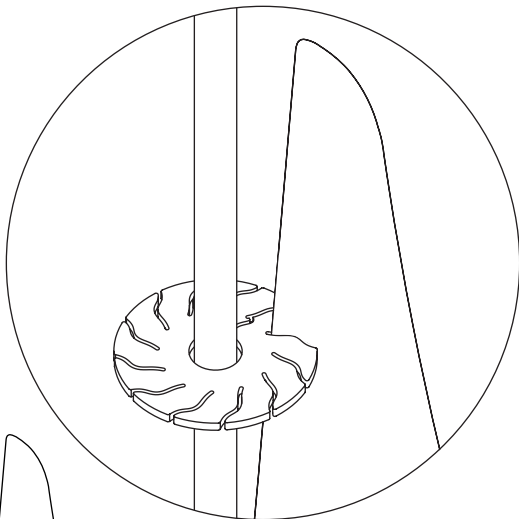
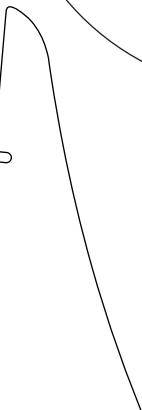
4

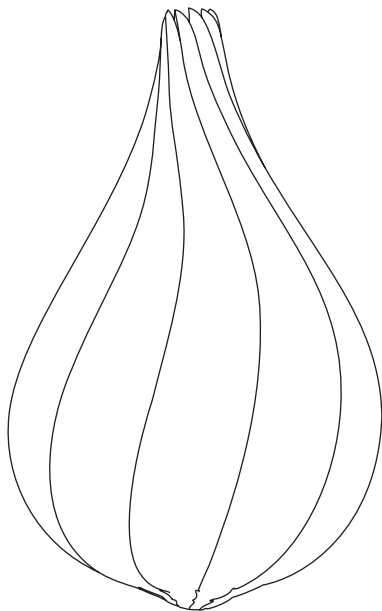


5



6





CARE AND MAINTENANCE

Please follow the below care and safety instructions to ensure many years of enjoyment with your new design item from UIMAGE. Keep these instructions at hand for future reference.

Clean the surface by wiping it with a dry cloth. Dirt can be removed with a damp cloth.



Ribbon | lampshade



Asteria | lampshade





**DESIGNED BY
LORENZO RADAELLI**

“Delicate drops to brighten up
your everyday life. Let Alva’s
curvy lines of light seduce you.”

UMAGE
UNFOLD
AT HOME

GET THE **FREE UIMAGE APP**
Preview our entire collection in
your own home – *before you buy*

Imagine a UIMAGE lamp or furniture piece in your home. Is it the right design, size and colour? We made it easier for you to find the perfect UIMAGE design. Just download our free **UMAGE Unfold at Home** app from the App Store or Play Store, and see how our designs will look in your home!




UMAGE

Follow us on social media



@umagedesign



UIMAGE

umage.com