

# ASTERIA

medium | user guide



  
UMAGE



## WITH LOVE FROM COPENHAGEN

At UIMAGE, our designers take inspiration from the distinct nature of the Nordic landscape to create unique designs related to the way we live in an urban setting. Influenced by the design language, colours and materials found around us in Scandinavia, we create a collection that is rooted in our home but designed for everyone.

Versatile, flexible and multifunctional, our designs are created to enhance an urban lifestyle in smaller spaces!

## **ENGLISH**

**IMPORTANT!** Always shut off the power to the circuit before starting installation work. In some countries, electrical installation work may only be carried out by an authorised electrical contractor. Contact your local electricity authority for advice.

Different wall materials require different types of screws. Always choose screws that are specially suited to the materials of your walls.

The light source of this luminaire is not replaceable; when the light source reaches its end of life the whole luminaire shall be replaced.

## **FRANÇAIS**

**ATTENTION!** Toujours couper l'alimentation au panneau principal avant de procéder à l'installation. Dans certains pays, l'installation doit être effectuée par un électricien qua-

lifié. Pour en savoir plus, contacter les autorités locales compétentes en la matière.

Le choix des vis dépend du matériau dans lequel elles doivent être fixées. Utiliser des vis adaptées au matériau de votre mur.

La source lumineuse de ce luminaire n'est pas remplaçable ; quand la source lumineuse a atteint la fin de sa durée de vie, le luminaire entier doit être remplacé.

## **ESPAÑOL**

**IMPORTANTE!** Desconecta siempre el interruptor general de la electricidad antes de iniciar cualquier trabajo de instalación. En algunos países, la instalación eléctrica sólo puede realizarla un electricista profesional. Ponte en contacto con las autoridades locales para saber cuál es tu caso.

Diferentes materiales de pared requieren diferentes tornillos. Completa con aquellos que mejor se adapten a tu tipo de pared.

La fuente de luz de esta luminaria no es reemplazable. Cuando finalice la vida útil de la fuente de luz, se deberá reemplazar la luminaria por completo.



For recommended  
external dimmers,  
go to **umagepress.com**

## **SAFETY PROCEDURES**

**Read and keep these instructions for future reference**

- **This product is NOT a children's toy and should NOT be used in any other manner than described throughout this user guide.**
- **Always turn electrical power off at the electrical service panel of the household before handling electrical wires. Keep electrical power turned off throughout the entire installation procedure.**
- **This product is for indoor use ONLY**
- **Do NOT try to repair the product if any of the electrical or mechanical components are in any way broken, not as expected, or malfunctioning. Please contact a qualified electrician.**

## **WARNING**

**Ignoring any of the Safety Instructions, or deviating from any of the steps in either the Installation-, the Maintenance- may result in a risk of fire or electric shock. You are advised to contact a qualified electrician for these procedures.**

## **NOTICE**

**This product must be installed in accordance with the applicable installation code by a person familiar with the construction and operation of the product and the hazards involved.**

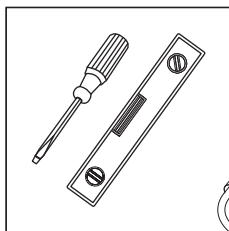


DESIGNED BY  
SØREN RAVN CHRISTENSEN

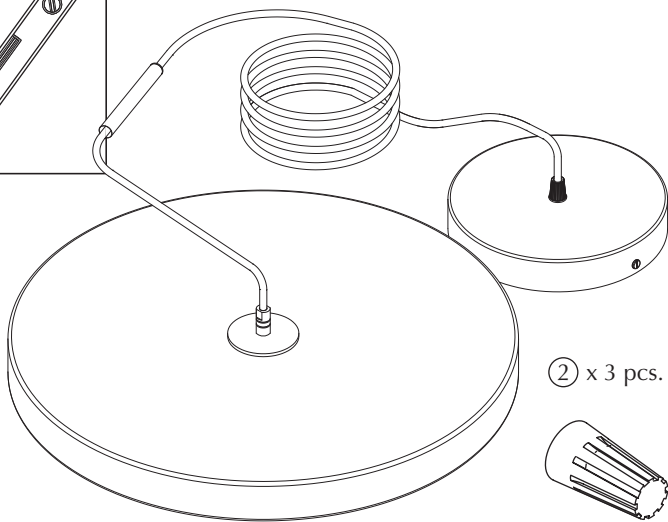
“ The illusion of earthly weightlessness had to be challenged by a light design that defies gravity. ”



## ASSEMBLY GUIDE



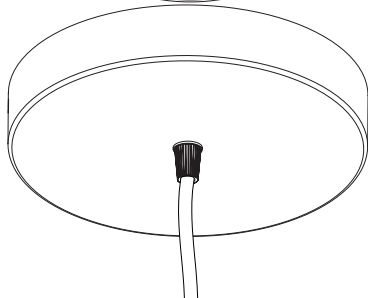
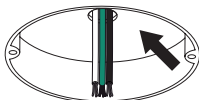
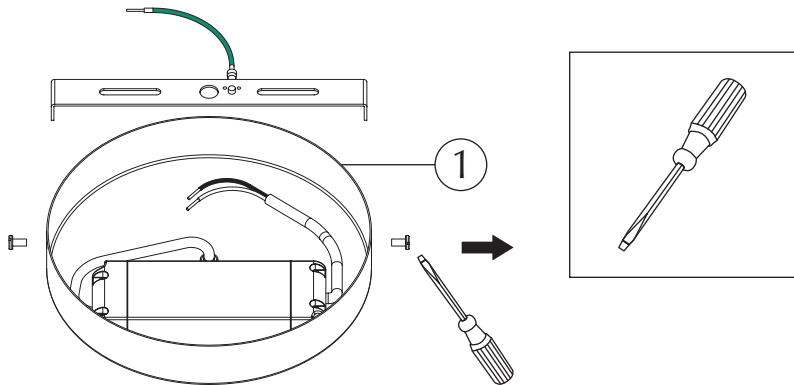
① x 1 pc.

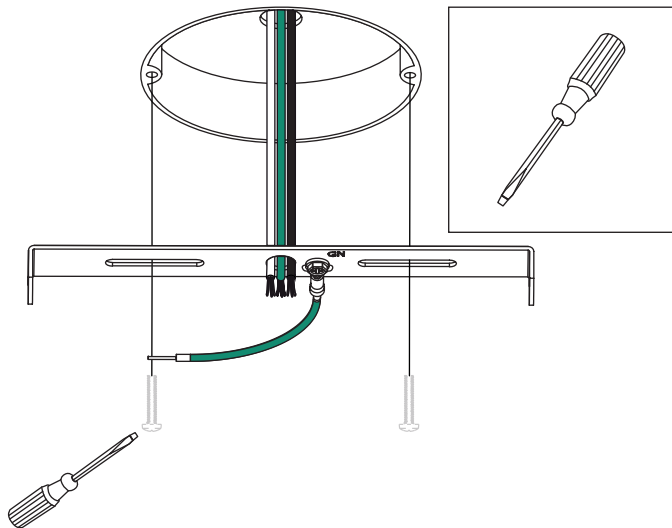



② x 3 pcs.

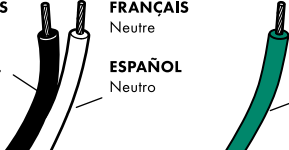


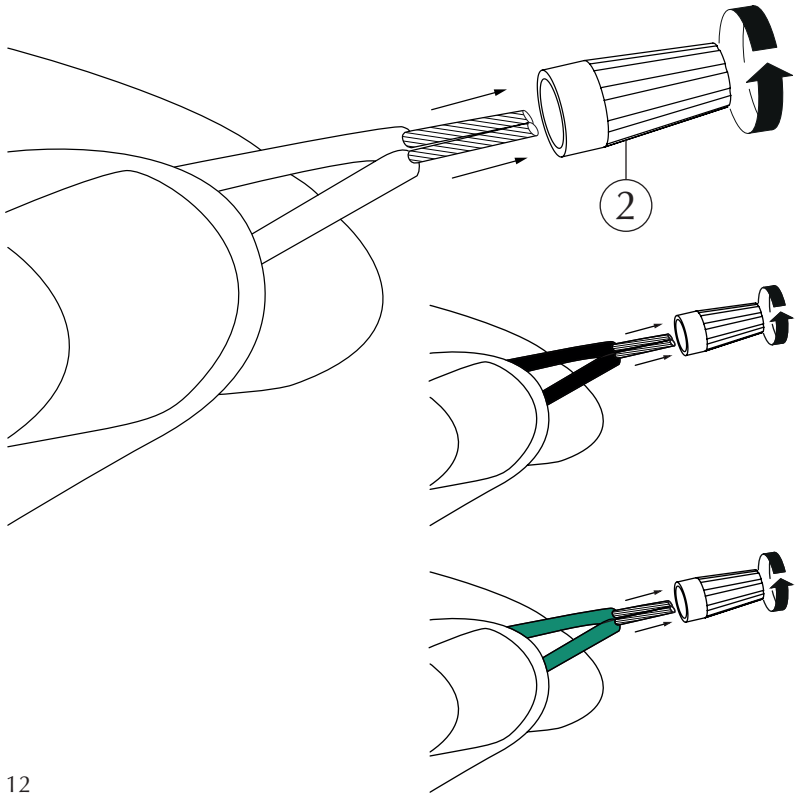
Find assembly videos by using the QR code or by going online at our website  
[umage.com/instructions](http://umage.com/instructions)

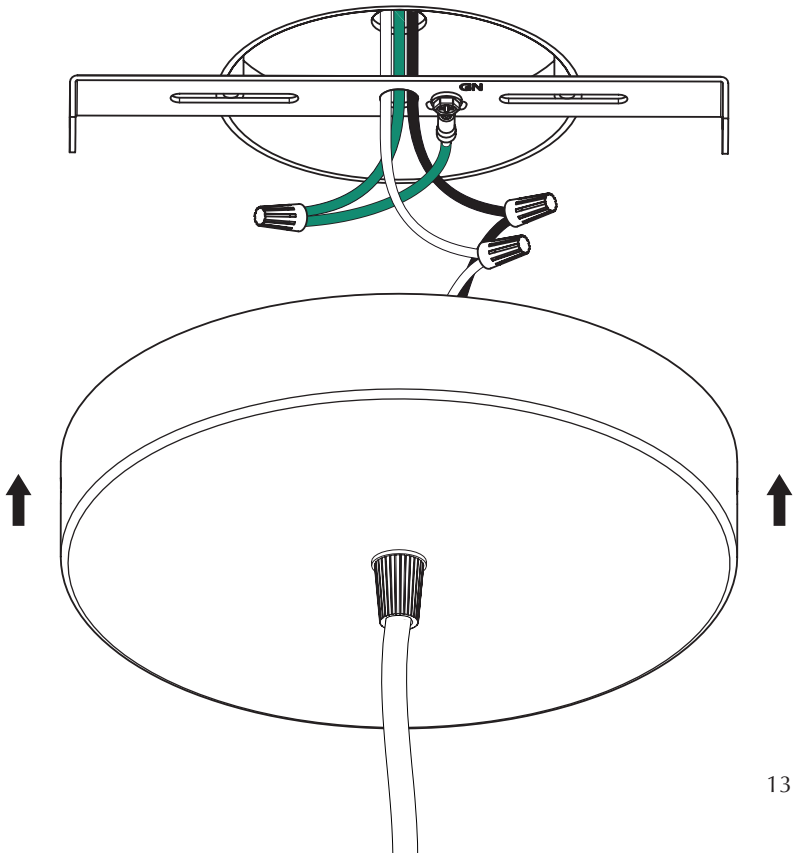


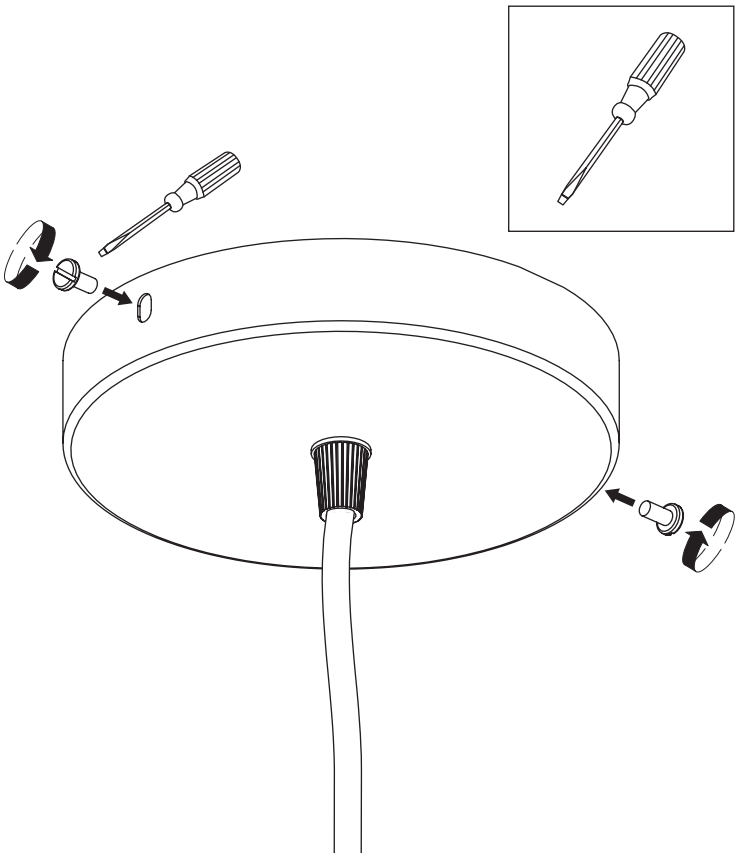


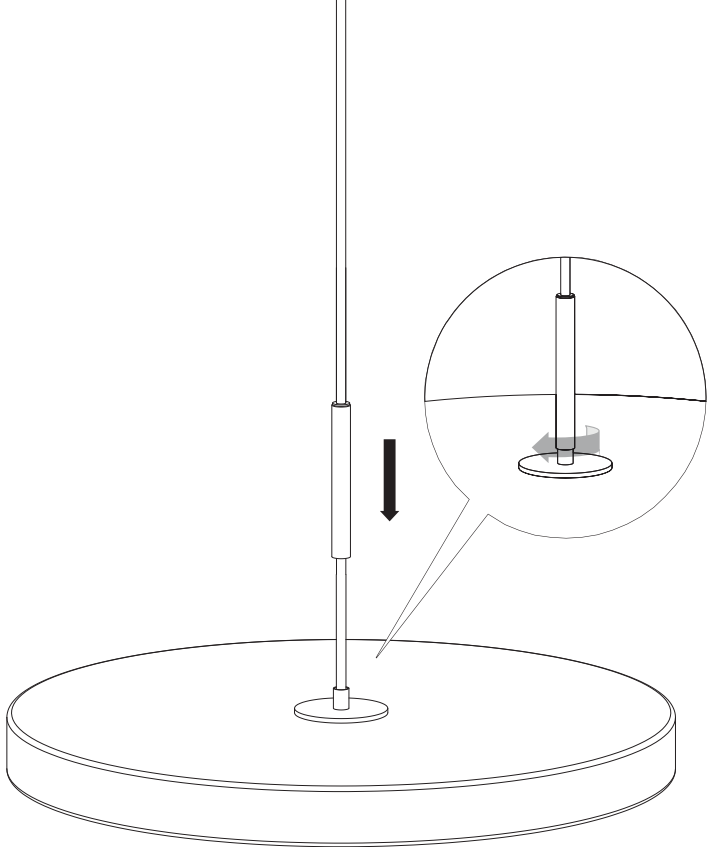
	<b>ENGLISH</b> Live	<b>ENGLISH</b> Neutral	<b>ENGLISH</b> Earth/ Ground
	<b>FRANÇAIS</b> Phase	<b>FRANÇAIS</b> Neutre	<b>FRANÇAIS</b> Terre
	<b>ESPAÑOL</b> Con corriente.	<b>ESPAÑOL</b> Neutro	<b>ESPAÑOL</b> Tierra

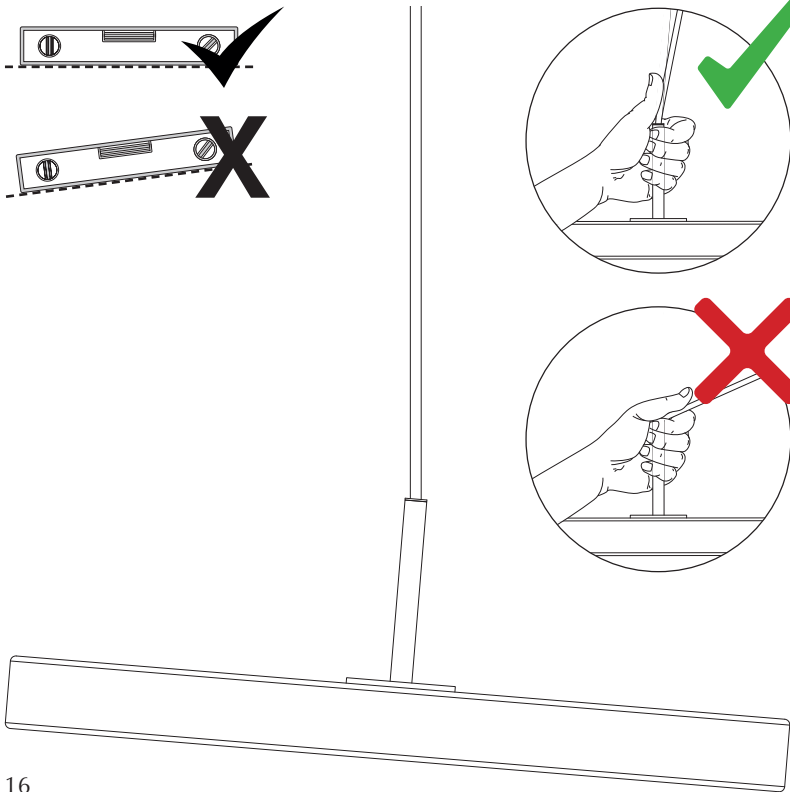
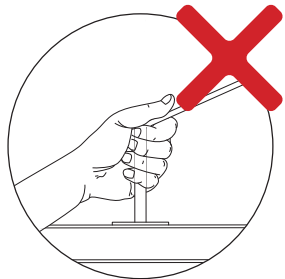
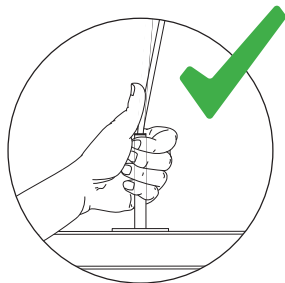
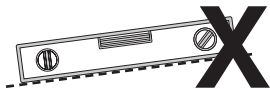
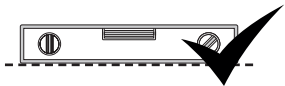




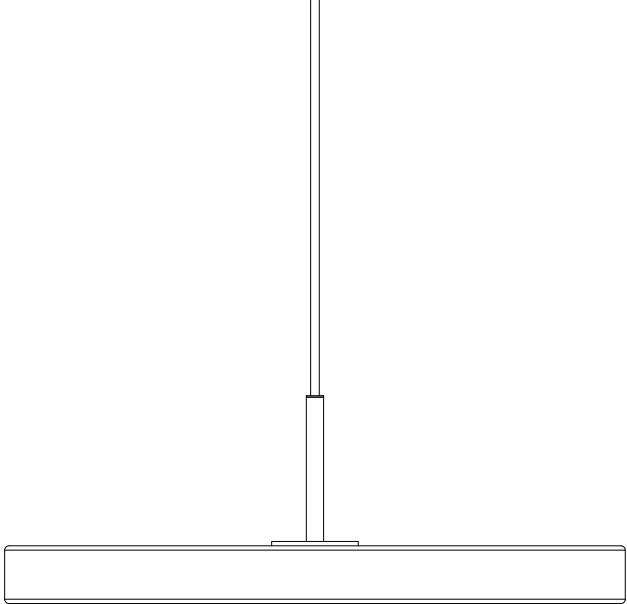














*“SAVING THE SCENT OF  
THE FOREST AFTER AN  
EARLY MORNING RAIN”*

# SUSTAINABLE SUSTAINABILITY EFFORTS

We are dedicated being sensible frontrunners on the environmental responsibility. If we provide timeless and functional quality designs that last, we know nature will prevail, as will UIMAGE.

## PLANTING A TREE

We have entered a collaboration with the NGO One Tree Planted, so every time we are selling one of our wooden lamps or furniture pieces we are planting a tree.

## REUSABLE PACKAGING

To minimize packaging waste, most of the packaging from our lighting collection is repurposed to be used as beautiful storage boxes afterwards.

## INTERCHANGEABLE

Save the world resources by interchanging elements or fabrics from the UIMAGE collection to add new life to the design and your interior without buying new products.

Read more about our many sustainability efforts: [umage.com/sustainability](https://umage.com/sustainability)

FOLLOW US ON SOCIAL MEDIA



@umagedesign | #umagedesign | umage.com



UIMAGE