

BAG

SE154 AB INT (a)

SE154 AR INT (a)

SE154 BB INT (a)

SE154 BR INT (a)

SE154 CB INT (b)

SE154 CR INT (b)

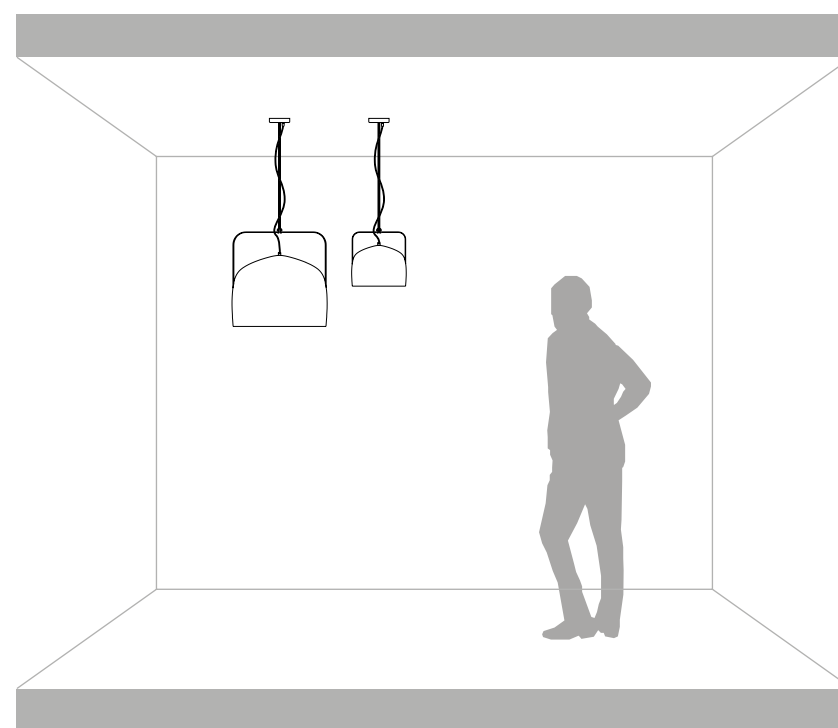
SE154 DB INT (b)

SE154 DR INT (b)

220-240V

1 x max 77W - E27 (a)

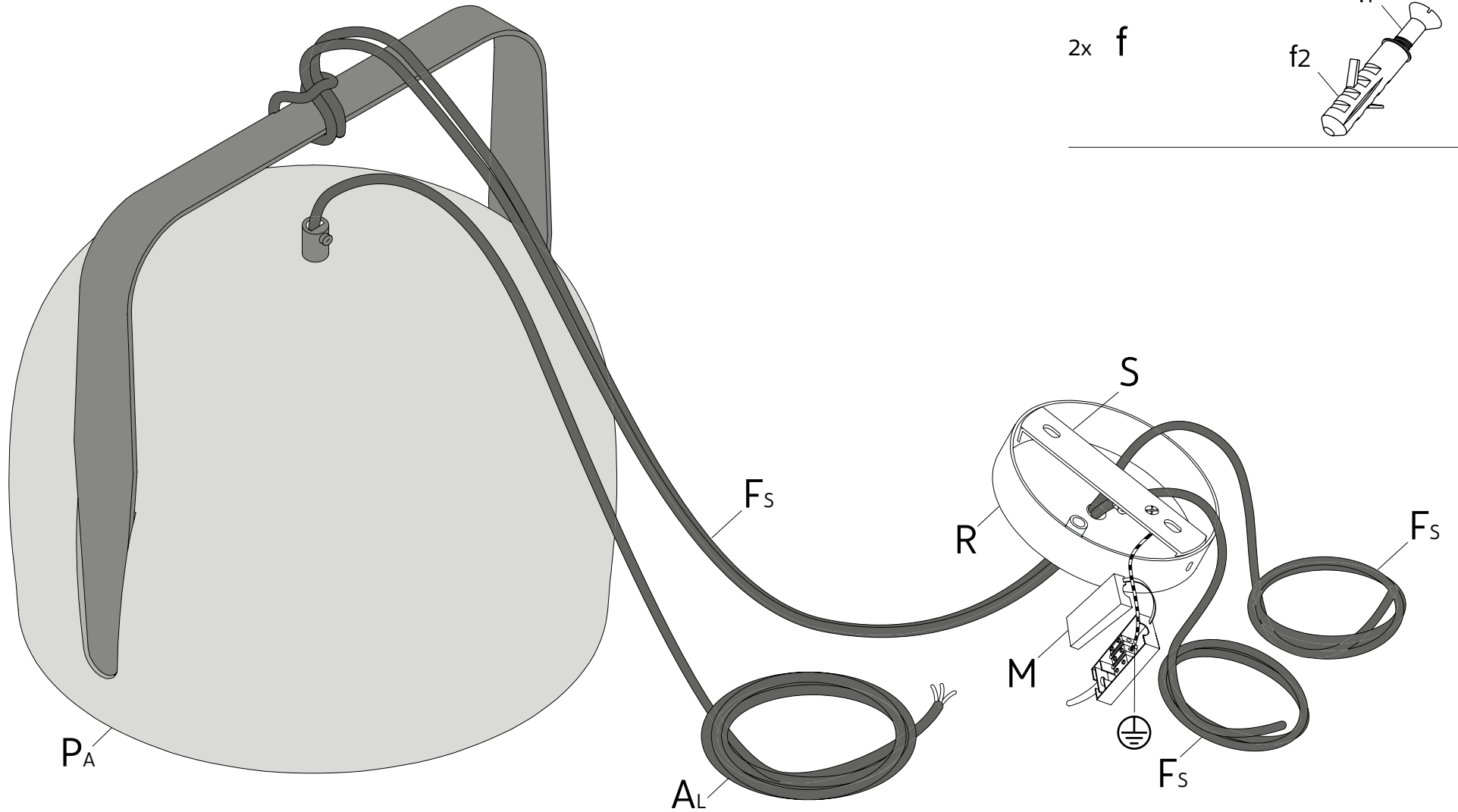
1 x max 53W - E27 (b)

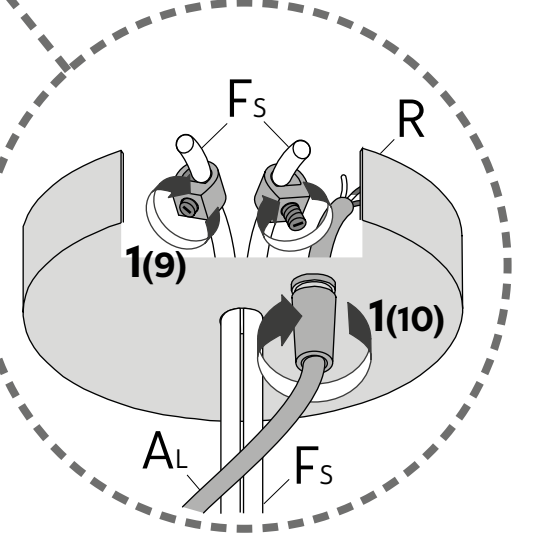
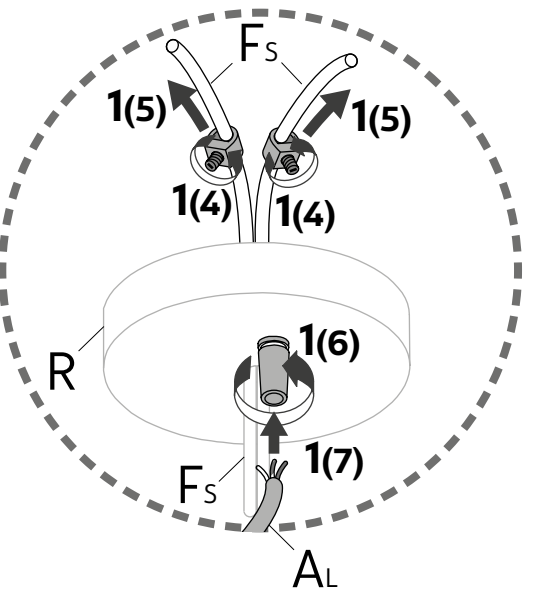
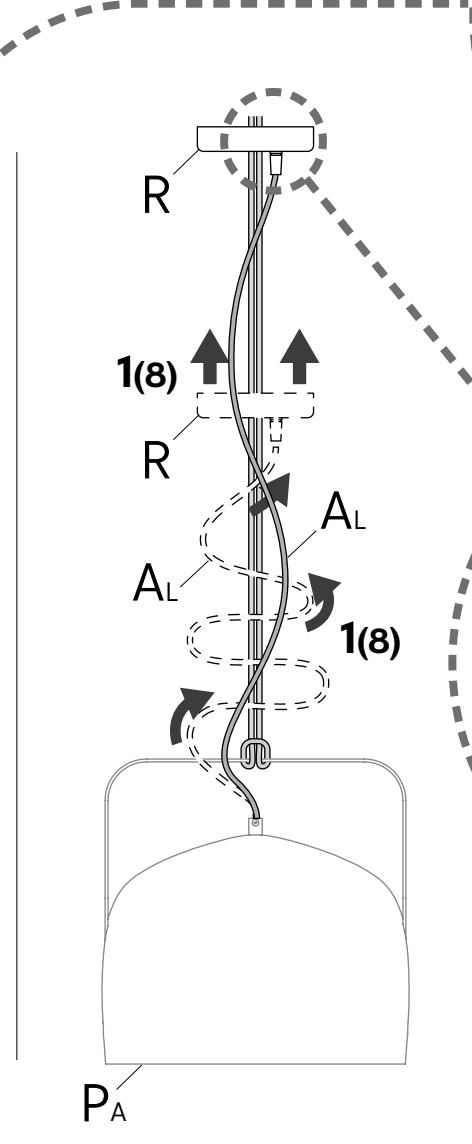
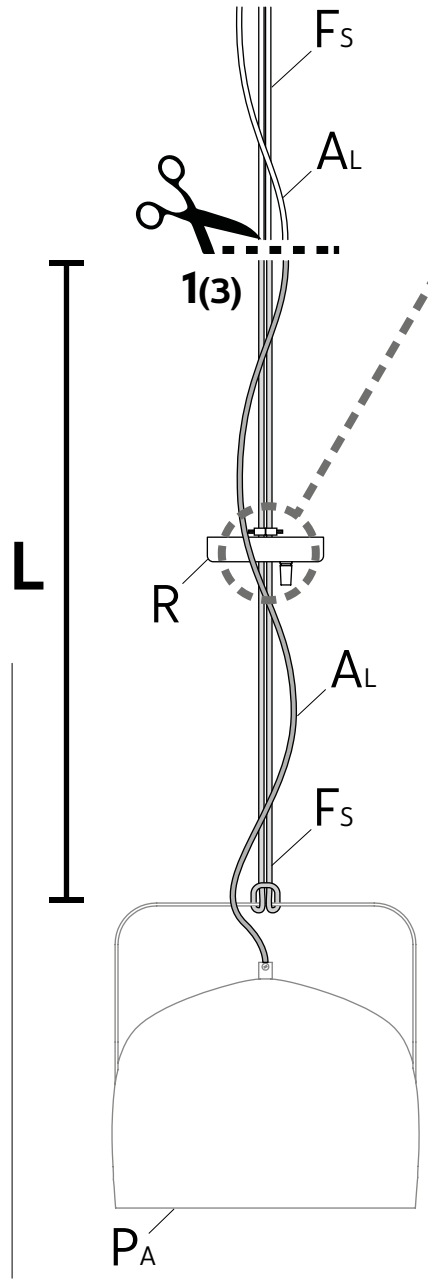
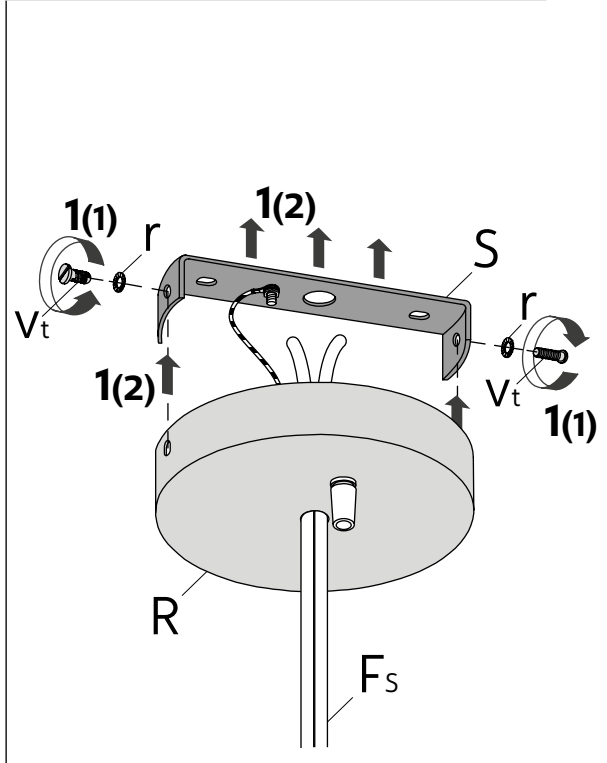
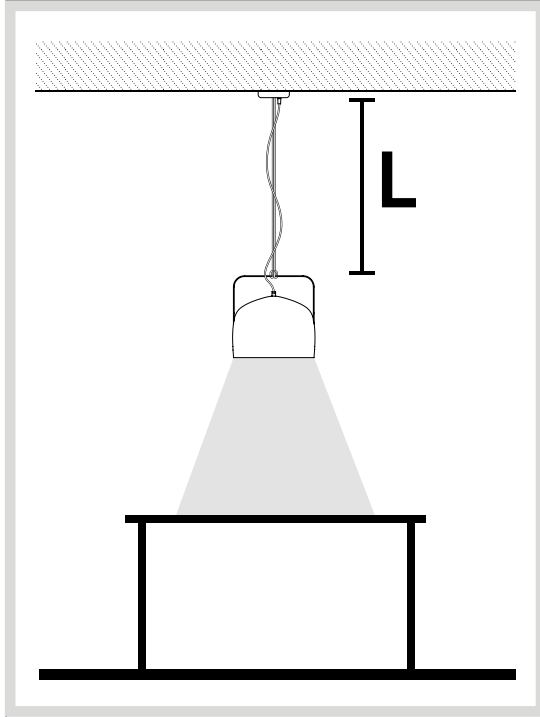


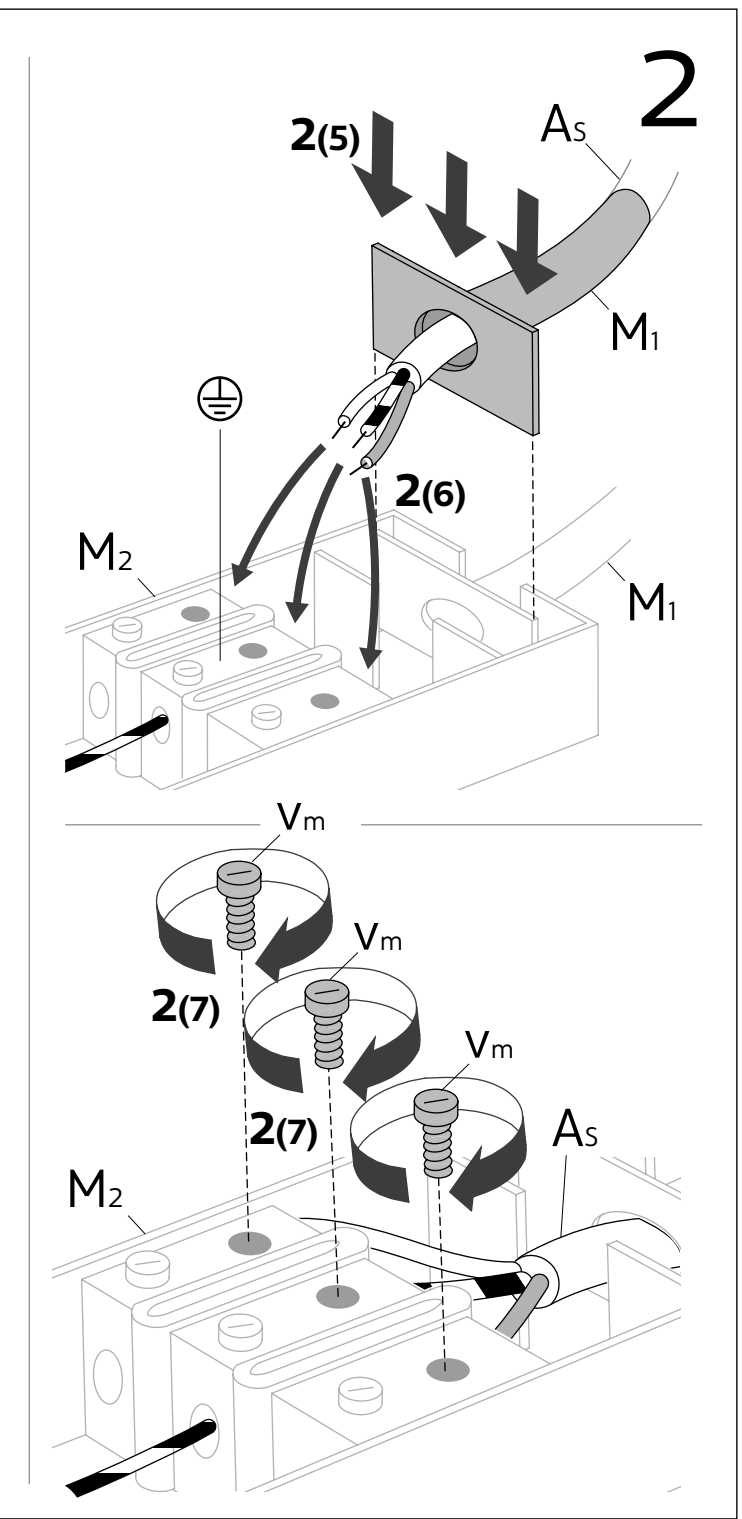
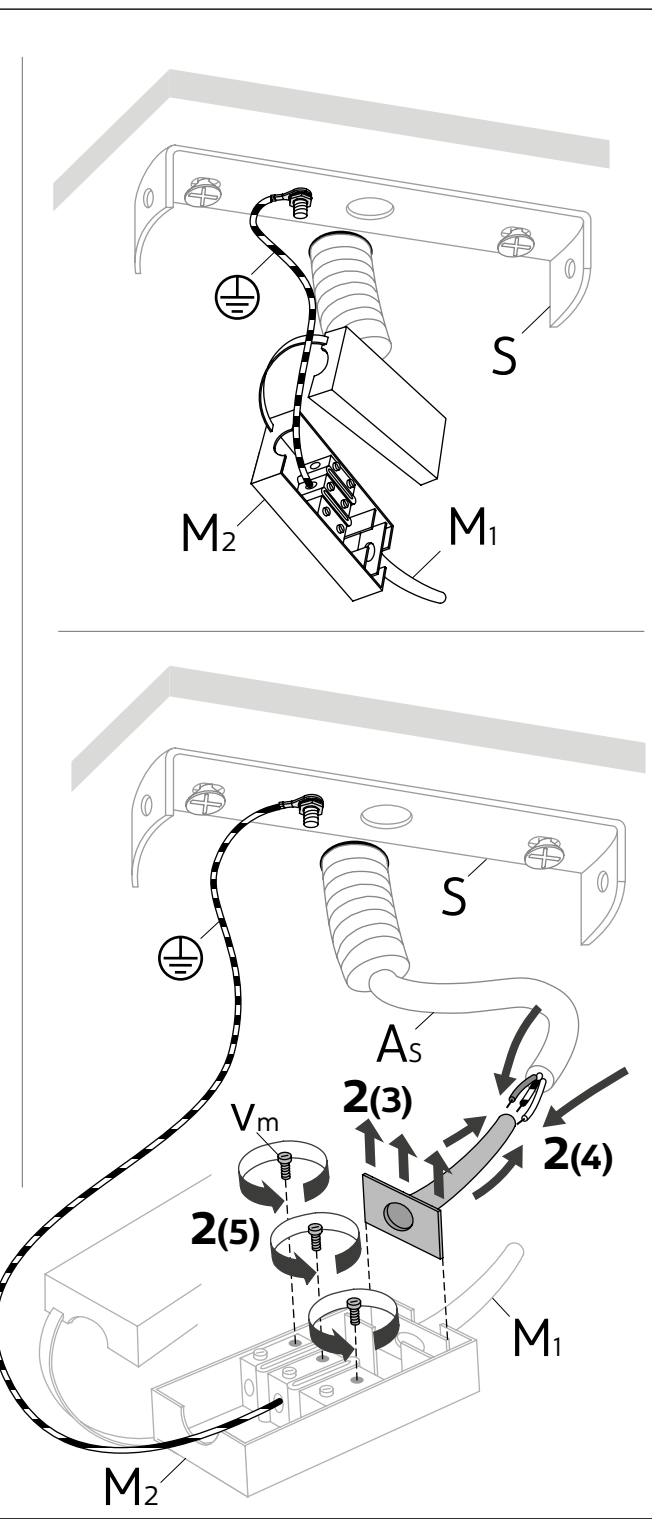
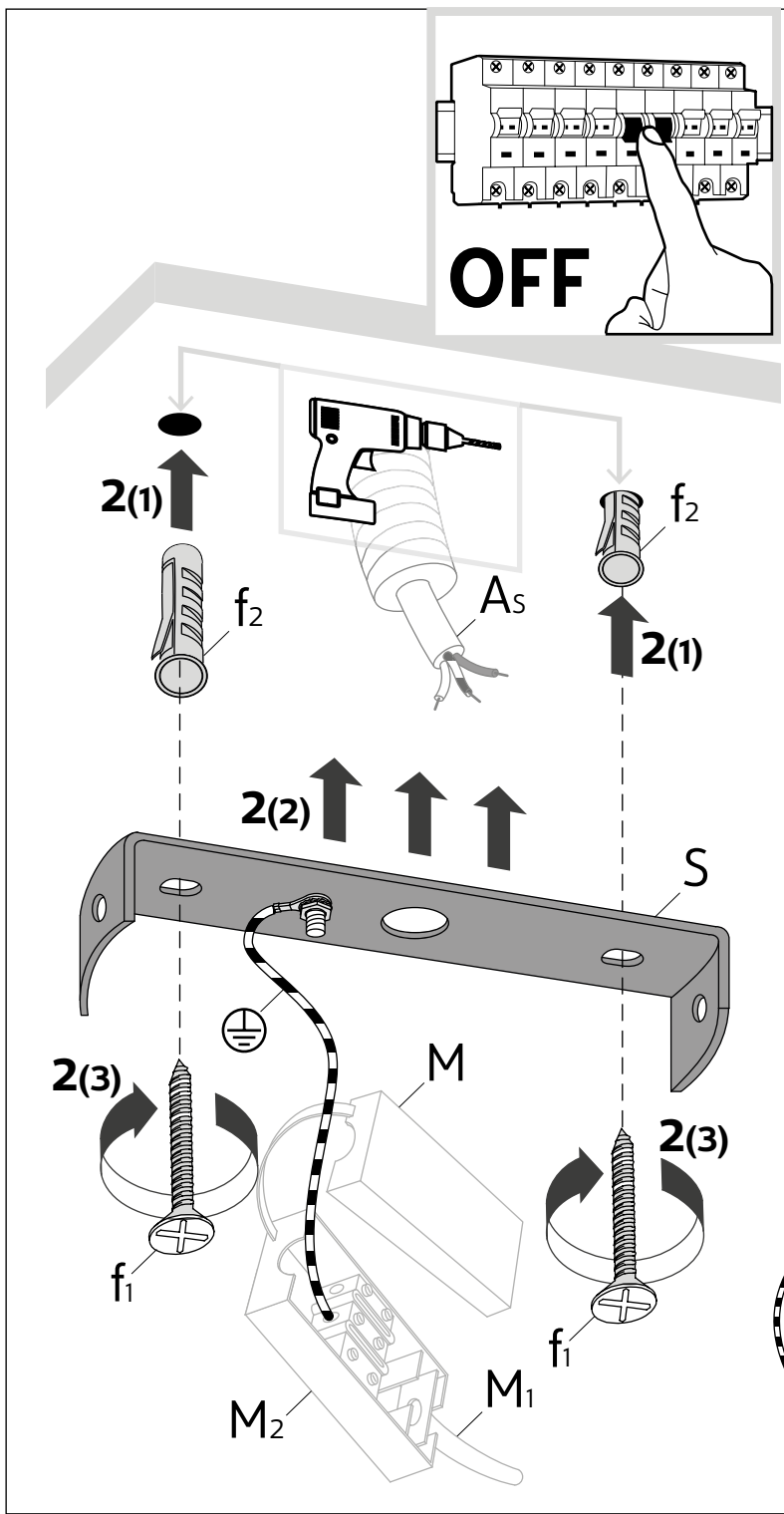
Karman srl

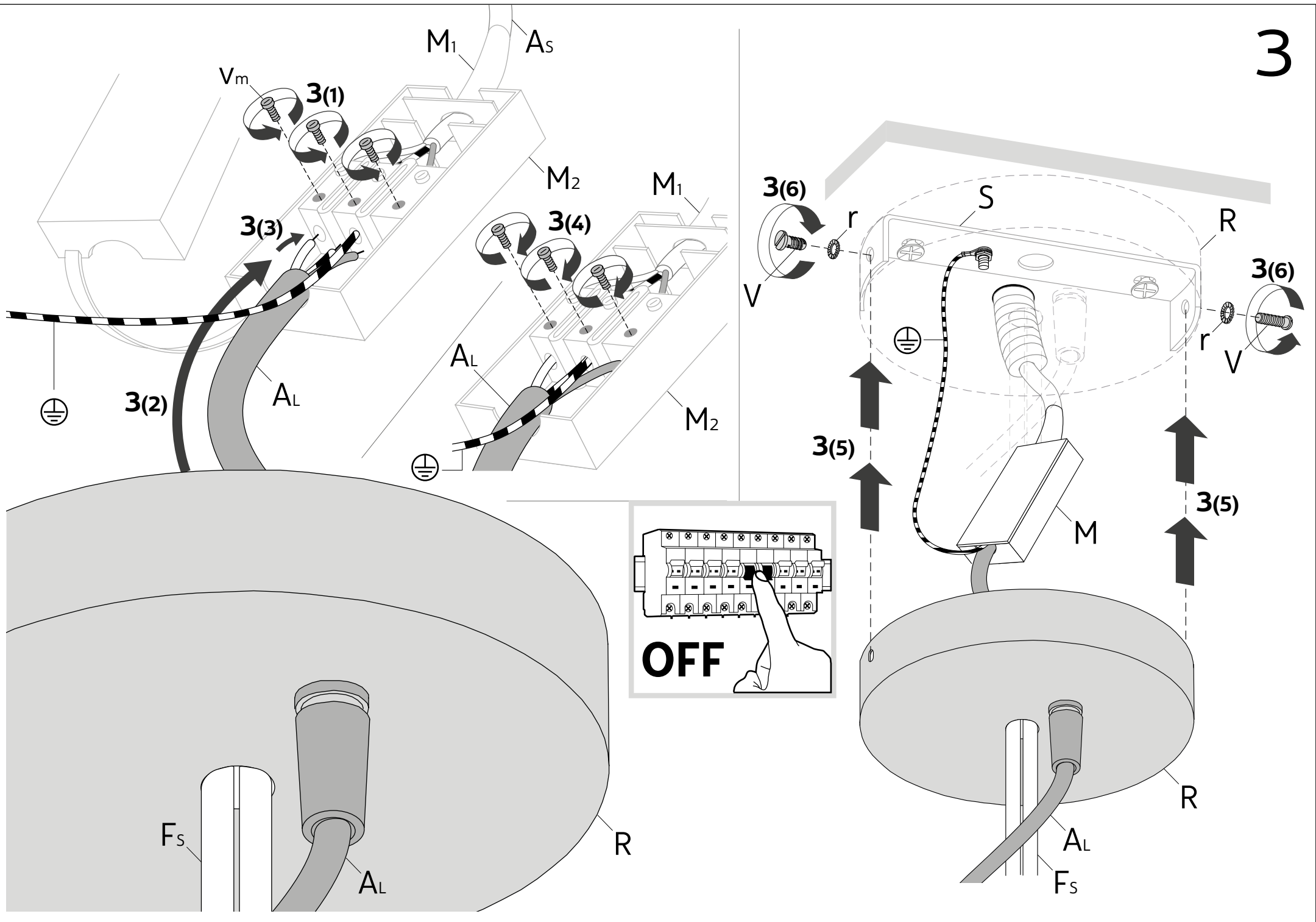
Via A. Grandi, San Martino del piano, 61034 Fossombrone (PU), Italy - p.iva 02175640412 tel +39 0721 71 5042 r.a fax +39 0721 716640 - www.karmanitalia.it

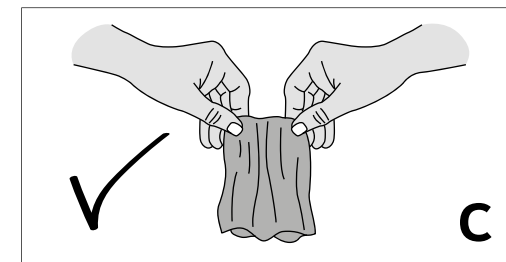
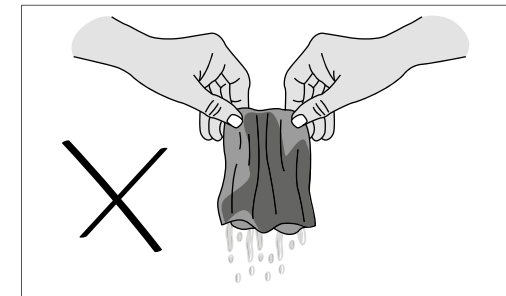
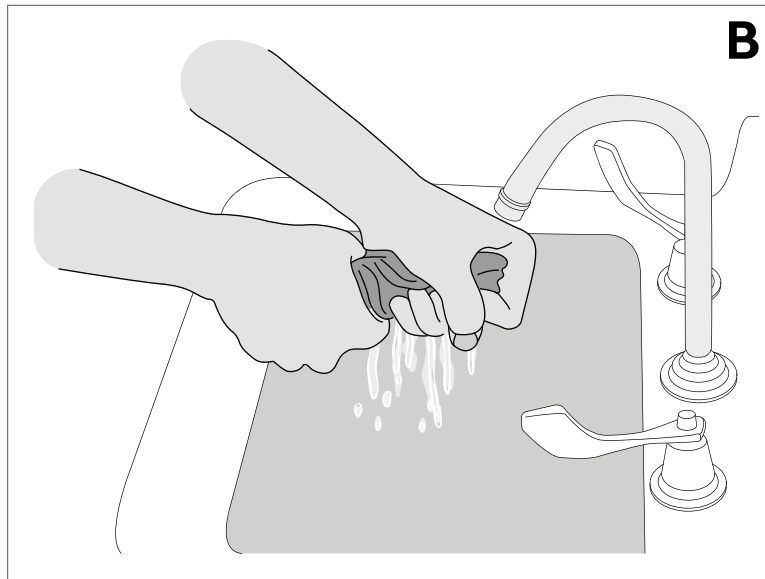
C - 01

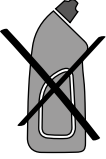











- chemical agents

- chemical agents

- alcohol
