

General Product Information



This product is suitable for indoor dry and damp locations only.



CAUTION - RISK OF FIRE



This product requires installation by a qualified electrician. Before installing be sure to read all instructions and **TURN POWER OFF TO THE JUNCTION BOX**

Adjusting the Fixture Height

- 1 Determine the desired height (H) that you want the fixture to hang below the ceiling.

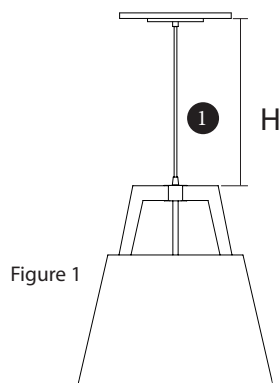


Figure 1

- 5 Slip the Crossbar onto the top of the Upper Stem and lock in place, using the included Allen key, roughly 1.5" from the top of the Upper Stem. As an added safety measure, slide a Slip Ring onto the Upper Stem and fasten above the Crossbar.

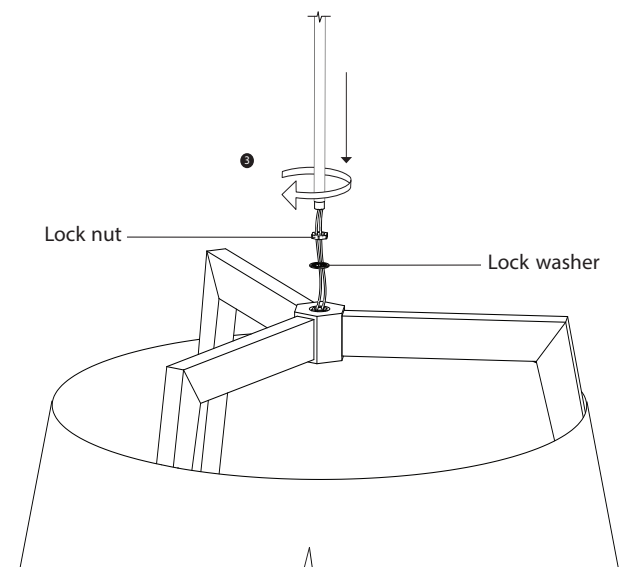


Figure 3

- 2 Cut the Upper Stem using an appropriate cutting method for steel tube. Leave an extra 1.5" length to pass into the junction box.
- 3 Thread the power cords exiting the Shade Assembly through the Lock Washer, Lock Nut, and Upper Stem. Screw the Upper Stem into the threaded adaptor on top of the Shade Assembly. Fasten the lock nut with a wrench to secure the Upper Stem to the Shade Assembly.
- 4 Slip one of the Slip Rings and the Canopy onto the Upper Stem.

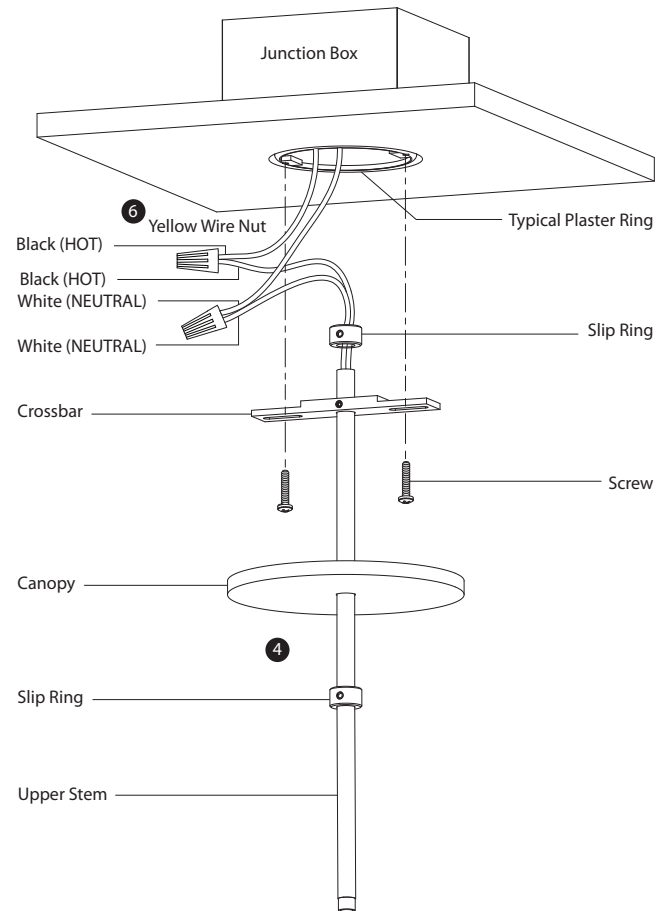
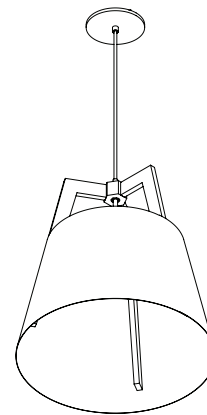


Figure 2



Making Electrical Connections

- 6 Make electrical connections as shown in figure 2 using the supplied wire nuts.

WARNING

THE LED DRIVER IS A DC DEVICE AND MUST BE ATTACHED TO THE LED LIGHT ENGINE AS SHOWN. CONNECTING THIS DEVICE INCORRECTLY WILL CAUSE SEVERE DAMAGE.

Mounting the Fixture

- 7 Attach the crossbar assembly to the junction box using the supplied 8-32 screws.

Securing the Canopy

- 8 After electrical connections have been made, place wire connections and excess wire into the junction box.
- 9 Slide the Canopy and Slip Ring up the Upper Stem. Fasten the set screw in the Slip Ring to hold the Canopy against the ceiling.

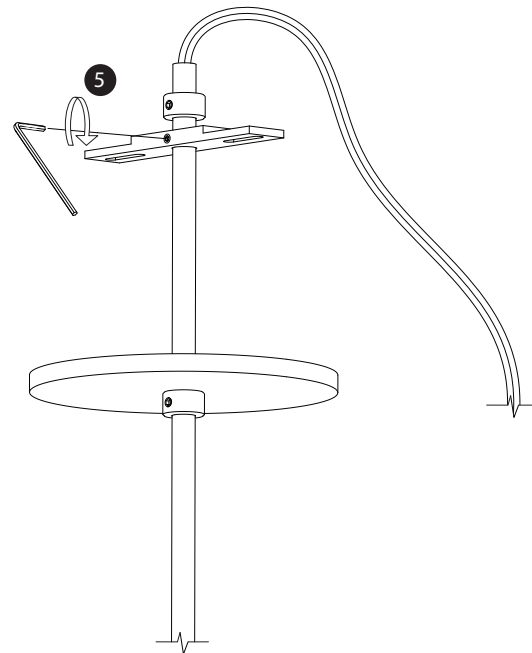


Figure 4

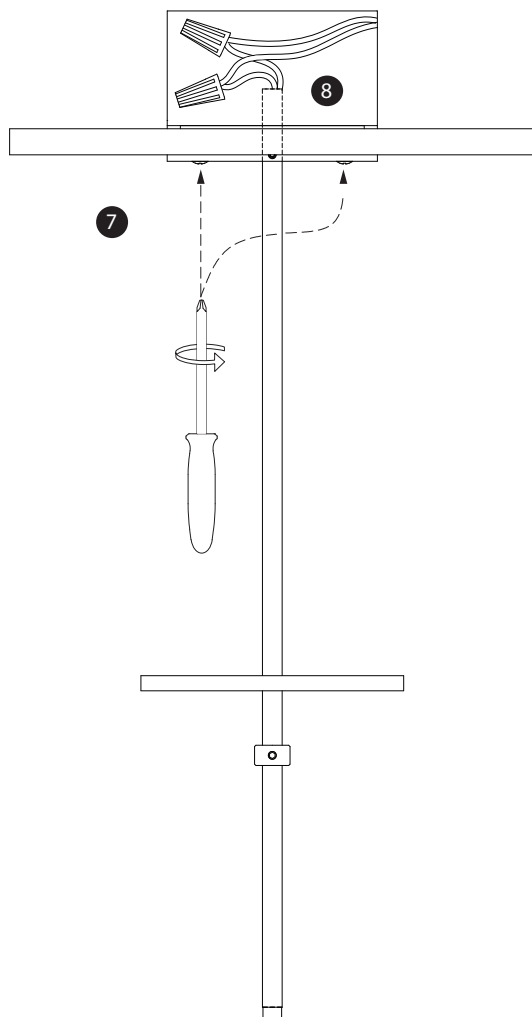


Figure 5

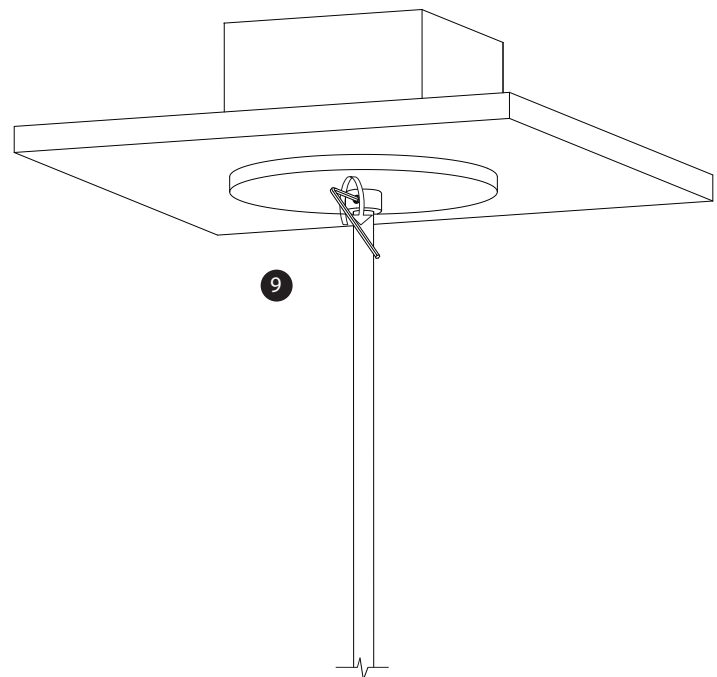


Figure 6