

Imber / Ignis (LED, Rigid Stem)

Installation Instructions

cerno®

General Product Information



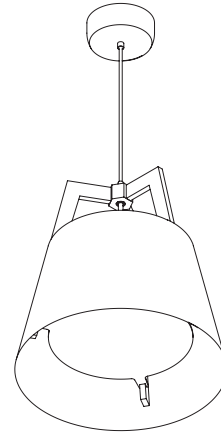
This product is suitable for indoor dry and damp locations only.



CAUTION - RISK OF FIRE



This product requires installation by a qualified electrician. Before installing be sure to read all instructions and **TURN POWER OFF TO THE JUNCTION BOX**



Adjusting the Fixture Height

- 1 Determine the desired height (H) that you want the fixture to hang below the ceiling.

CRITICAL NOTE: Cut the Upper Stem using an appropriate cutting method for steel tube.

- 2 Thread the LED module power cables through the shade frame. Screw threaded rod on LED module into threaded fitting in frame.
- 3 Thread the power cords exiting the Shade Assembly through the Lock Washer, Lock Nut, and Upper Stem. Screw the Upper Stem into the threaded adaptor on top of the Shade Assembly. Fasten the lock nut with a wrench to secure the Upper Stem to the Shade Assembly.

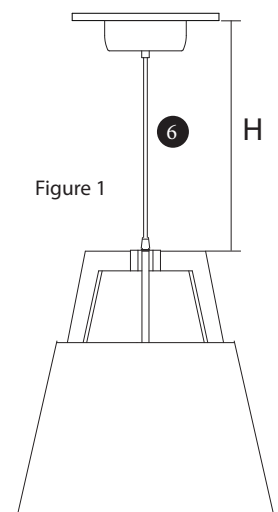


Figure 1

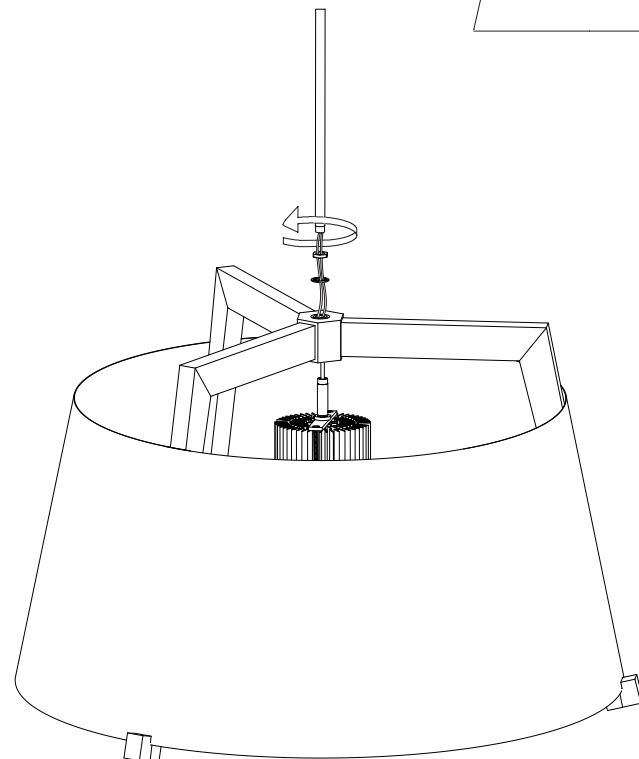
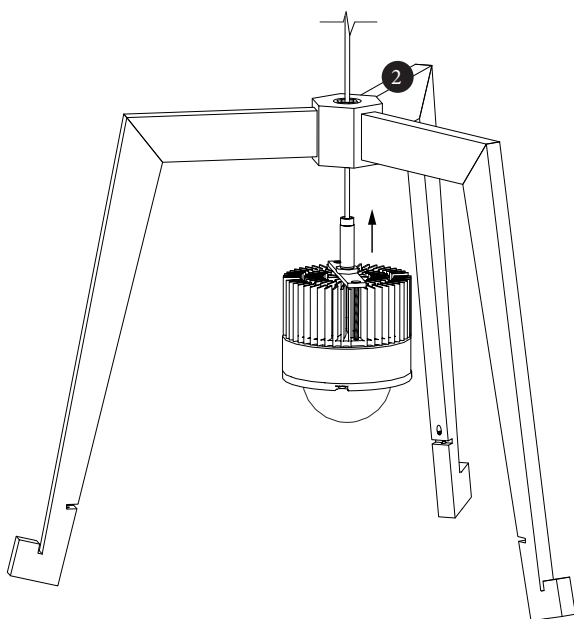


Figure 1

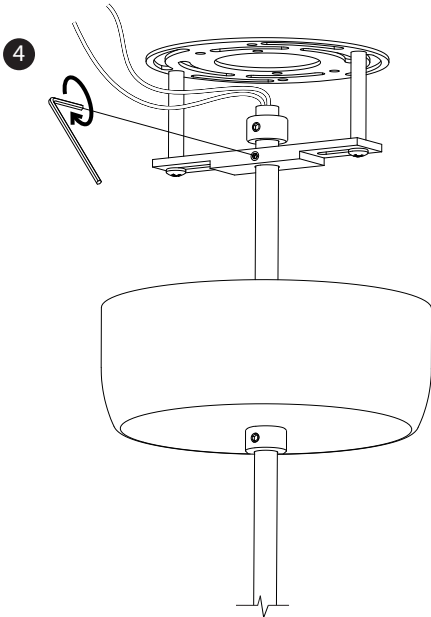


Figure 3

- Slip the Crossbar Assembly onto the top of the Upper Stem and lock in place, using the included Allen key, roughly 1.5" from the top of the Upper Stem. As an added safety measure, install the Slip Ring onto the Upper Stem and fasten above the Crossbar.

Making Electrical Connections

- Make electrical connections as shown in figure 6 (following page) using the supplied wire nuts.

CRITICAL NOTE: If 0-10V dimming control is to be used, connect purple and gray driver leads to 0-10V dimmer. Otherwise, the tinned ends of the leads should be snipped off and the leads should be capped individually such that they remain isolated from one another.

WARNING

THE LED DRIVER IS A DC DEVICE AND MUST BE ATTACHED TO THE LED LIGHT ENGINE AS SHOWN. CONNECTING THIS DEVICE INCORRECTLY WILL CAUSE SEVERE DAMAGE.

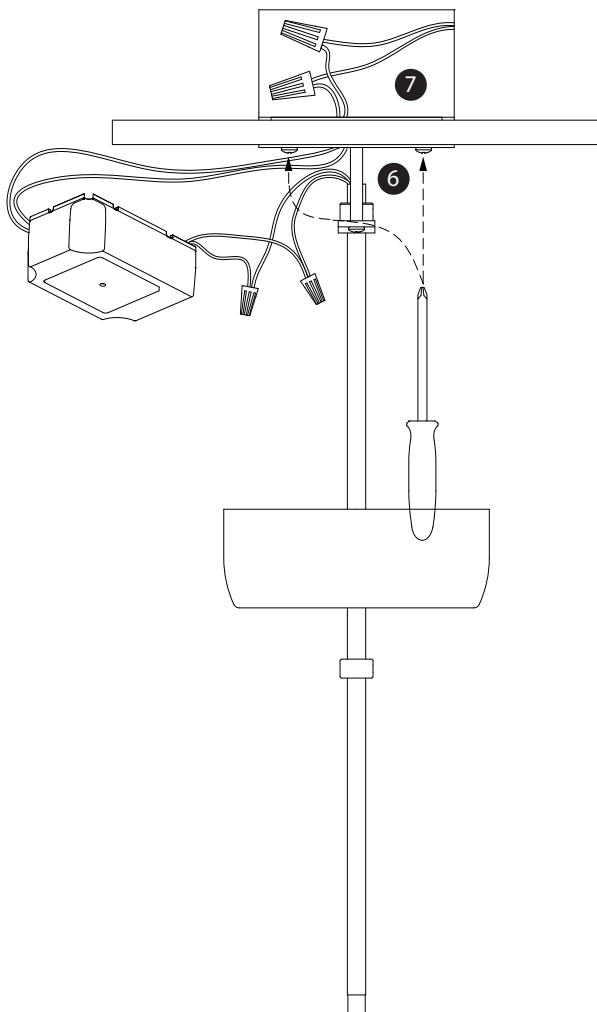


Figure 4

Mounting the Fixture

- Attach the crossbar assembly to the junction box using the supplied screws.

Securing the Canopy

- After electrical connections have been made, place wire connections and excess wire into the junction box.
- Arrange LED driver and wires to fit under canopy.
- Slide the Canopy and Slip Ring up the Upper Stem. Fasten the set screw in the Slip Ring to hold the Canopy against the ceiling.

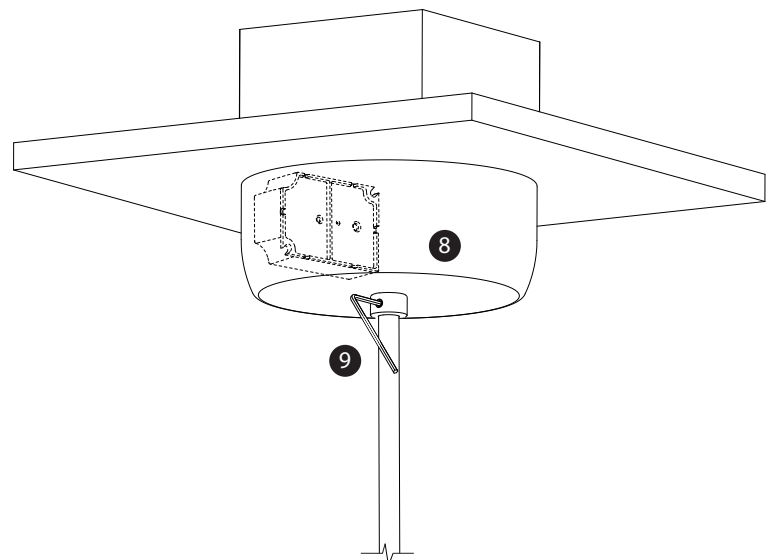


Figure 5

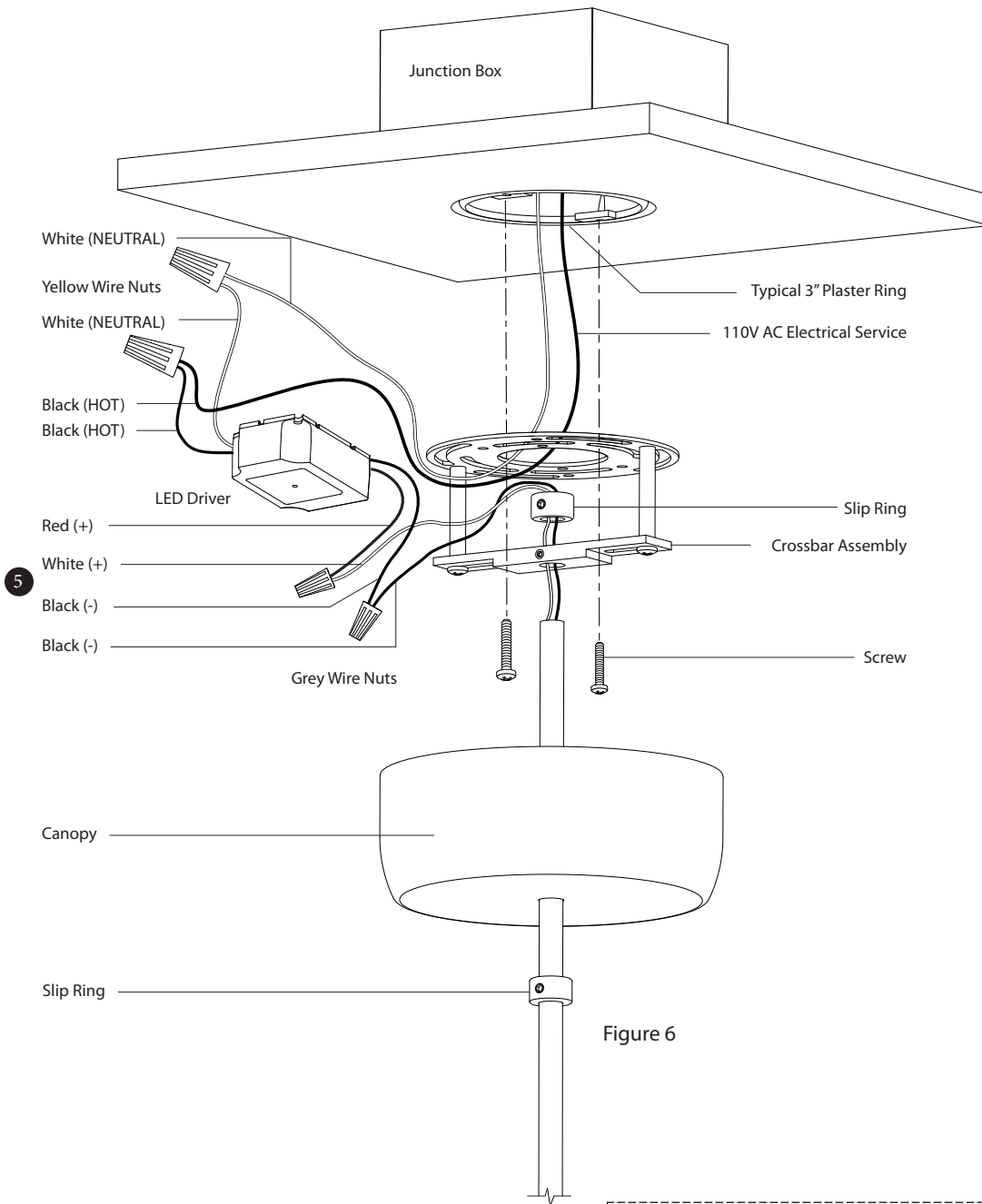


Figure 6

Dimming Notes

Input Voltage	Dimming Modes
120 VAC	Triac, ELV, or 0-10V
240 VAC	0-10V only
277 VAC	0-10V only

