



EOS UP

large | user guide



UIMAGE



WITH LOVE FROM COPENHAGEN

At UIMAGE, our designers take inspiration from the distinct nature of the Nordic landscape to create unique designs related to the way we live in an urban setting. Influenced by the design language, colours and materials found around us in Scandinavia, we create a collection that is rooted in our home but designed for everyone.

Versatile, flexible and multifunctional, our furniture and accessory collection is designed for packing the most into life in smaller spaces!



SAFETY PROCEDURES

Read and keep these instructions for future reference

- **This product is NOT a children's toy and should NOT be used in any other manner than described throughout this user guide.**
- **Always turn electrical power off at the electrical service panel of the household before handling electrical wires. Keep electrical power turned off throughout the entire installation procedure.**
- **NEVER touch the light bulb immediately after the light has been turned off. Beware of possible scalding! Let the light bulb cool off sufficiently before changing the bulb.**
- **ONLY use this product where the same official electrical and technical parameters, as described, exists!**
- **This product is for indoor use ONLY, excluding any wet areas.**

- **Do NOT install this product near flammable or heat-sensitive objects.**
- **Do NOT try to repair the product if any of the electrical or mechanical components are in any way broken, not as expected, or malfunctioning. Please contact a qualified electrician.**
- **Different wall materials require different types of screws. ALWAYS choose screws that are specially suited to the materials of your walls.**

WARNING

Ignoring any of the Safety Instructions, or deviating from any of the steps in either the Installation-, the Maintenance- may result in a risk of fire or electric shock. You are advised to contact a qualified electrician for these procedures.

! IMPORTANT !

EOS UP LARGE SAFETY INSTRUCTIONS

(Read and keep these instructions for future reference)

Product name: Eos Up large

Model no.: 3016

Rating parameter: 120V, 50/60HZ, AC ONLY

Lamp type: GU24 / 10W LED MAX

MIN 75°C SUPPLY CONDUCTORS

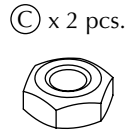
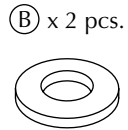
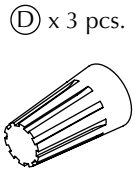
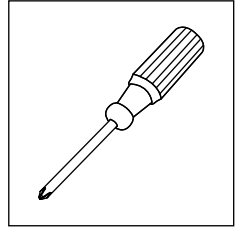
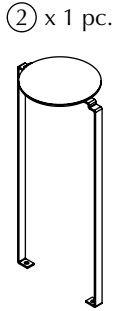
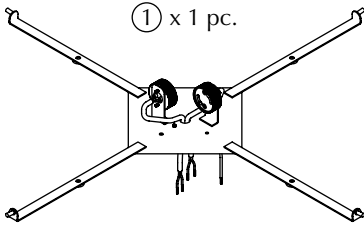
NOTE

**DO NOT PLUG IN YOUR LAMP TO A POWER SOURCE
UNTIL LAMP ASSEMBLY AND BULB INSTALLATION IS
COMPLETE.**

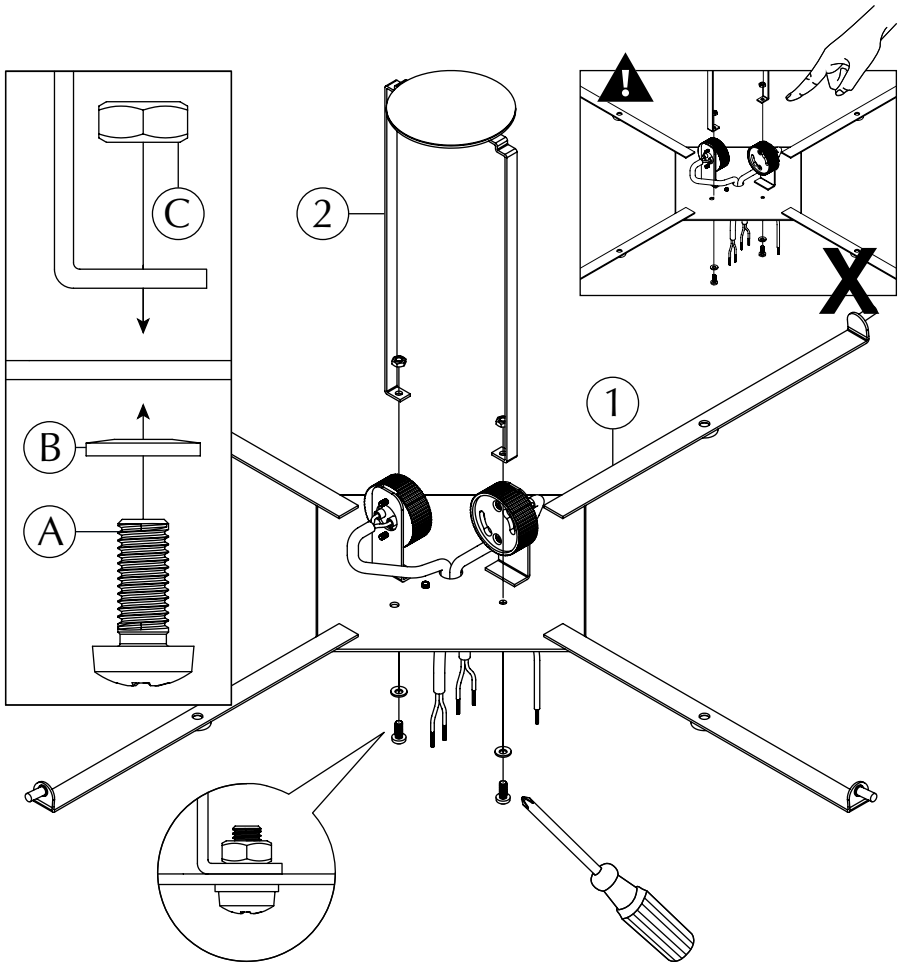
NOTICE

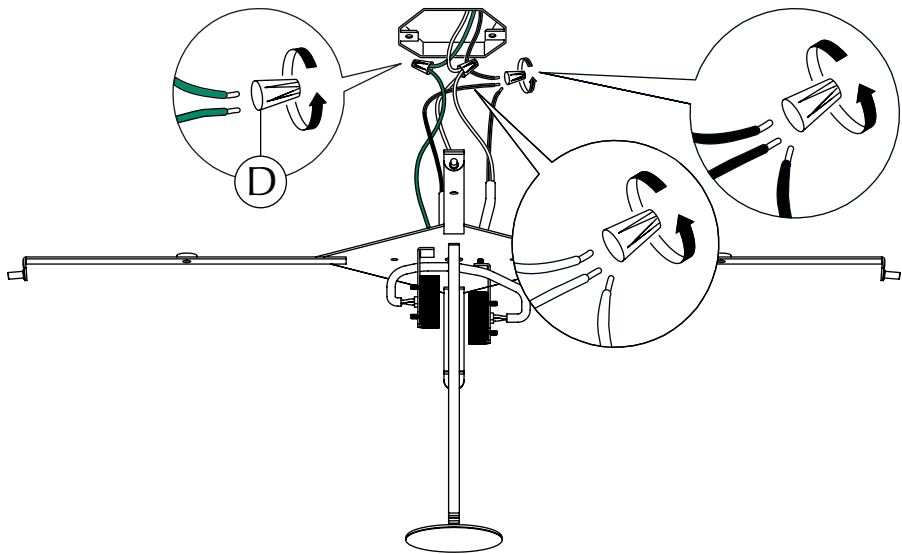
**THIS PRODUCT MUST BE INSTALLED IN
ACCORDANCE WITH THE APPLICABLE INSTALLATION
CODE BY A PERSON FAMILIAR WITH THE
CONSTRUCTION AND OPERATION OF THE PRODUCT
AND THE HAZARDS INVOLVED.**

ASSEMBLY GUIDE

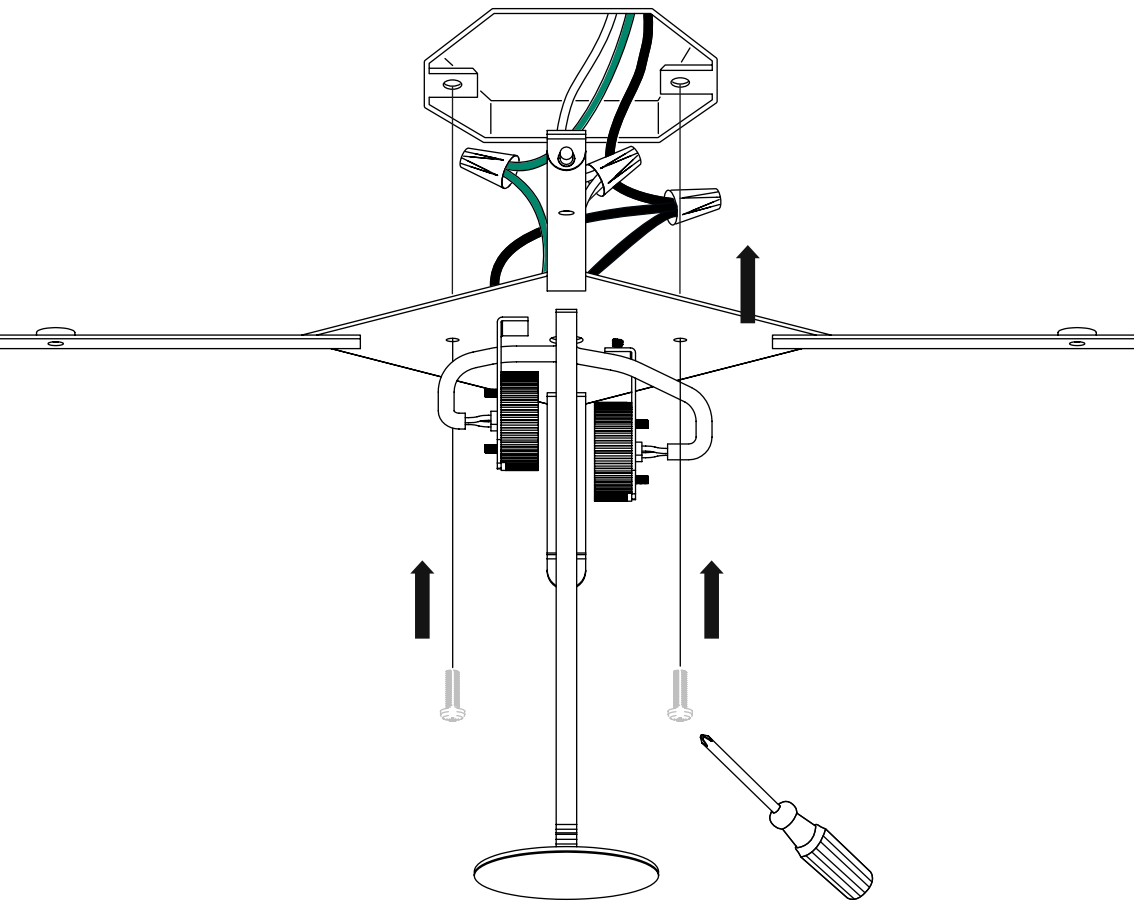


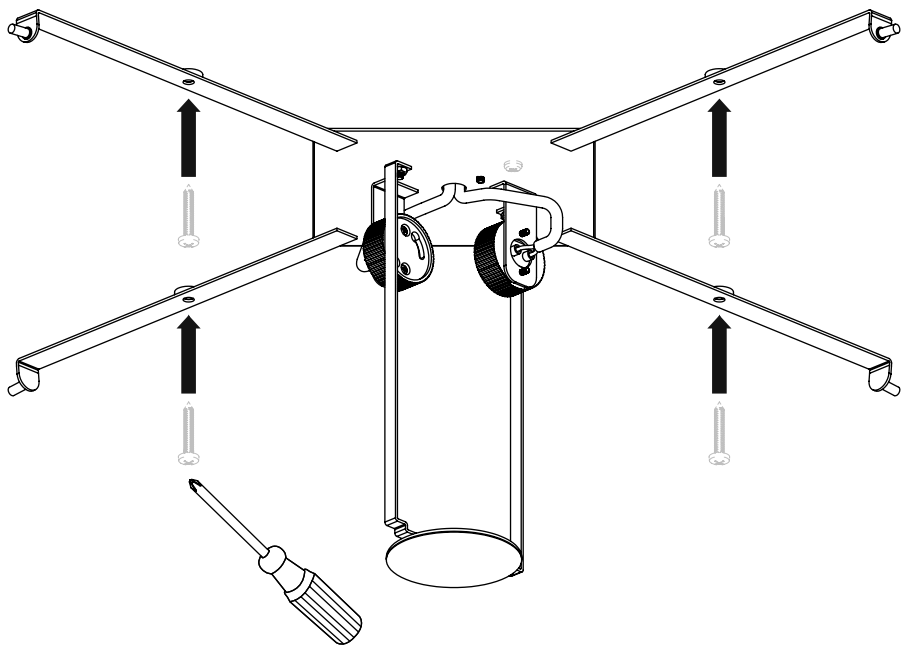
Find assembly videos by using the QR code
or by going online at our website [umage.com/instructions](https://www.umage.com/instructions)



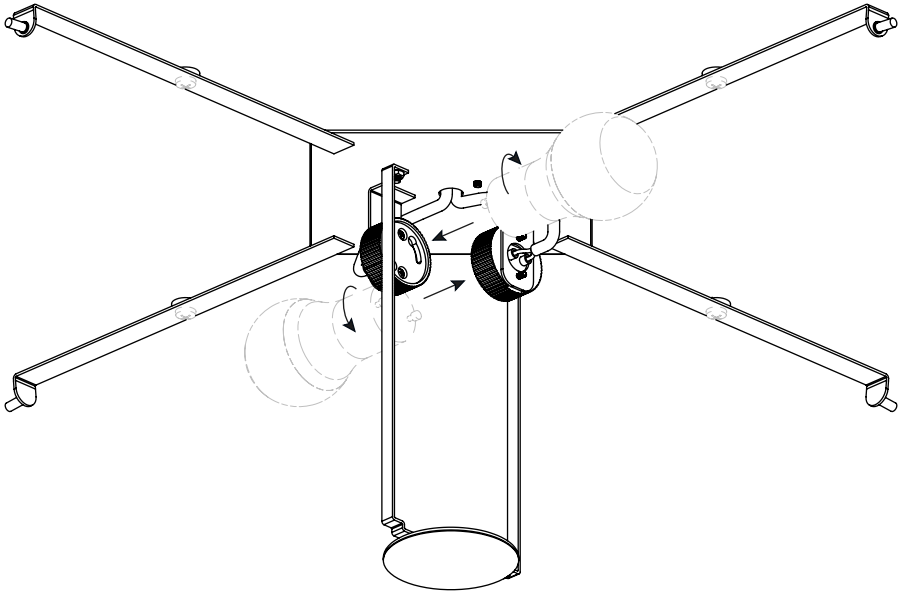


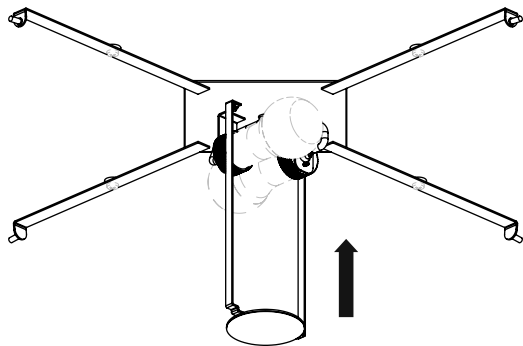
i	ENGLISH Live	ENGLISH Neutral	ENGLISH Earth/ Ground
	FRANÇAIS Phase	FRANÇAIS Neutre	FRANÇAIS Terre
	ESPAÑOL Con corriente.	ESPAÑOL Neutro	ESPAÑOL Tierra

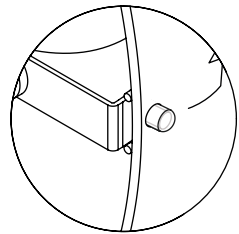
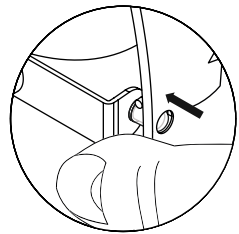
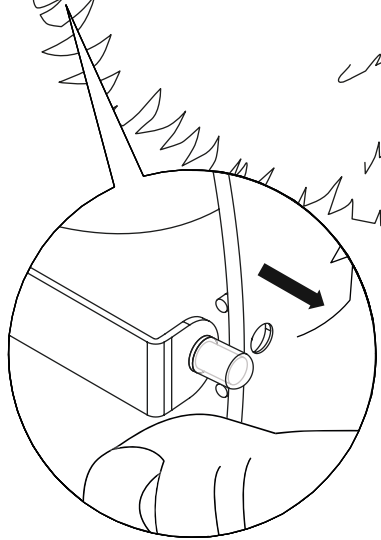


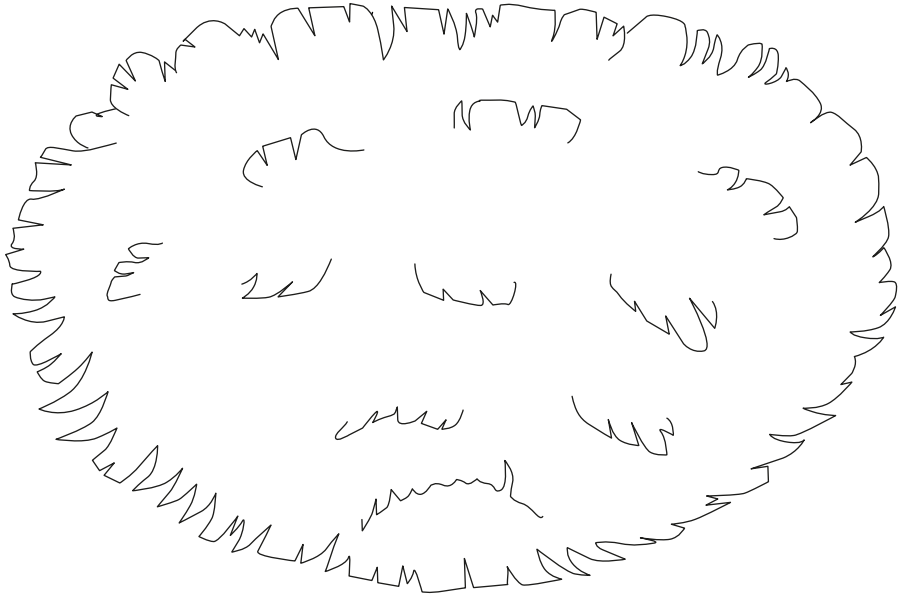


2 X MAX 10W LED
GU24











DESIGNED BY
SOREN RAVN CHRISTENSEN

“ Whether it’s in width or
height, you need light to
make your small areas
come to life. ”

CARE AND MAINTENANCE

Please follow the below care and safety instructions to ensure many years of enjoyment with your new design item from UIMAGE.

- Please give the feathers time to readjust to their original shape. It may take up to two weeks, but you can help them along by running your fingers carefully through the feathers.
- The nature of the organic materials might give off the characteristic odors.
- This is a handmade product made of natural goose feathers, giving each lamp a unique look.
- Keep the lamp clean using a hair dryer on the coolest setting, 25 cm (10") from the lamp, and blow the loose dust from the feathers. Use a clean damp cloth for dust that is difficult to remove.
- Always turn electrical power off before cleaning the product or changing the bulb.
- Avoid tension on the cords while handling the product.
- Keep the shade away from sunlight, humid or very dry areas. Keep away from fire and fire hazards such as fireplaces, candle lights or similar, but also from hot areas such as heaters or similar.
- This is a handmade product made of natural goose feathers, giving each lamp a unique look. As every lamp is different, feathers might look different than in the photos. Feathers that are curly, split, or in all directions will come to shape over time. To cover possible gaps or open areas where fewer feathers are visible, don't be afraid to bend the feathers. Just squeeze the hollow shaft between your thumb and fingers and give the feathers the look you want. Each lamp requires grooming before it is exactly to your liking.

ACORN
amber brass



EOS UP
medium | white



CONIA
mini | white



ALUVIA

mini | anthracite grey





UMAGE UNFOLD AT HOME

GET THE FREE UIMAGE APP

Preview our entire collection in your own home – before you buy

Imagine an UIMAGE lamp or furniture piece in your home. Is it the right design, size and colour? We made it easier for you to find the perfect UIMAGE design. Just download our free **UMAGE Unfold at Home** app from the App Store or Play Store, and see how our designs will look in your home!



FOLLOW US ON SOCIAL MEDIA



@umagedesign | #umagedesign | umage.com




UMAGE