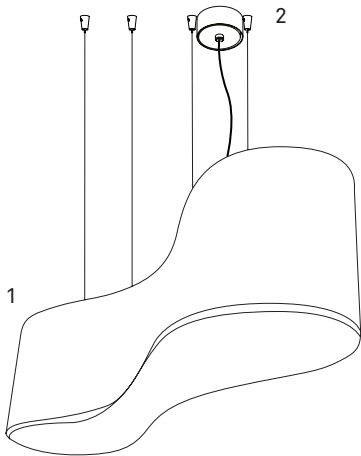




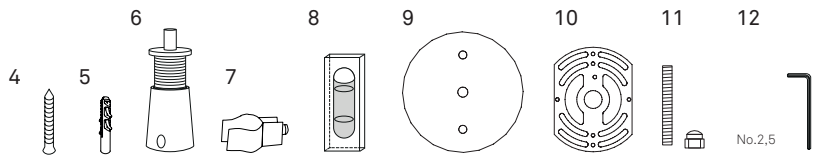
NEW WAVE

NWAV S UL | SET UP

CONTENTS



1 Shade.	1 un.
2 Canopy.	1 un.
3 Drill template.	1 un.
4 Screws	4 un.
5 Wall plugs	4 un.
6 Ceiling cones	4 un.
7 Cable clip	1 un.
8 Level.	1 un.
9 Cover	1 un.
10 Adjustable Back Plate	1 un.
11 Screws & Spherical nuts	2 un.
12 Allen key N° 2,5	1 un.



TECHNICAL SPECIFICATIONS

Recommended bulb

E26 Base



LED A19 2 x 15 W max. or

GU24 Base



LED A19 2 x 15 W max. or

120-277V



WEIGHT

Net Weight

4,2 Lb

Gross Weight

10,8 Lb

WARNINGS

Before assembly and installing this product, carefully read the following:

Turn off the mains before installing the lamp. Dry location only. This lamp is for indoor use only.

IMPORTANT.

Luziferlamps S.L. provides ceiling anchor templates for your luminaires. In case these templates are not used, LZF shall not be responsible for any possible incidents/ or complaints.

WOOD VENEER: Since wood is a natural material, a gradual change in tone may occur over time. Furthermore, if the lamps have been purchased at different times, there will be differences in colour and tone, particularly in light coloured veneers. Luziferlamps S.L. will not be held responsible for this.

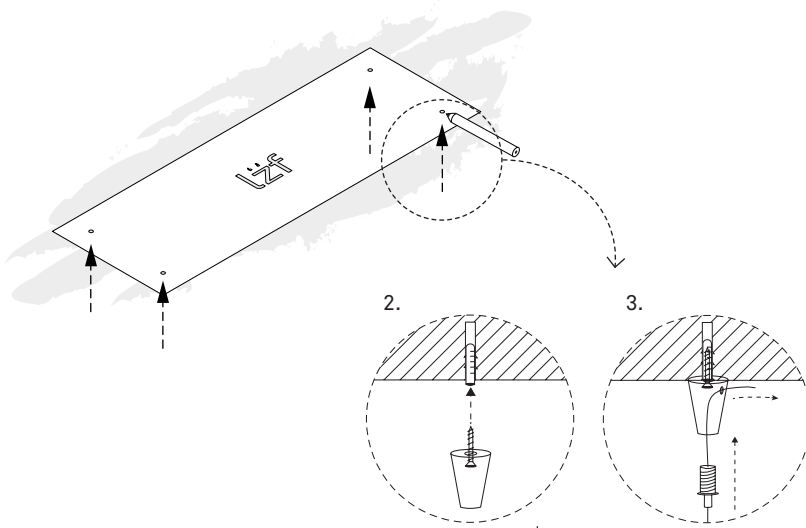
MORE INFO:
<http://www.lzf-lamps.com/guarantee/>





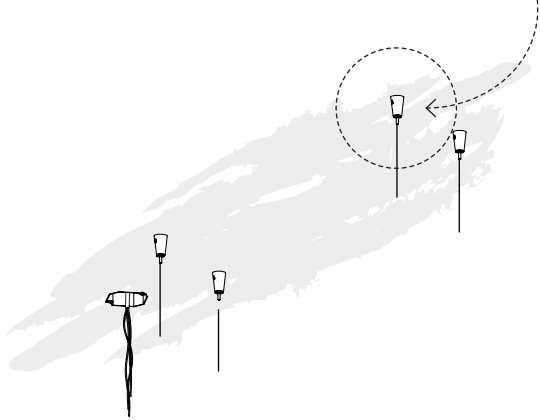
ASSEMBLY INSTRUCTIONS

1.



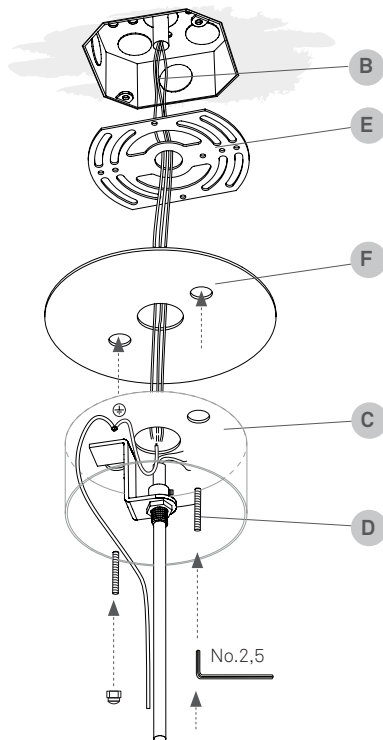
1. Mark on ceiling. Use the drill template to mark on the ceiling.
 2. Fix the cone to the ceiling in the position marked from the drill plate.
 3. Take the steel cable from the lamp. It will have a nipple shaped cable trap at one end. Screw this into the suspension cone tightly. By pushing the nipple down you free the cable and can adjust it to the height desired. (when you release the nipple it will block the cable again).

4.



4. Set the height and let the cables take the weight of the lamp. Use the level supplied to get your lamp horizontal. Now you are ready to make the electrical connection.

5.



5. The canopy is made up of a back plate with the electrical connections on it and a semi spherical cover.
 Feed the electrical wires (C) from the mains through the electrical back plate (B), fix back plate to the junction box (A) with the most adequate screws (D) (not supplied) and prepare to wire up.

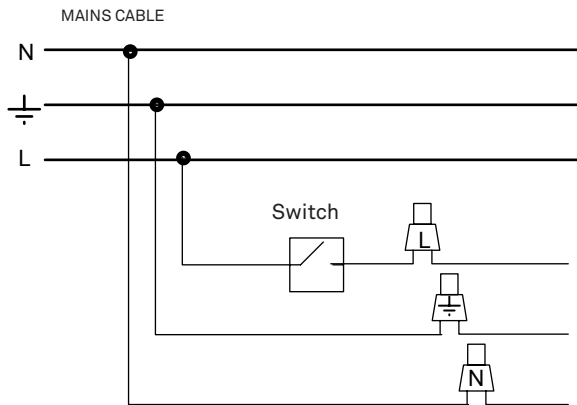
Feed the electrical wires (B) from the mains through the adjustable back plate (E) (optional), the cover (F) (optional), and the canopy (C). Fix three pieces to the junction box and prepare to wire up.

If you don't have junction box, fix (D) the canopy to the ceiling.



ASSEMBLY INSTRUCTIONS

6.



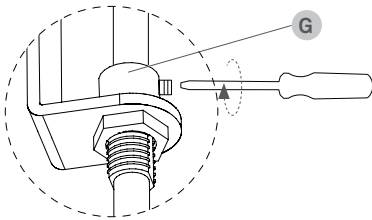
6. CONNECTION

Turn off the mains before installing the lamp.

Connect the lamp to the mains as follows.

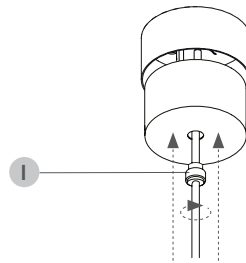
You should have a three wire cable coming from the mains, **N, L** and **GND** (⊕). Connect these to the cables of the same colour coming from the lamp.

7.



7. Tighten the screw on the electrical cable trap (G).

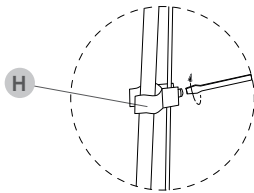
8.



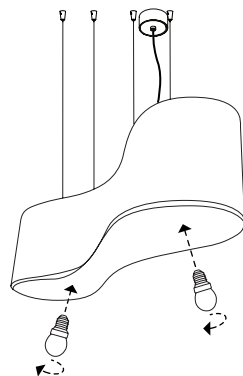
Put on the cable clips (H) and clip them to the electrical cable.

Tighten the screw on the electrical cable trap (G).

8. Once all your wiring is complete raise the canopy and screw on the canopy support nut (I) that holds the cover in place.



9.



9. Install the bulb.

10. Turn on the mains again.

© Luziferlamps, S.L.
Valencia, Spain. 2018.
All rights reserved.
www.import-ent.com
support@import-ent.com

GENERAL CARE INSTRUCTIONS

REV.10-2020

D38_345

Use and care of your lamp.

You have just purchased an original handmade product by LZF. Your lamp is made out of FSC® certified natural wood veneer treated with our patented finish, Timberlite®. This treatment both protects and safeguards the wood veneer against breakages.

Depending on the type of lamp use a feather duster, soft cleaning cloth or damp cloth for cleaning. On our more delicate shades, like those made from wood strips, a feather duster or an air blower is preferable. In our more solid shades a damp cloth may be used.

Clean only the flat surface of the veneer with the cloth, and please avoid any moisture contact along the edge of the veneer.

Acrylic Diffusers

The acrylic diffusers on your lamp can be cleaned with a regular window cleaning spray and a soft cloth. Do not use solvents of any kind.

Bulbs

Bulbs not included, unless indicated. We recommend using energy-saving light bulbs, like the CFL or LED bulbs. Please refer to the instruction manual or visit our website www.lzf-lamps.com to make sure you are using the best bulb for your type of lamp.

Precautions

Luminaire for indoor use only.

Avoid direct sunlight, strong indirect sunlight and moisture on your lamp. Unplug the lamp before cleaning or changing the light bulb.

Installation of the fixture should only be performed by qualified electrical personnel or by the LZF service department.