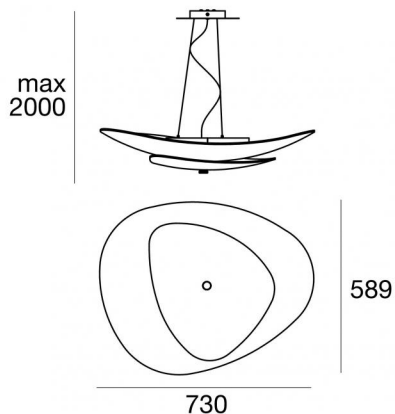


Moledro_P



Pendant Luminaires | 220-240 V | 3xE27
90318



Technical data	
Type	Surface
Installation position	Wall lights
Installation environment	Indoor
Lamp cap	3 x E27 Max 46W
Frequency	50-60 Hz
Optics	General Lighting
Light emission direction	downward and upward
Safety class	1
IP	IP20
Glow wire test	850°
Direct mounting on normally flammable surfaces	Yes
CE	Yes
Dimmable article	No
Directional	No
Tilting	No
Walk-over	No
Drive-over	No
Cable included	No
Resin potting	No
Net weight	7.555 Kg

Finishing casing	
Material	Iron
Colour	white
Processing	Coating

Finishing diffuser	
Material	Glass - Glass
Colour	white - gold
Processing	Sandblasting

Finishing mounting frame	
Material	Iron
Colour	white
Processing	Coating



Pendant Luminaires | 220-240 V | 3xE27
90318

Double emission pendant luminaires for indoor application. Compatibility:
LED lamp, halogen 46 W, compact fluo 20 W; lamp cap 3xE27.

The device body is made of iron and features a white finish, processed by means of coating; the diffuser is made of glass with a sandblasting treatment; the diffuser is made of glass; the mounting frame is made of iron, with a white finish, processed by means of coating. The ingress protection degree is IP20; the total weight is of 7.555 kg.

The device features protection class I and can be wall lights-mounted.

Compliant with the EN 60598-1 standard and its specific provisions.

Illuminotechnical Features

Source lumens	2100 lm
Colour temperature	2800 K
Colour rendering index	100 Ra
Junction temperature (lighting fixture)	80
Standard Operating Ambient Temperature	25