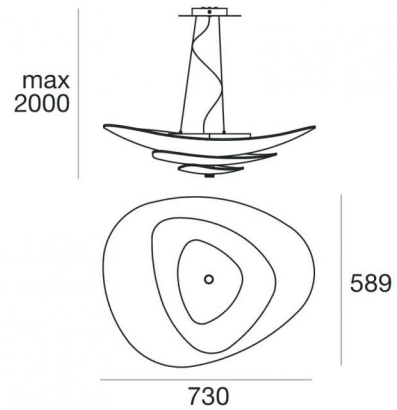
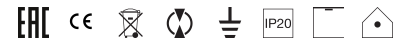


Moledro_P



Pendant Luminaires | 220-240 V | 3xE27
90239



Technical data	
Type	Surface
Installation position	Ceiling
Installation environment	Indoor
Lamp cap	3 x E27 Max 46W
Frequency	50-60 Hz
Optics	General Lighting
Light emission direction	downward
Safety class	1
IP	IP20
Optical compartment IP	IP20
Glow wire test	850°
Direct mounting on normally flammable surfaces	Yes
CE	Yes
Dimmable article	No
Directional	No
Tilting	No
Walk-over	No
Drive-over	No
Cable included	No
Resin potting	No
Net weight	7.700 Kg

Finishing casing

Material	Iron
Colour	white
Processing	Coating

Finishing diffuser

Material	Glass
Colour	white
Processing	Sandblasting

Finishing mounting frame

Material	Iron
Colour	White RAL 9016
Processing	Coating



Pendant Luminaires | 220-240 V | 3xE27
90239

Double emission pendant luminaires for indoor application. Compatibility:
LED lamp, halogen 46 W, compact fluo 20 W; lamp cap 3xE27.

The device body is made of iron and features a white finish, processed by means of coating; the diffuser is made of glass with a sandblasting treatment; the mounting frame is made of iron, with a white ral 9016 finish, processed by means of coating. The ingress protection degree is IP20; the total weight is of 7.700 kg.

The device features protection class I and can be ceiling-mounted.

Compliant with the EN 60598-1 standard and its specific provisions.

Illuminotechnical Features

Source lumens	2100 lm
Colour temperature	2800 K
Colour rendering index	100 Ra