

Libri - Mounting Kit, Wall Mount Plug In

Installation Instructions

cerno®

General Product information

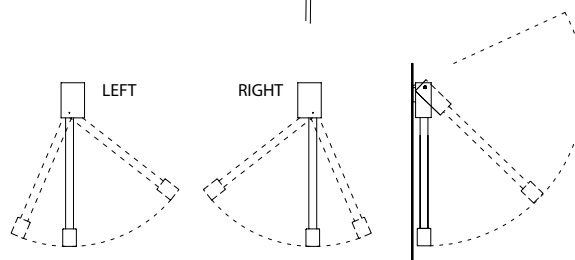


This product is suitable for indoor dry locations only.

The product turns on automatically when the fixture is pulled away from the wall.

These are supplemental instructions to be used in conjunction with the Libri - Hardwired or Libri - Plugin instructions.

Wall Mount Plugin Backplate is used when mounting directly to the wall and plugging into a wall outlet. The wall mount is an elongated rectangular piece of walnut or brushed aluminum that allows the cord to exit discreetly below the fixture.



Libri reconfiguration from Left to Right or vice versa.



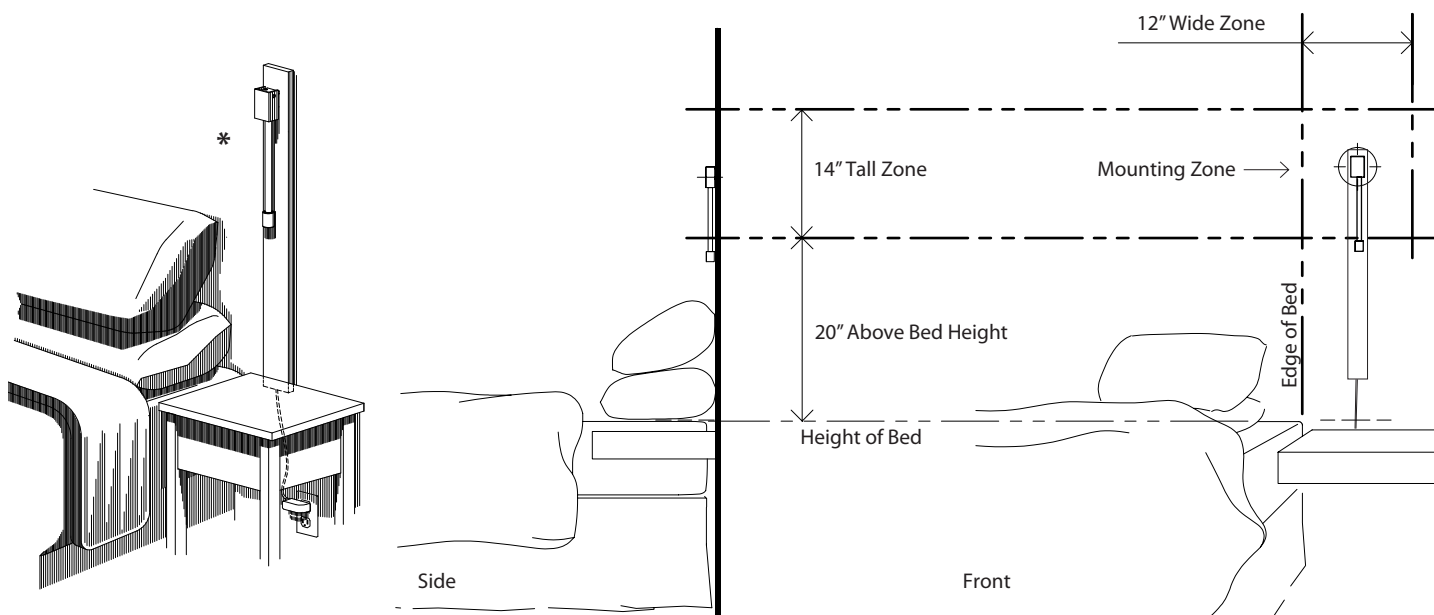
WARNING



This product requires the use of the supplied CONSTANT CURRENT led driver. **DO NOT CONNECT DIRECTLY TO LINE VOLTAGE OR USE ANY OTHER POWER SOURCE!!!**

Positioning the Fixture

For mounting the libri as a bedside reading fixture, there is an optimal zone within which to mount the fixture. The exact position within this zone will depend on personal preference. If you enjoy sitting upright to read, you will want to mount it high and away from the edge of the bed. If you don't have long arms and want to control the light while laying down, you will want to mount the fixture lower and closer towards the bed. Also consider the cord that exits the bottom of the cord cover; this solution was meant to allow the cord to exit behind a night stand and out of sight.*



Installing the Fixture

- 1 Attach the mounting plate to the wall securely (drywall anchors included)
- 2 Slide the cord cover onto the mounting plate as depicted by the arrow.
- 3 Pull excess cord out of the bottom of the cord cover as you place the libri light fixture body against the cord cover.
- 4 Use screws to secure the light fixture into place.
- 5 Plug the cord into the supplied constant current LED driver.

WARNING

DO NOT CONNECT DIRECTLY TO LINE VOLTAGE OR ANY OTHER POWER SOURCE!

