

# Lenis Linear Pendant

Installation Instructions

cerno®

## General Product Information



This product is suitable for indoor dry locations only.

This product is to be installed to a standard 4" junction box with 3" round plaster ring or an octagon junction box.



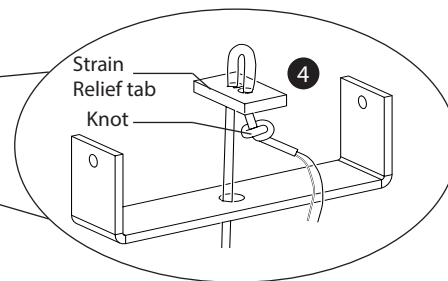
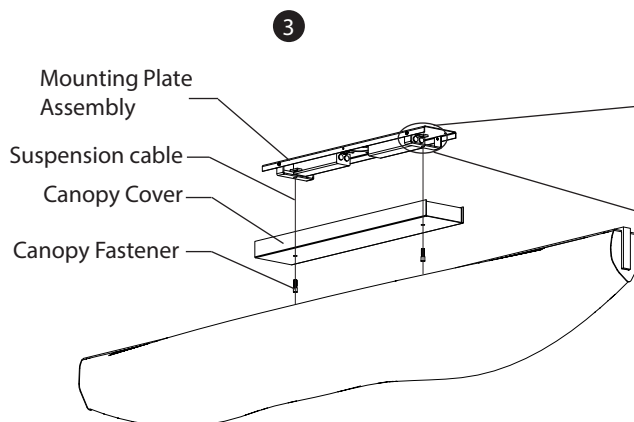
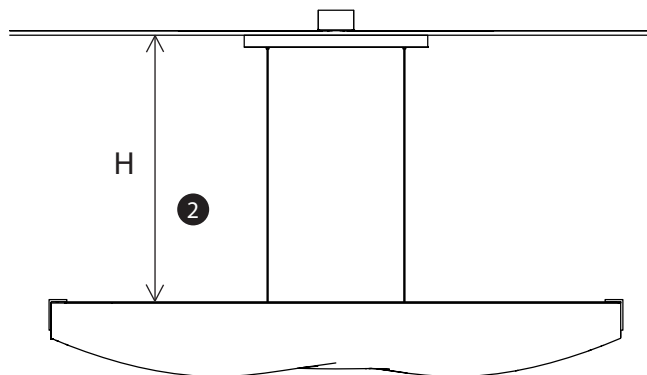
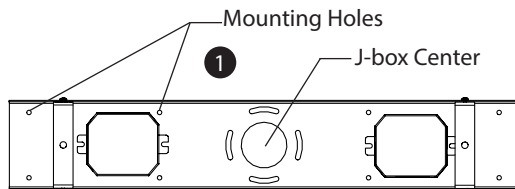
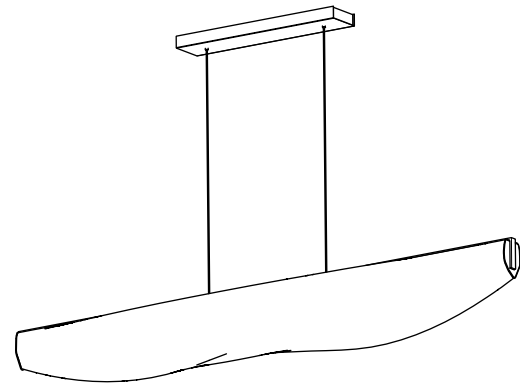
### CAUTION - RISK OF FIRE



This product requires installation by a qualified electrician. Before installing be sure to read all instructions and **TURN POWER OFF TO THE JUNCTION BOX**

## IMPORTANT NOTE!

Thoroughly clean hands, clothing, and all work surfaces that the fixture may contact during installation. Remove fixture from packaging and set flat face-down on clean work surface to prevent from rolling.



## Preparing the Ceiling Conditions

- 1 The Canopy Mounting Plate will need to be secured over the J-box location. The pattern in the center of the plate allows it to be fastened to a 3" plaster ring. Additional fasteners (provided) will be used to secure the Canopy Mounting Plate to the ceiling. If using drywall anchors, hold the Canopy Mounting Plate in place over the J-box opening and use as a template to mark anchor locations. Do not fasten to ceiling yet.

## Setting the Fixture Height

- 2 Measure the desired height (H) that you want the fixture to hang below the ceiling.
- 3 Thread the suspension cables through the Canopy Fasteners, Canopy Cover, and Mounting Plate Crossbars.
- 4 Feed the Suspension Cables through both holes of the Strain Relief Tab and set at the appropriate position to achieve the desired height (H). Tie a knot in the cables above the strain relief tabs to prevent cable from slipping.

### Mounting the Fixture

- 5 Fasten the mounting plate to the junction box using the #8-32 machine screws.
- 6 Fasten the mounting plate to the ceiling using the wood screws. (Optional) Use the backplate as a template for the provided anchors.
- 7 Use wire nuts to connect the driver output wires to the fixture input wires.
- 8 Pull the line voltage wires through the center hole in the mounting plate. Use wire nuts to make connections between line voltage wires and the drivers.
- 9 (Optional) If 0-10V dimming control is to be used, connect purple and grey LED Driver leads to leads from remote 0-10V dimmer.

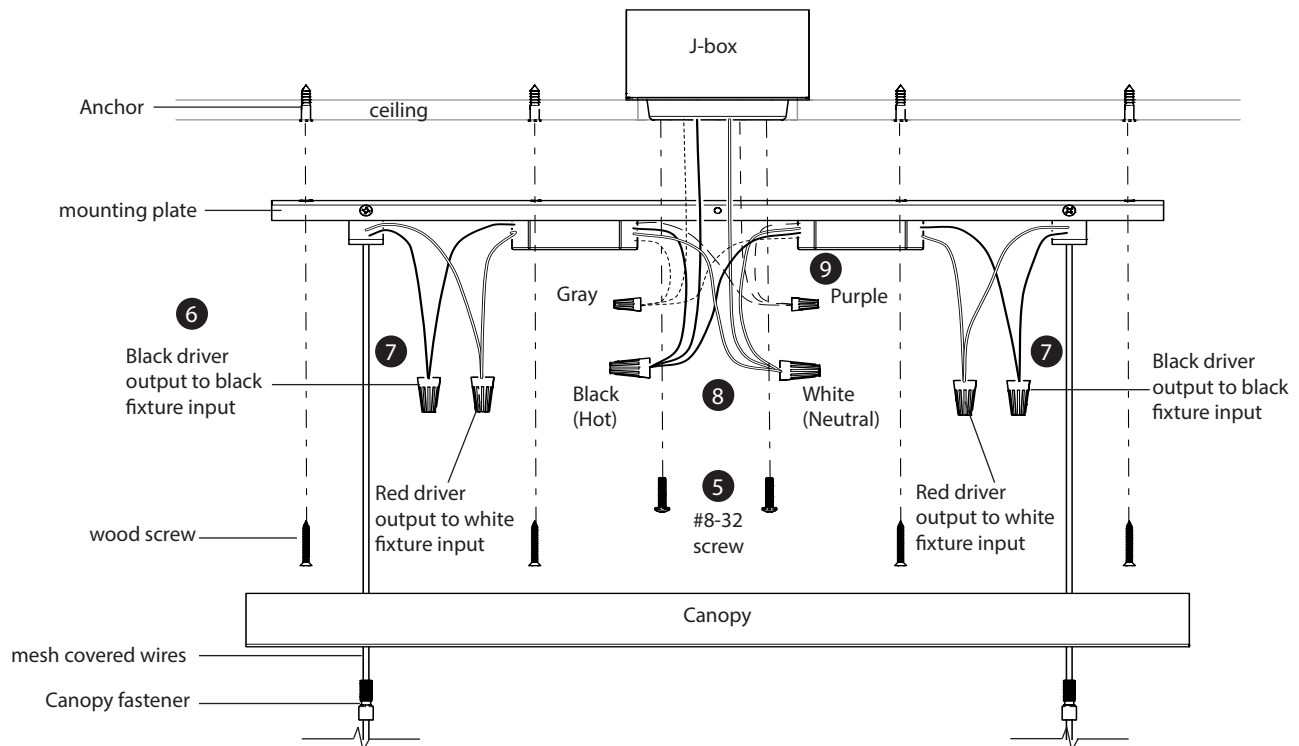
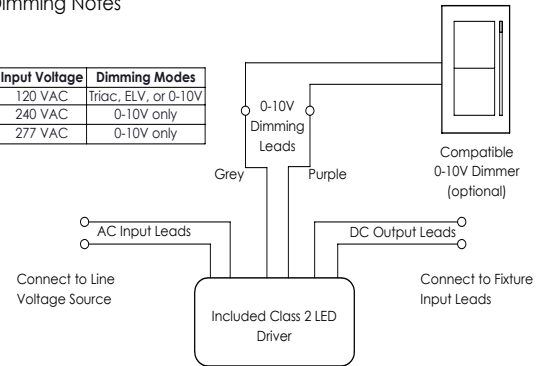
**CRITICAL NOTE:** If 0-10V dimming is not being used, the tinned ends of the purple and grey LED Driver leads should be snipped off and these leads should be capped individually such that they remain isolated from one another.

### WARNING

The included anchors are supplied only as a convenience. It is the responsibility of the installer to verify that the installation conditions and hardware used are suitable for supporting the load of the fixture.

### Dimming Notes

Input Voltage	Dimming Modes
120 VAC	Triac, ELV, or 0-10V
240 VAC	0-10V only
277 VAC	0-10V only



### Securing the Canopy Cover

- 10 Make final adjustments to Strain Relief Tabs to set fixture level.
- 11 Slide the Canopy Cover up the Suspension Cables until it is flush against the ceiling. Secure in place by sliding the Canopy Fasteners up the Suspension Cables and screwing into the Crossbars.

