

Fons Floor Lamp

Assembly Instructions

cerno®

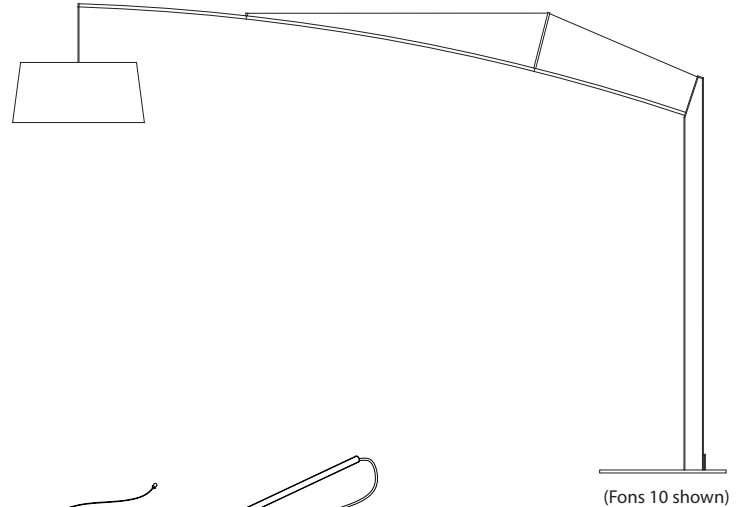
General Product information

This product is suitable for indoor dry and damp locations only.
This product can be dimmed with most standard dimmers.

IMPORTANT SAFETY INSTRUCTIONS

This portable luminaire has a polarized plug (one blade is wider than the other) as a feature to reduce the risk of electric shock. This plug will fit in a polarized outlet only one way.

If the plug does not fit fully in the outlet, reverse the plug. If it still does not fit, contact a qualified electrician. Never use with an extension cord unless plug can be fully inserted. Do not alter the plug.



Arm Assembly

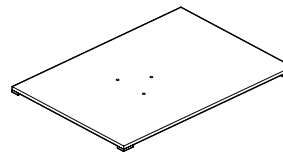
*Fons 8 has shorter tip piece



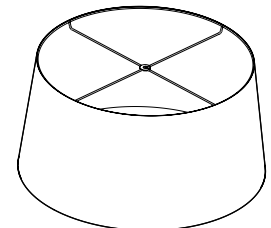
Screws



Light Bulb

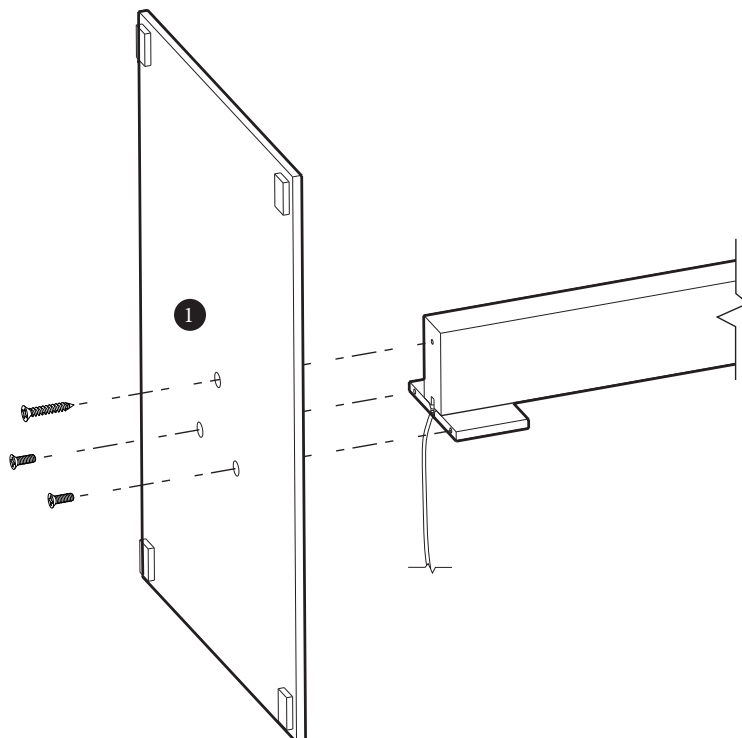


Base



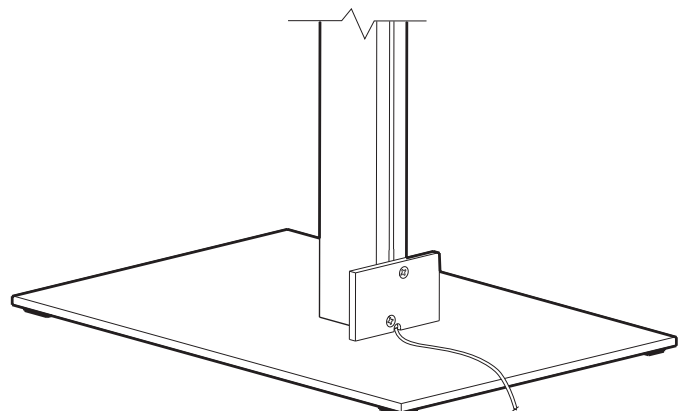
Shade

Items included



Align holes

- 1 Drive wood and machine screws to secure the wood body to the base. Cord must exit through cutout in metal plate at bottom of wood mast to avoid being pinched.

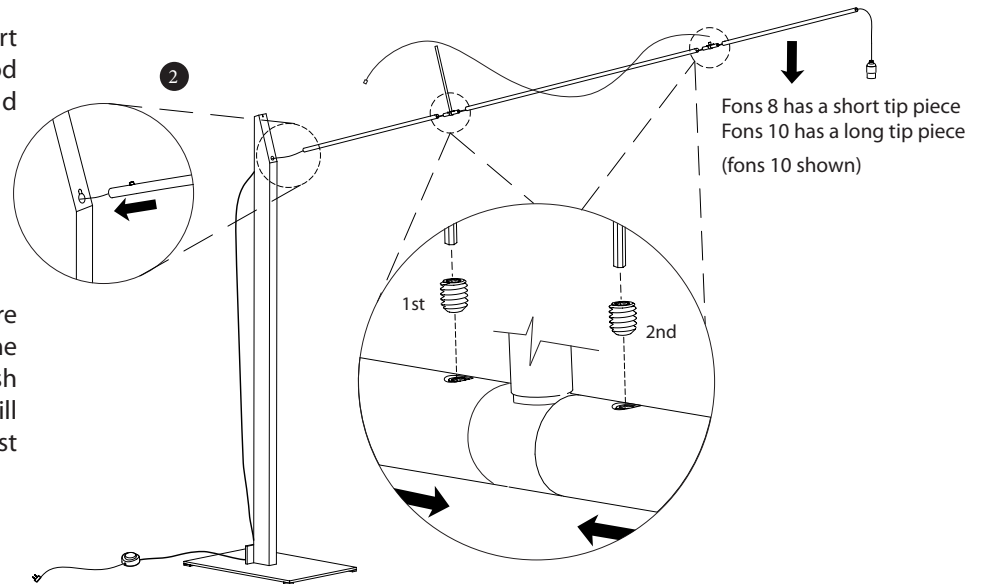


Fons Floor Lamp

Assembly Instructions

cerno®

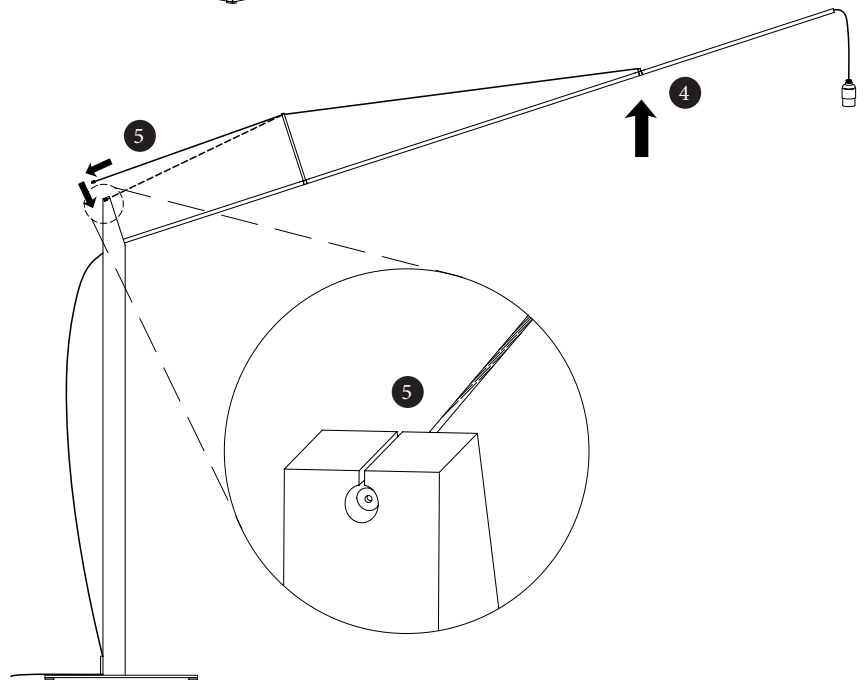
- 2 Raise tube necklace assembly and insert the first tube segment into the wood body until fully seated. The screw should be aligned and engaged in the slot.



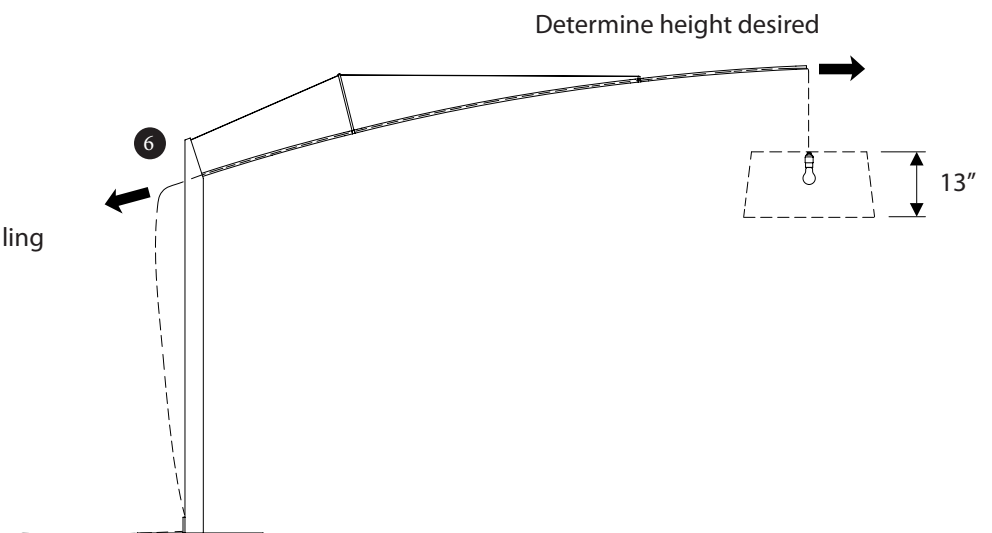
- 3 Press the segments onto coupler. Secure by fastening set screws as shown to the left. Tighten only until set screws are flush with the outside of the segments. You will do this at 2 locations; closer to the mast first, then the one closer to the socket.

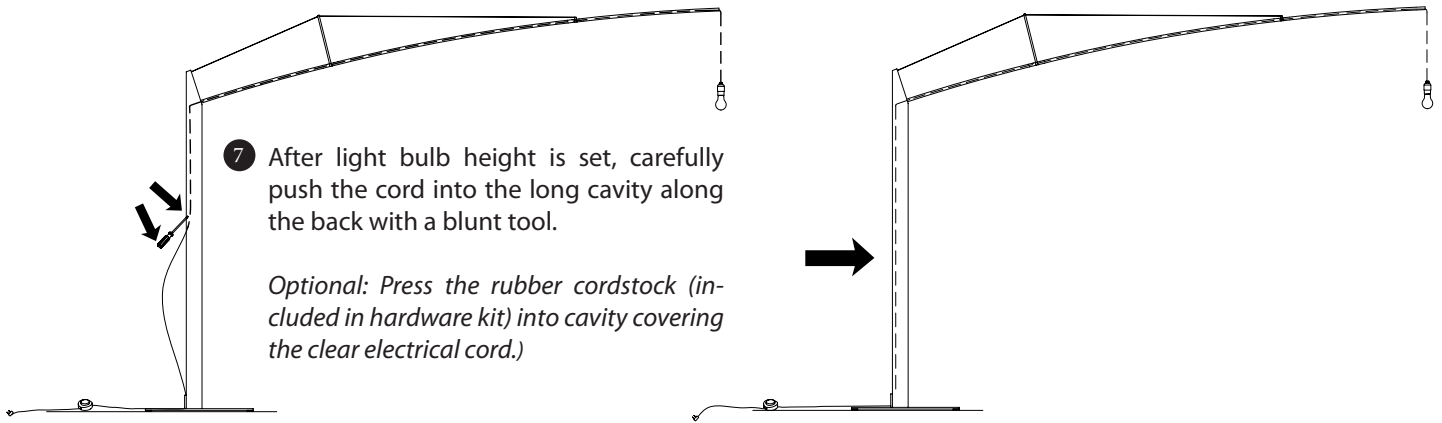
- 4 Push the end of the boom up to give slack to the cable.

- 5 Pull cable and insert into the thin slot on top of the wood body. The plug on the end of the cable should seat fully into the hole.

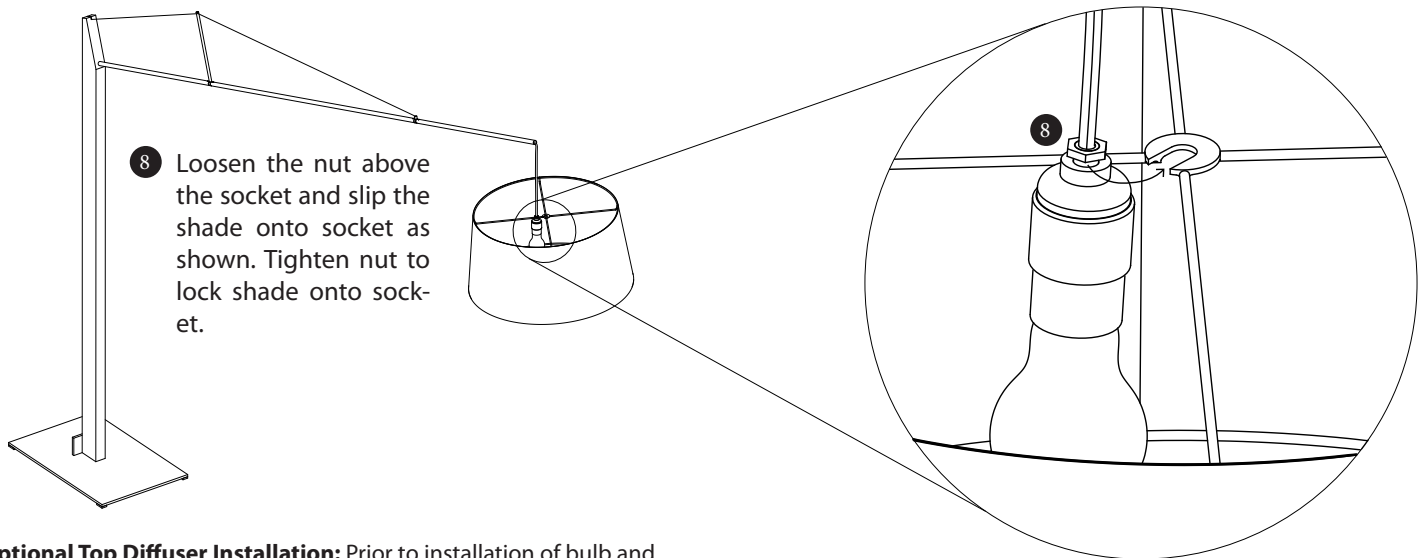


- 6 Set height of lamp shade/light by pulling or giving slack to power cord.





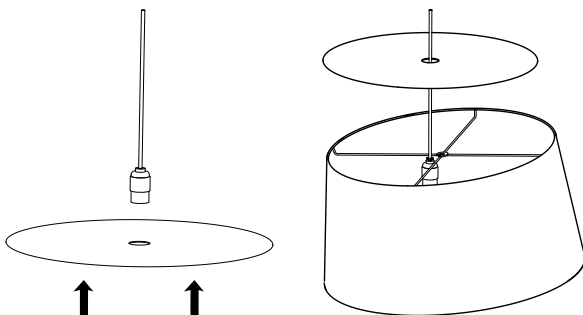
(Stretching the rubber cord can make it easier to press into the cavity, but will effect its overall length. Excess rubber cord can be trimmed easily with scissors.)



Optional Top Diffuser Installation: Prior to installation of bulb and lower diffuser.

Note! Top Diffuser is included by custom request only. If your fixture did not include a top diffuser, please skip this section.

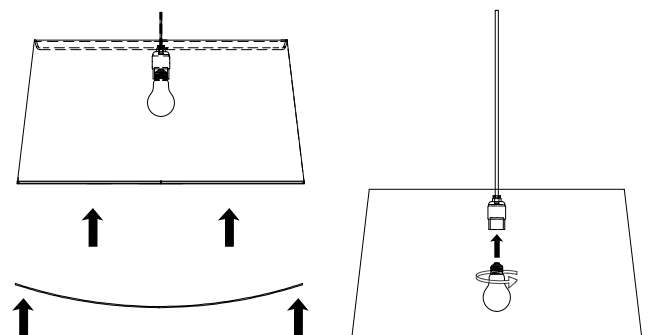
Feed the socket through the hole in top diffuser, align socket with shade spider and place socket into slot located at the center of the shade spider. With the shade spider in position tighten the nut on the top end of the socket to hold the shade in place. Lower the top diffuser down onto the shade spider.



Following shade and top diffuser installation, install light bulb into socket.

Optional Lower Diffuser Installation.

To install lower diffuser, carefully bend lower diffuser, slip into the bottom of the shade, and release. The diffuser should rest flat on top of the lower shade ring.



NOTE: To remove lower diffuser, gently lift up one edge of the lower diffuser and carefully bend the diffuser until it can be removed from the bottom of the shade assembly.

Care, Maintenance instructions

Regularly maintaining your Cerno® product is easy and will help keep it looking beautiful. Scratches can be buffed out in minutes. Wood surfaces will be revitalized with minimal effort every few years. The LED light source is rated to last 50,000 hours, and should last the life of the product.

Your fixture includes materials listed below. Please use these tips to keep your product looking its best.

Oiled Walnut: Wood surfaces should be dusted and cleaned with a damp cloth. Every 1 - 3 years, re-oil and wax wood surfaces to maintain the rich wood sheen. Remember to wipe with the wood grain, and remove any excess oil or wax when finished.

Brushed Aluminum: Everyday cleaning of metal surfaces can be done with a damp cloth. Repair: To remove scratches from brushed aluminum, use Scotch-Brite (Gray or Maroon) to buff the scratched area. In a pinch, you can use the rough side of your kitchen sponge.

Polymer: To clean polymer surfaces, use a damp cloth with soap and water or typical cleaners. Avoid heavy-duty cleaners (i.e. anything solvent-based), as they can damage the material. Repair: Scratches can be buffed out of polymer surfaces using 200 - 300 grit sandpaper.

Cerno's mission since the company's inception has been to fuse quality, performance and resource efficiency with contemporary design.

Producing environmentally responsible products involves far more details than merely guaranteeing your products energy efficient performance and maintaining eco conscious manufacturing practices. We live in a consumer age characterized by excess and waste, where nearly everything we possess is viewed as disposable, from the cars we drive to the bottle of water you are drinking right now. At Cerno we aim to provide our customers an opportunity to purchase objects of value to enhance their built environment. We construct our products with integrity that will pass the test of time with the goal of evading a premature trip to the local landfill. All the products are assembled by human hands and endure rigorous testing to assure that our exceptionally high standards of quality are always satisfied.

Warranty

In addition to our two year product defect warranty, Cerno offers a repair service for the life of your product. Every Cerno product is designed and manufactured in the United States which facilitates excellent quality control and easy access to our engineers and service technicians. At Cerno we pride ourselves on delivering products executed with an unparalleled level of craftsmanship. For any reason should our customers have an issue with their orders upon delivery we will repair or replace the item.

In addition to our warranty and quality guarantees, Cerno welcomes customer feedback so please e-mail all comments to info@cernogroup.com