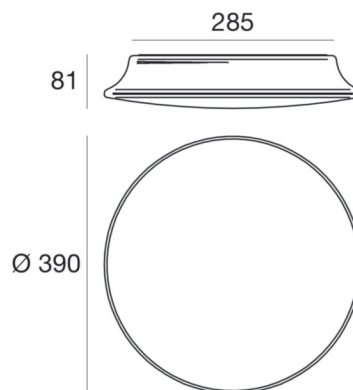




Ceiling Lights | 220-240 V
72 topLED 16 W DC - 16 W AC | CRI 85
7806



Technical data	
Construction year	2015
Type	Surface
Installation position	Wall lights - Ceiling
Installation environment	Indoor - Outdoor
Light Source	LED
Optics	General Lighting
Light emission direction	frontal
Power	16 W
Source lumens	1662 lm
Frequency	50 - 60 Hz
CCT / Tone	3000 K
Colour rendering index	85 Ra
C.C. / C.V.	AC
Safety class	2
IP	IP65
IK	IK10
Glow wire test	650°
Direct mounting on normally flammable surfaces	Yes
CE	Yes
Driver included	Driver
Dimmable article	No
Directional	No
Tilting	No
Walk-over	No
Drive-over	No
Cable included	No
Resin potting	No
Type of light emission	Double emission
Net weight	1.775 Kg
Electrostatic discharge protection	No
Surge protection	No

Finishing diffuser	
Material	PE
Colour	neutral

Finishing mounting frame	
Material	PC
Colour	white



Ceiling Lights | 220-240 V | 72 topLED 16 W DC - 16 W AC | CRI 85 | Base 7806

Double emission ceiling lights for indoor or outdoor application. The warm white LED light source with a general lighting light distribution is composed of 72 topLEDs with CCT of 3000 K and a CRI 85; the source luminous flux is 1662 lm, with a 103.9 lm/W nominal luminous efficacy.

The diffuser is made of pe; the mounting frame is made of PC, with a white finish. The ingress protection degree is IP65; the total weight is of 1.775 kg.

The total absorbed power is 16 W.

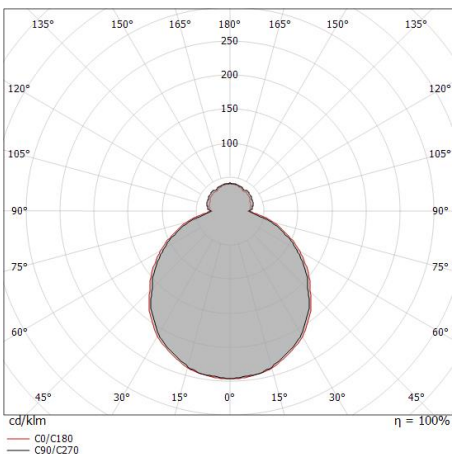
The device features protection class II and can be wall lights or ceiling-mounted.

Compliant with the EN 60598-1 standard and its specific provisions.

Illuminotechnical Features	
Light Output Ratio (LOR)	69 %
Source lumens	1662 lm
Delivered lumens	1150 lm
Consumption	16 W
Luminaire efficacy	71 lm/W
Colour temperature	3000 K
Standard Deviation of Colour Matching	3 Step MacAdam
Colour rendering index	85 Ra
Junction temperature (lighting fixture)	80
Standard Operating Ambient Temperature	25
LED Life / Failure Ratio	
L70 B20 C0 72.5h	

UGR	
UGR axial	< 16
UGR transversal	< 16
X=4H Y=8H	S=0.25H
Reflection factor	70/50/20

OPTICAL	
Light distribution simmetry	Symmetrical
C0/C180 optics	114°



Distance [m]	Cone diameter [m]	E(0°)	E(C90)	E(C0)
0.5	1.54 1.64	1134	92	80
1.0	3.08 3.29	283	23	20
1.5	4.62 4.93	126	10	9
2.0	6.16 6.58	71	6	5
2.5	7.70 8.22	45	4	3
3.0	9.24 9.87	31	3	2

Distance [m] Cone diameter [m] Illuminance [lx]

— C0/C180 (Half-peak divergence: 117.4°)
— C90/C270 (Half-peak divergence: 114.0°)