

MITER TL25517

LAMPS

PROJECT



TL25517-BG
Brushed Gold



TL25517-BK
Black



TL25517-BN
Brushed Nickel



TL25517-WH
White

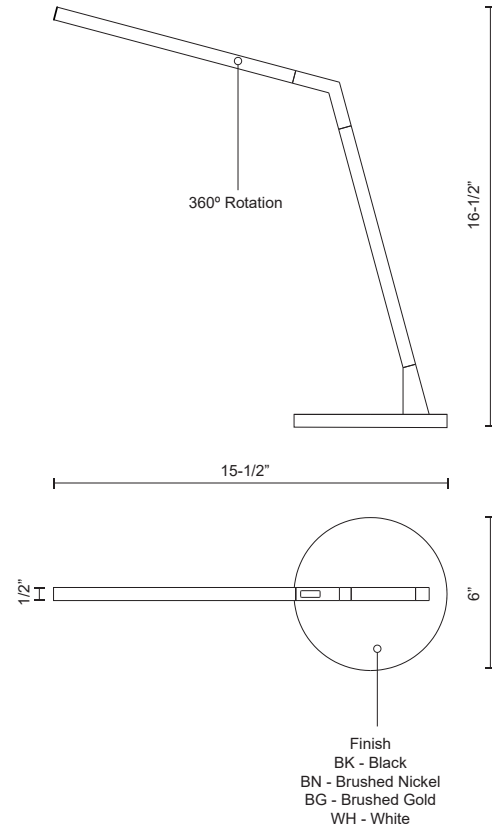
SPECIFICATION DETAILS

* For custom options, consult factory for details.

Fixture Dimensions	L15-1/2" x W6" x H16-1/2"
Light Source	LED with DC Driver
Wattage	14W
Total Lumens	1080lm
Delivered Lumens	BK-296lm*; BN-522lm; WH-532lm;
Voltage	120V
Color Temperature	3000K
CRI (Ra)	90CRI
Optional Color Temps	2700K - 5000K Available, Minimum Order Quantities Apply
LED Rated Life	50,000 hours
Dimming	100% - 10%, Touch dimmer
Diffuser Details	White Acrylic Diffuser
Location	Dry
Warranty	5 Years

DESCRIPTION

A thin angular line forms the gesture synonymous with the MITER floor and table lamp series. Employed within the top arm of the diminutive square profile is a linear LED source capped by an inset opal diffuser providing uniform soft illumination. The precisely machined aluminum body conceals further functionality with simple power connectors to enable easy assembly and added rotational adjustment. A handsome circular dimmer adorns the structure. Available in multiple finishes.



KUZCO

19054 28TH AVENUE
SURREY - BC V3Z 6M3
CANADA

WWW.KUZCOLIGHTING.COM

COMMENT

