

CROFT
FM44614
FLUSH MOUNT

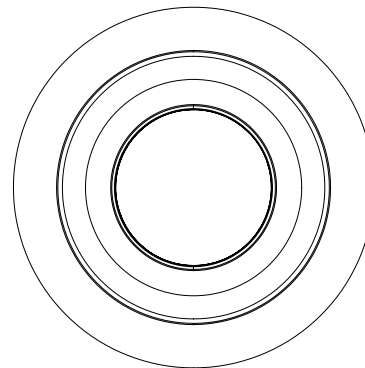
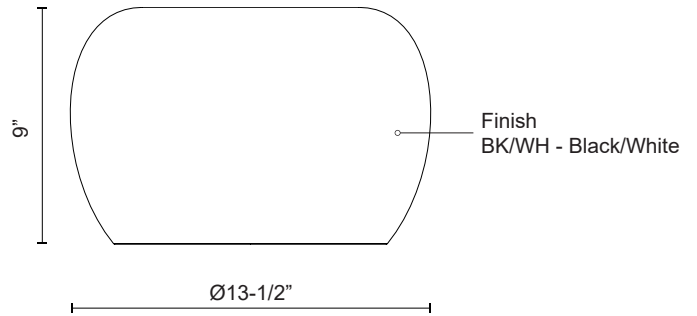
PROJECT



FM44614-BK/WH
Black/White

DESCRIPTION

The Croft is inspired by the fluid form of pottery. With a forged metal body and ample illumination, this collection is the perfect addition to any size space. Available in a trendy duo-toned Matte Black (outside) and White (inside).



SPECIFICATION DETAILS

* For custom options, consult factory for details.

Fixture Dimensions	D13-1/2" x H9"
Wattage	16W
Total Lumens	1280lm
Light Source	AC LED Module
Delivered Lumens	650lm
Voltage	120V
Color Temperature	3000K
CRI (Ra)	90CRI
Optional Color Temps	2700K - 5000K Available, Minimum Order Quantities Apply
LED Rated Life	50,000 hours
Dimming	100% - 10%, ELV Dimmer (Not Included)
Diffuser Details	Acrylic diffuser
Location	Dry
Warranty	5 Years

KUZCO

19054 28TH AVENUE
SURREY - BC V3Z 6M3
CANADA

WWW.KUZCOLIGHTING.COM

COMMENT

