

CUMULUS MINOR PD80332

PENDANTS

PROJECT



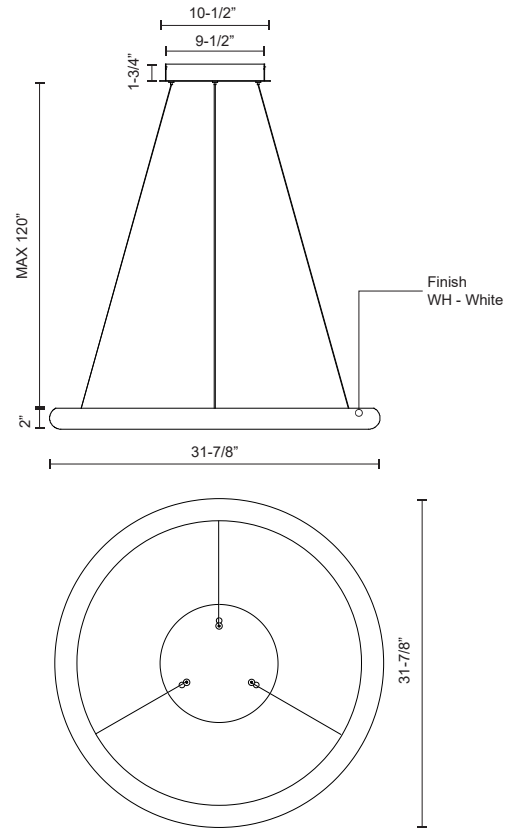
DESCRIPTION

An illuminated circumference of bright uniform light the Cumulus Minor is devoid of extraneous detail appearing as a single endless loop. The miniscule ovoid profile of the polymeric ring condenses the lamp assembly into a compact yet airy visual footprint, a reduced scale from the substantial Cumulus pendant series. Available in multiple sizes.

SPECIFICATION DETAILS

* For custom options, consult factory for details.

Fixture Dimensions	D31-7/8" x H2"
Light Source	LED with DC Driver
Wattage	65W
Total Lumens	4760lm
Delivered Lumens	WH-2930lm
Voltage	120V
Color Temperature	3000K
CRI (Ra)	90CRI
Optional Color Temps	2700K - 5000K Available, Minimum Order Quantities Apply
LED Rated Life	50,000 hours
Dimming	100% - 10%, TRIAC or ELV Dimmer (Not Included)
Diffuser Details	White Acrylic Diffuser
Adjustable	Yes
Wire Length	120" Max
Wire Type	Clear Coaxial Wire
Location	Dry
Warranty	5 Years
Canopy Dimensions	D10-1/2" x H1-3/4"
Finish Option(s)	White



KUZCO

19054 28TH AVENUE
SURREY - BC V3Z 6M3
CANADA

WWW.KUZCOLIGHTING.COM

COMMENT

