

Swap Pro

NEW



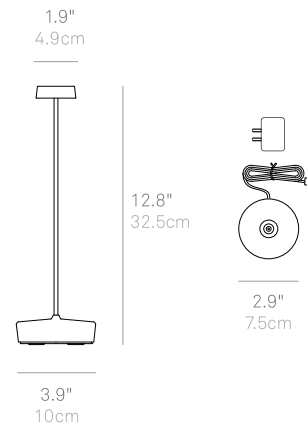
This simple rechargeable lamp can be used as shown or accessorized with decorative glass, ceramic, or fabric shades which are sold separately and featured on pages 104-107. Features touch-dimming control at 2700K (warm light). The integrated LED module is designed and engineered to produce controlled downlight.

TECHNICAL DATA

LED 2.2W • 267lm DIMMABLE
2700K • CRI>90
100-240V • 50-60Hz • 5Vdc max 1A
IP65 Rated (Salt Spray Tested 500 hours)



Rechargeable and replaceable Lithium Ion battery pack
Contact charging base
Battery lasts about 13 hours at full charge
Charging time approximately 6 hours
Powder-coated die-cast aluminum components
Polycarbonate light diffuser
Suitable for indoor or outdoor use



ACCESSORIES INCLUDED

Contact charging base
120V AC Adapter Plug



LD1010B3
White



LD1010R3
Rust



LD1010N3
Black

