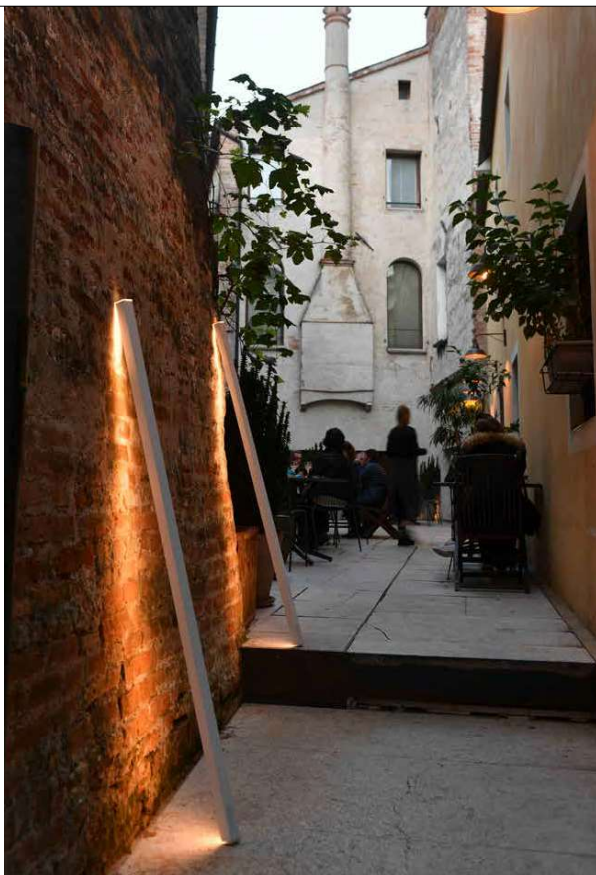


Pencil Lighting Module

NEW



A battery-operated and rechargeable portable lighting system based on a five-sided linear module. Available in three sizes and three finishes. Pencil can become a floor, table, wall, or suspension lamp utilizing dedicated accessories available for each specific application. Equipped with an electronic control system that ensures constant luminous output until the battery runs out, 4-stem touch-dimming control, and a 3-CCT color temperature selection function: 2700K (warm white), 3150K, (cool white), or 4000K (bright white).

TECHNICAL DATA

Small

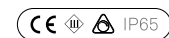
LED • 6W • 530-590-680lm • Dimmable
3-CCT (2700K/3150K/4000K) • CRI>90
100-240V • 50-60Hz • 19Vdc max 2.5A

Medium

LED • 12W • 1050-1180-1350lm • Dimmable
3-CCT (2700K/3150K/4000K) • CRI>90
100-240V • 50-60Hz • 19Vdc max 2.5A

Large

LED • 18W • 1340-1500-1700lm • Dimmable
3-CCT (2700K/3150K/4000K) • CRI>90
100-240V • 50-60Hz • 19Vdc max 2.5A



Rechargeable and replaceable Lithium Ion battery pack
Battery lasts 8-58 hours, depending on the luminous flux setting

Rechargeable with a charging plug & cable or by contact (when used with the LD0810 charging base)

Recharging times: 6hrs/9hrs/12hrs (for small/medium/large size respectively)

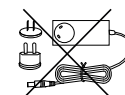
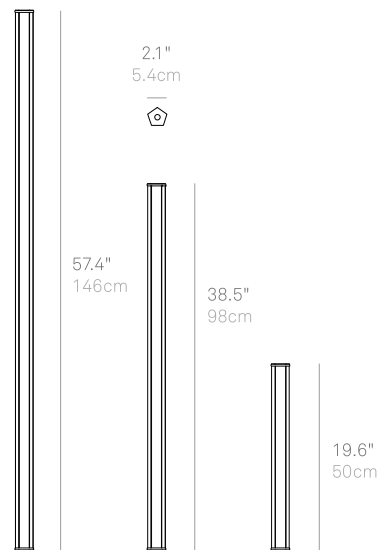
Powder-coated extruded aluminum

Suitable for indoor or outdoor use

Impact resistant (IK07) and salt spray resistant (1500 hours)

With accessories, the lighting module can become a floor, table, wall and pendant lamp

Charger (LD0800CS) must be purchased separately



Charging plug and cable not included

NEW



White



Rust



Graphite

<u>Small</u>	LD0800B3	LD0800R3	LD0800G3
<u>Medium</u>	LD0801B3	LD0801R3	LD0801G3
<u>Large</u>	LD0802B3	LD0802R3	LD0802G3

ACCESSORIES



LD0800CS
Charging plug and cable



LD0813
Horizontal wall module brackets



LD0810
Docking and charging station



LD0815
Vertical wall module bracket



LD0816
Rotating docking station
Non-charging



LD0812
Vertical suspension bracket



LD081400
Table bases



LD0811
Horizontal suspension brackets

