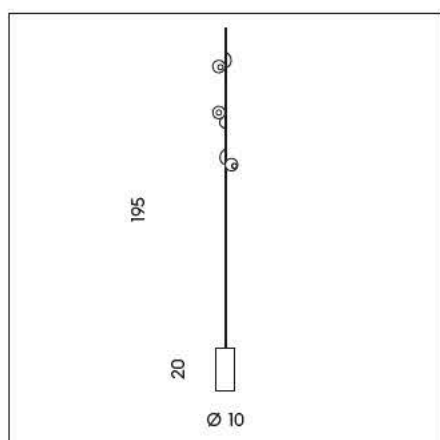
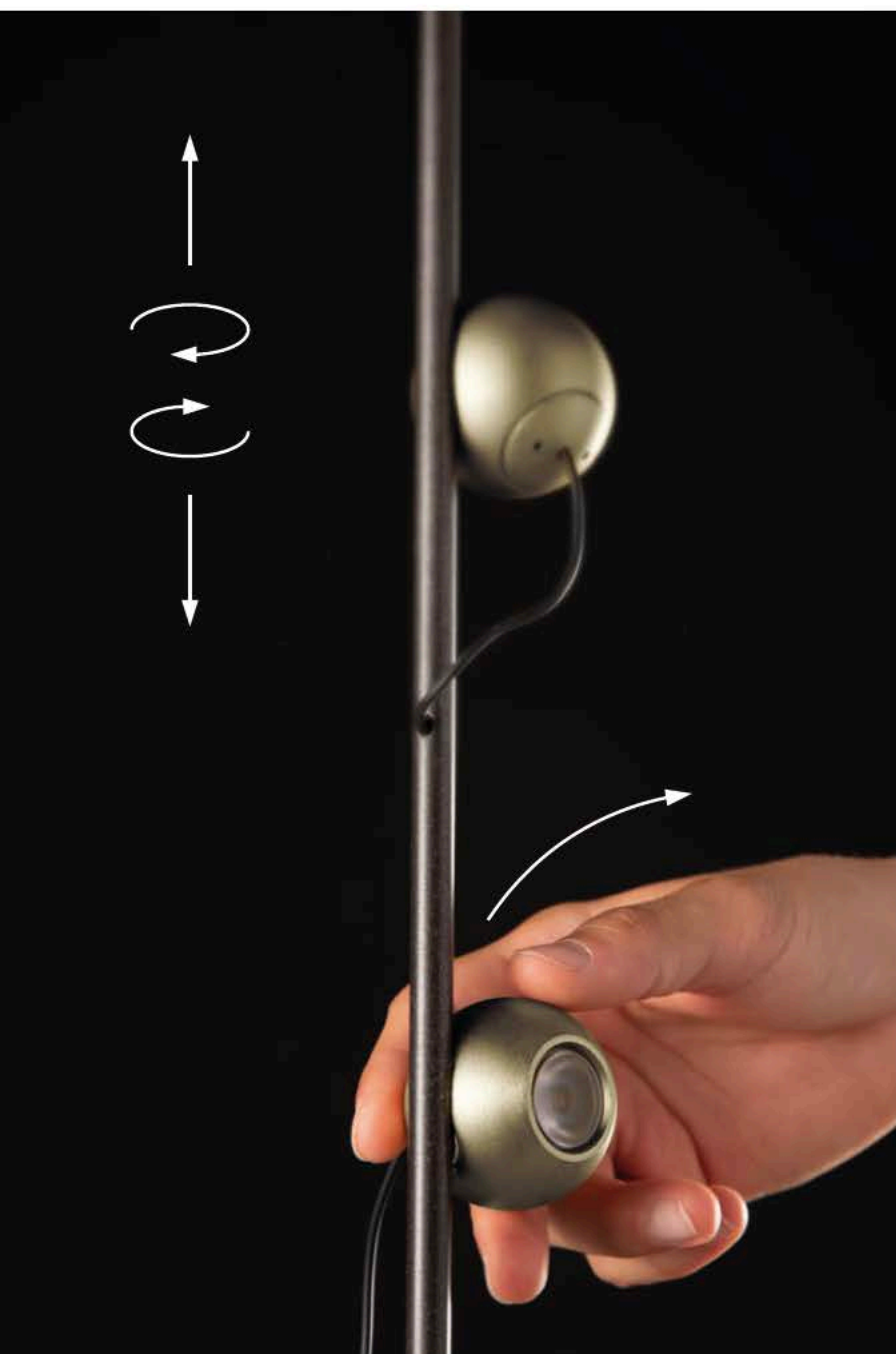
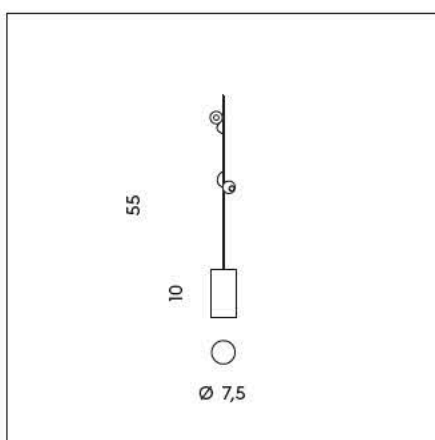


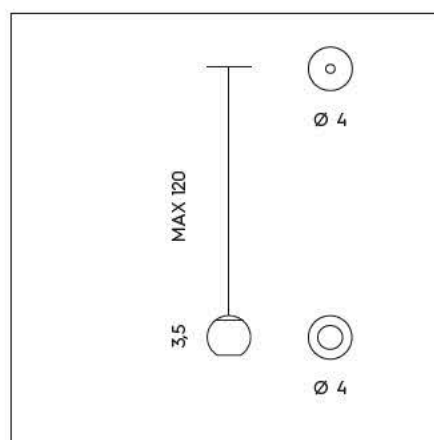
SFERA LED DIREZIONALE CON AGGANCIAMENTO MAGNETICO.
DIRECTIONAL LED SPHERE WITH MAGNETIC FIXING.



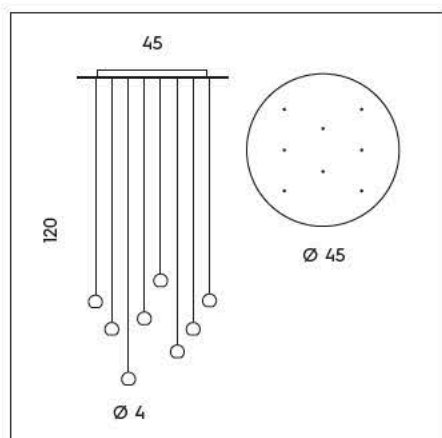
PI 3/334
3 x 3W LED
3000K - 930 lumen
CE IP20



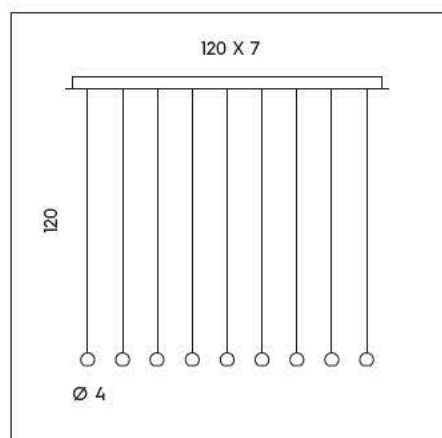
LT 1/334
2 x 3W LED
3000K - 620 lumen
CE IP20



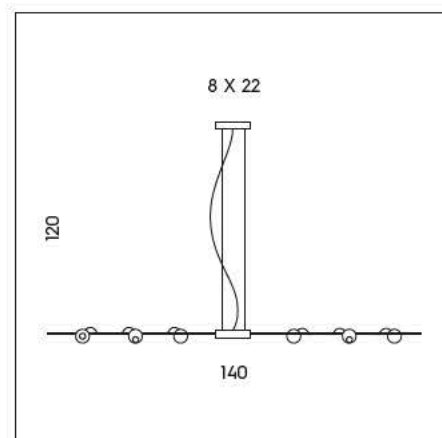
SP 7/334
1 x 3W LED
3000K - 310 lumen
CE IP20



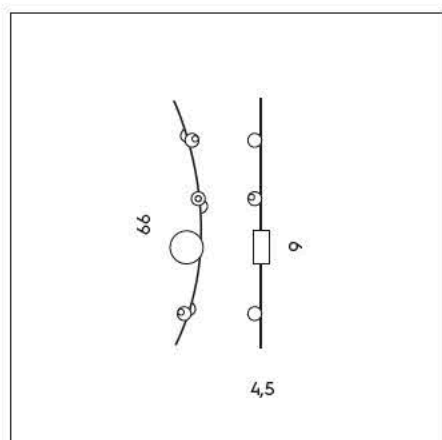
SP H/334
 8 x 3W LED
 3000K - 2480 lumen
 CE IP20



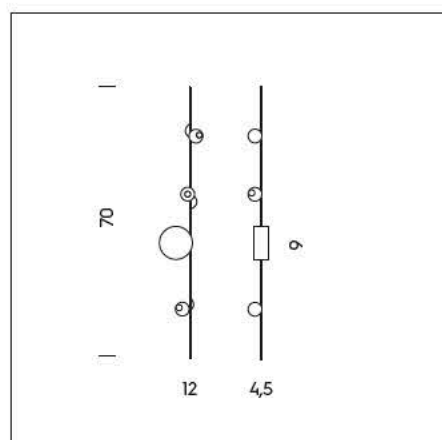
SP S/334
 9 x 3W LED
 3000K - 2790 lumen
 CE IP20



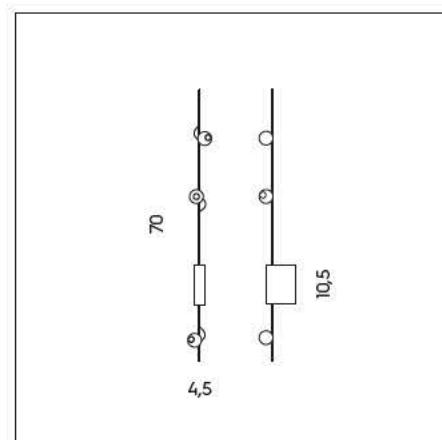
SP 8/334
 6 x 3W LED
 3000K - 1860 lumen
 CE IP20



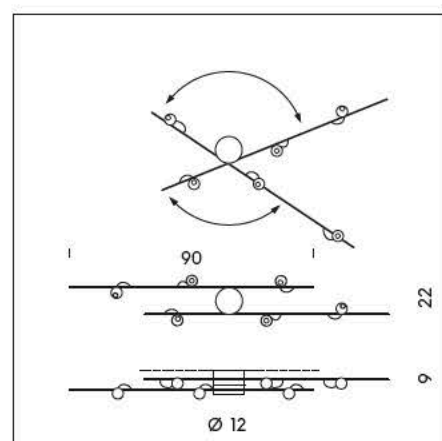
LP 6/334 A
 3 x 3W LED
 3000K - 930 lumen
 CE IP20



LP 6/334 B
 3 x 3W LED
 3000K - 930 lumen
 CE IP20



LP 6/334 C
 3 x 3W LED
 3000K - 930 lumen
 CE IP20



LS 4/334
 6 x 3W LED
 3000K - 1860 lumen
 CE IP20

