

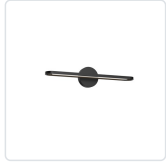
# MARLON VL63724

VANITY

PROJECT

## DESCRIPTION

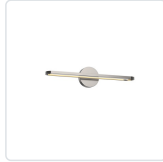
With a lightweight frame and geometric influence, the Marlon Collection is an instant classic vanity collection. Designed with ample lighting in mind, the Marlon Collection is as functional as it is beautiful. Available in Black, Brushed Nickel and Chrome finishes.



VL63724-BK  
Black



VL63724-CH  
Chrome

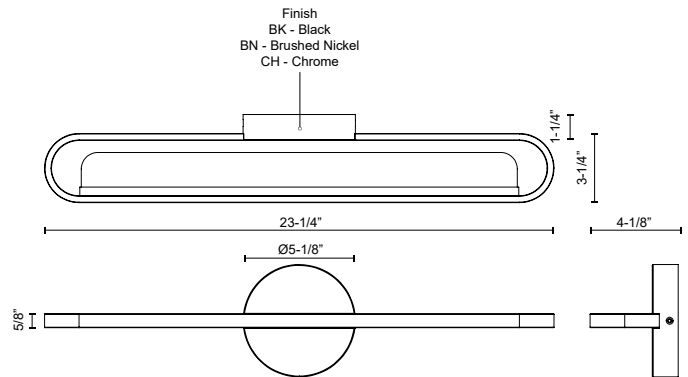


VL63724-BN  
Brushed Nickel

## SPECIFICATION DETAILS

\* For custom options, consult factory for details.

<b>Fixture Dimensions</b>	W23-1/4" x H5/8" x E3-1/4"
<b>Light Source</b>	LED with DC Driver
<b>Wattage</b>	22W
<b>Total Lumens</b>	1270lm
<b>Delivered Lumens</b>	BK-835lm
<b>Voltage</b>	120V
<b>Color Temperature</b>	3000K
<b>CRI (Ra)</b>	90CRI
<b>Optional Color Temps</b>	2700K - 5000K Available, Minimum Order Quantities Apply
<b>LED Rated Life</b>	50,000 hours
<b>Dimming</b>	100% - 10%, TRIAC or ELV Dimmer (Not Included)
<b>Diffuser Details</b>	Acrylic Light Guide
<b>ADA Compliant</b>	Yes
<b>Compliance</b>	Energy Star; T24-JA8; ADA;
<b>Location</b>	Damp
<b>Warranty</b>	5 Years
<b>Illumination Direction</b>	Up and Down
<b>Mounting Style</b>	All Orientation; Wall;
<b>CEC Title 24 JA8</b>	Yes, JA8-19
<b>Energy Star Certified</b>	Energy Star Compliant
<b>Canopy Dimensions</b>	D5-1/8" x E1-1/4"



# KUZCO

19054 28TH AVENUE  
SURREY - BC V3Z 6M3  
CANADA

WWW.KUZCOLIGHTING.COM

COMMENT