

cerno®



DESIGNED AND MADE IN CALIFORNIA

Volo Pendant



noir
black ext., brass int., brass accents, black leather, dark stained walnut disc



blanc
white ext. & int., brass accents, tan leather, white washed oak disc



cava
white ext., brushed brass int., brass accents, brown leather, walnut disc



deux
black ext., white int., black accents, brown leather, walnut disc

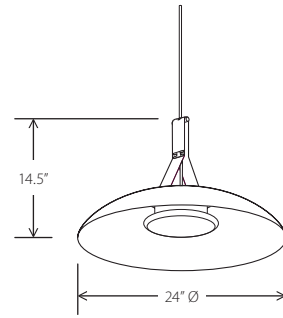


noir detail



deux detail

Volo pendant



Dimensions: 24" dia., 14.5"
 Product weight: 7 lb
 Light source: integrated LED
 Light output: 2625 Lumens (source)
 Output based on white shade interior
 Alternate finishes will reduce lumen output
 Light color: 2700 K, 3000 K, 3500 K, or 4000 K
 Color accuracy: 90+ CRI
 Power usage: 27 W
 Dimmable (see power options below)
 Wood grain will vary
 Specifications subject to change



Volo pendant part # 06-300-

Finish Options

- noir
- blanc
- cava
- deux

N
B
C
D

Lamping

- 2700 K LED
- 3000 K LED
- 3500 K LED
- 4000 K LED

27
30
35
40

Power option

AC Input Voltage Range: 120-277 V
 120 V input: TRIAC, ELV & 0-10 V dimmable
 240 & 277 V input: only 0-10 V dimmable

P1

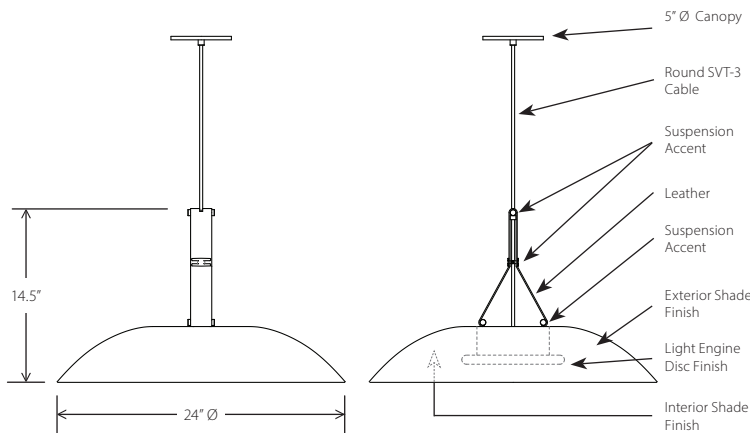
For expanded offering see Specification Sheet.



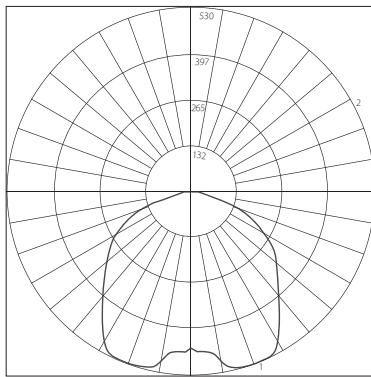
6' tall person

The handcrafted Volo pendant is a celebration of natural materials. The solid hardwood, brass finish, leather, and aluminum showcase the purposeful design that went into each detail. The indirect LED light source emits light of beautiful quality.

▲WARNING. California Proposition 65 Warning for California Consumers. This product can expose you to chemicals including wood dust and lead which are known to the State of California to cause cancer or birth defects or other reproductive harm. For more information go to www.P65Warnings.ca.gov



PHOTOMETRIC POLAR GRAPH



Maximum Candela = 530
 Located at
 Horizontal Angle = 0,
 Vertical Angle = 24

TECHNICAL SPECIFICATIONS

- Light source: integrated LED
- Light output: 2625 Lumens (source)
- Output based on white shade interior
- Alternate finishes will reduce lumen output
- Light color: 2700 K, 3000 K, 3500 K, or 4000 K
- Color accuracy: 90+ CRI
- Input Voltage: 120-277 V AC
- Power usage: 27 W
- Dimmability: TRIAC, ELV & 0-10 V dimming
- Low profile round canopy with SVT-3 Cable
- Canopy dimensions: 5" Ø, 0.3"
- See website for more canopy information
- Field adjustable drop length: 0'6" min - 8'0" max
- White canopy and cord for fixtures with white shade exterior
- Black canopy and cord for all other finishes
- Suitable for a slopped ceiling up to 45 degrees
- Specifications subject to change



Standard combinations on the previous page are stocked. Fixture specified by using the SKU builder below are subject to increased lead times and minimum order quantities.

Volo pendant part # 06-300-

Exterior Shade Finish

- textured black powder coat (CM-049)
- textured white powder coat (CM-060)
- brushed brass (CM-120)
- distressed brass (CM-117)

Interior Shade Finish

- textured white powder coat (CM-060)
- brushed brass (CM-120)
- distressed brass (CM-117)

Suspension Accent Finish

- textured black powder coat (CM-049)
- textured white powder coat (CM-060)
- brushed brass (CM-120)

Leather Finish

- brown leather (CM-098)
- black leather (CM-127)
- tan leather (CM-128)

Light Engine Disc Finish

- walnut (CM-001)
- dark stained walnut (CM-002)
- white washed oak (CM-095)

Lamping

- 2700 K LED
- 3000 K LED
- 3500 K LED
- 4000 K LED

Power Option

- AC Input Voltage Range: 120-277 V
- 120 V input: TRIAC, ELV & 0-10 V dimmable
- 240 & 277 V input: only 0-10 V dimmable

B	
W	
R	
D	
W	
R	
D	
B	
W	
R	
R	
B	
T	
W	
D	
O	
27	
30	
35	
40	
P1	

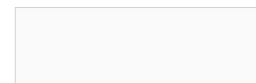
FINISHES



textured black powder coat (CM-049)



brushed brass (CM-120)



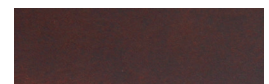
textured white powder coat (CM-060)



distressed brass (CM-117)



black leather (CM-127)



brown leather (CM-098)



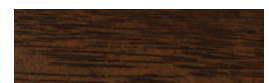
tan leather (CM-128)



walnut (CM-001)



white washed oak (CM-095)



dark stained walnut (CM-002)

WARNING. California Proposition 65 Warning for California Consumers. This product can expose you to chemicals including wood dust and lead which are known to the State of California to cause cancer or birth defects or other reproductive harm. For more information go to www.P65Warnings.ca.gov