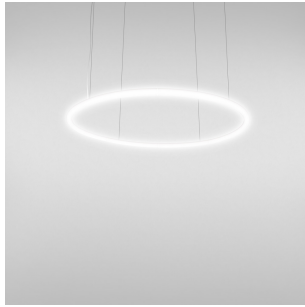


# Alphabet Of Light Circular 155 suspension

## SPECIFICATIONS

1207008A



### Design By

BJARKE INGELS GROUP

### Collection

Architectural



### Specifications

Delivered lumens	12667lm
Light output ratio	115.2lm/W
Power consumption	98W
Led type	84.5W Array*
CCT (Correlated Color Temperature)	3000K
CRI (Color Rendering Index)	>80
Life expectancy	50000Hrs
Control type	Dimmable 2-Wire / Dimmable 0-10V**
Input Voltage	120-277V
Driver	EFORE - 2 x RCL050-1200A

\*\*2-wire only dimmable at 120V

### Colors & Finishes

- White (Diffuser & Canopy)
- Grey (Body)

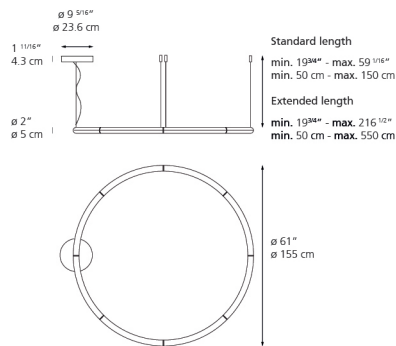
### Materials

- Illuminated tubes in opaque injection molded PMMA resin
- 8 modules assembled
- 360° light emission
- Aluminum frame suspended by steel cables

### Features & Accessories

- Suitable for damp locations
- Driver is compatible to both 2-wire dimming and 0-10V dimming options

### Dimensions



### Packaging

1 Box

1 x 69" x 69" x 7" / 27.56 lbs - 175 cm x 175 cm x 17.5 cm / 12.5 kg

### Light distribution

Direct/Indirect

### Luminaire weight

18.74 lbs / 8.5 kg

### Warranty