

# Calipso Linear 180 suspension 3000K white

## SPECIFICATIONS

0224018A



### Design By

Neil Poulton

### Collection

Architectural



### Specifications

Delivered lumens	4477lm
Light output ratio	68.9lm/W
Power consumption	65W
Led type	58W Array*
CCT (Correlated Color Temperature)	3000K
CRI (Color Rendering Index)	>90
Life expectancy	50000Hrs
Control type	Dimmable 0-10V
Input Voltage	120-277V
Driver	ADVANCE - 1 x XI075C200V054BST1

### Colors & Finishes

White

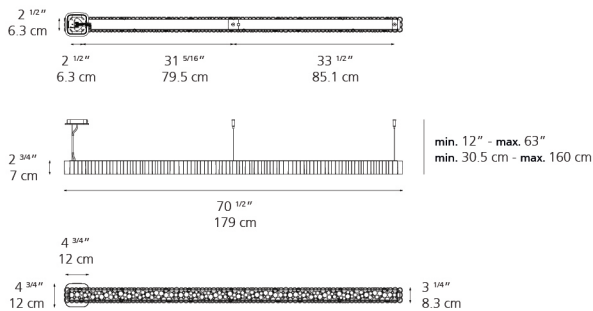
### Materials

- Fractal shape of an impure geometry
- Direct diffused light output
- Louver in ASA (Acrylonitrile Styrene Acrylate)

### Features & Accessories

- The fractal shape of the small circles works as an optical grid

### Dimensions



### Packaging

1 Box

1 x 74-7/8" x 6-3/8" x 11-5/16" / 15.34 lbs - 190 cm x 16 cm x 28.5 cm / 6.96 kg

### Light distribution

Direct

### Luminaire weight

10.69 lbs / 4.85 kg

### Warranty