



USA / deltalight.us / +1(954) 677 9800  
 Canada / deltalight.ca / +1(905) 813 6130

Date \_\_\_\_\_

Name \_\_\_\_\_

Client \_\_\_\_\_

Project name \_\_\_\_\_

Quote# \_\_\_\_\_

Type/Quantity \_\_\_\_\_

**Listings**

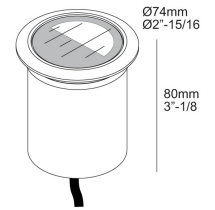
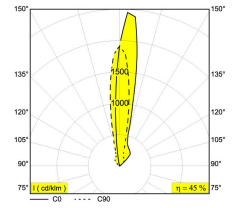


25/04/2022 12:29:40

# Specification Sheet

**LOGIC 60 R1 AMOON 93520**  
**6 213 461 10 811 952**

[Weblink](#)



Cutout shape/size: 2" 3/8

Recessed depth: 3" 15/16

Available colors: ALU ANODIZED (6 213 461 10 811 952 ANO)  
 BLACK (6 213 461 10 811 952 B)

1 x LED 7,1W / CRI>90 / 3500K / 837lm  
 REFLECTOR FL-20°  
 INCL.CABLE 2 x 20 AWG 5'  
 EXCL.LED POWER SUPPLY 24V-DC (non-dimmable)  
 For other CRI or KELVIN, contact factory

LED Technics: Light source: 837 lm // 7 W // 118 lm/W  
 Luminaire: 375 lm // 8 W // 46 lm/W

24V-DC

Class 2 Yes  
 Ada N.a.

Weight: 0.9 LBS  
 Protection level: IP67 - suitable for wet locations  
 Minimum distance: n.a.

Options: JUNCTION BOX  
 IP68 CONNECTOR 3P

**Requirements :**  
 LOGIC 60 BOX R  
 LED POWER SUPPLY 24V-DC (Remote)

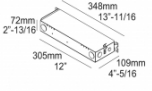
For detailed installation instructions, please consult the manual. [6\\_213\\_461\\_10\\_811\\_XXX\\_HAND.pdf](#)

**LOGIC 60 R1 AMOON 93520**  
**6 213 461 10 811 952**

## Related references

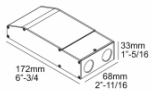
### LED POWER SUPPLIES - REMOTE

[Weblink / Specsheet](#)



LED POWER SUPPLY 24V-DC / 90W  
DIM1  
6 300 89 24 90 ED1  
120-277V / 60Hz  
Number of luminaires: 10

[Weblink / Specsheet](#)

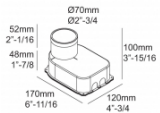


LED POWER SUPPLY 24V-DC / 96W  
DIM8  
6 300 89 24 96 ED8  
120V / 60Hz  
Number of luminaires: 12

## Related references

### GROUND MOUNTING BOXES

[Weblink / Specsheet](#)

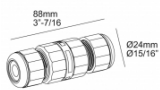


LOGIC 60 BOX R  
6 213 19 10

## Related references


### WATERPROOF CONNECTION PARTS

[Weblink / Specsheet](#)



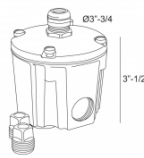
IP68 CONNECTOR 3P  
6 216 12 02

[Weblink / Specsheet](#)



IP68 CONNECTOR 5P  
6 216 12 03

[Weblink / Specsheet](#)



JUNCTION BOX  
6 216 12 00

LOGIC 60 R1 AMOON 93520  
6 213 461 10 811 952

Related project picture of product family:

