

Date _____

Name _____

Client _____

Project name _____

Quote# _____

Type/Quantity _____

Listings

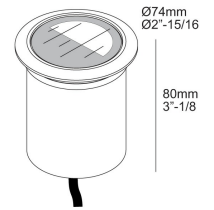
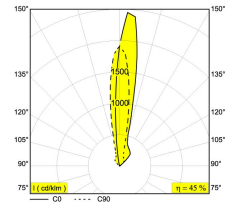


25/04/2022 12:29:31

Specification Sheet

LOGIC 60 R1 AMOON 93020 6 213 461 10 811 932

[Weblink](#)



Cutout shape/size: 2" 3/8

Recessed depth: 3" 15/16

Available colors: ALU ANODIZED (6 213 461 10 811 932 ANO)
 BLACK (6 213 461 10 811 932 B)

1 x LED 7,1W / CRI>90 / 3000K / 812lm
 REFLECTOR FL-20°
 INCL.CABLE 2 x 20 AWG 5'
 EXCL.LED POWER SUPPLY 24V-DC (non-dimmable)
 For other CRI or KELVIN, contact factory

LED Technics: Light source: 812 lm // 7 W // 115 lm/W
 Luminaire: 364 lm // 8 W // 45 lm/W

24V-DC

Class 2 Yes
 Ada N.a.

Weight: 0.9 LBS
 Protection level: IP67 - suitable for wet locations
 Minimum distance: n.a.

Options: JUNCTION BOX
 IP68 CONNECTOR 3P

Requirements :
 LOGIC 60 BOX R
 LED POWER SUPPLY 24V-DC (Remote)

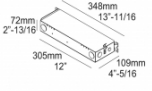
For detailed installation instructions, please consult the manual. [6_213_461_10_811_XXX_HAND.pdf](#)

LOGIC 60 R1 AMOON 93020
6 213 461 10 811 932

Related references

LED POWER SUPPLIES - REMOTE

[Weblink / Specsheet](#)



LED POWER SUPPLY 24V-DC / 90W
DIM1
6 300 89 24 90 ED1
120-277V / 60Hz
Number of luminaires: 10

[Weblink / Specsheet](#)

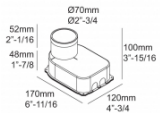


LED POWER SUPPLY 24V-DC / 96W
DIM8
6 300 89 24 96 ED8
120V / 60Hz
Number of luminaires: 12

Related references

GROUND MOUNTING BOXES

[Weblink / Specsheet](#)

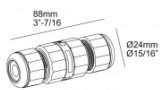


LOGIC 60 BOX R
6 213 19 10

Related references


WATERPROOF CONNECTION PARTS

[Weblink / Specsheet](#)



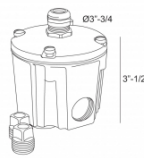
IP68 CONNECTOR 3P
6 216 12 02

[Weblink / Specsheet](#)



IP68 CONNECTOR 5P
6 216 12 03

[Weblink / Specsheet](#)



JUNCTION BOX
6 216 12 00

Related project picture of product family:

