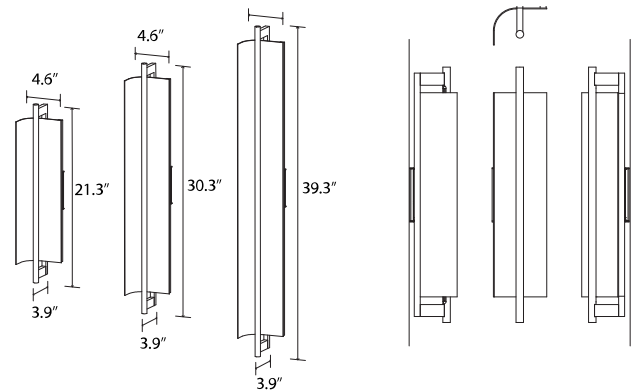


Allavo vanity sconce



Allavo 40



Allavo 22 dimensions: 21.3" x 4.6" x 3.9"
 Allavo 31 dimensions: 30.3" x 4.6" x 3.9"
 Allavo 40 dimensions: 39.3" x 4.6" x 3.9"
 Allavo 22 weight: 2 lb
 Allavo 31 weight: 2 lb
 Allavo 40 weight: 3 lb
 Light source: integrated LED
 Allavo 22 light output: 780 Lumens (source)
 Allavo 31 light output: 1170 Lumens (source)
 Allavo 40 light output: 1560 Lumens (source)
 Light color: 2700 K, 3000 K, 3500 K or 4000 K
 Color accuracy: 90+ CRI
 Allavo 22 power usage: 11 W
 Allavo 31 power usage: 16 W
 Allavo 40 power usage: 21 W
 Dimmable (see driver below)
 Driver location: must be housed in J-box
 Allavo 22 driver dimensions: 2.63" x 1.25" x 0.8", included
 Allavo 31 driver dimensions: 3.0" x 1.0" x 1.5", included
 Allavo 40 driver dimensions: 2.82" x 2.5" x 1.2", included
 Wood grain will vary
 Specifications subject to change
 The Allavo can be oriented as a vertical sconce or horizontal sconce. When oriented vertically, a right or left orientation can be achieved by flipping the fixture vertically.

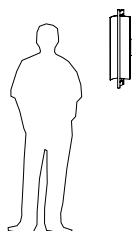


Allavo 22



Details

Cerno's product development team prioritized the utility of the Allavo vanity, while not ignoring the importance of the aesthetic. Drawing from our experience with product photography, we knew that a large diffuse light source was the key to achieving our goal. The novel design uses indirect lighting that bounces off a curved metal surface. Cerno's signature use of wood is integrated seamlessly into a design we believe harmonizes usefulness and beauty.



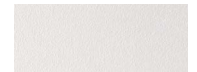
MATERIAL & FINISH OPTIONS

Allavo part #: 03-250-

Option	Code
Size	22, 31, 40
Metal Finish	B, Y
Wood Finish	W, D, O
Lamping	27, 30, 35, 40
Driver	P1, P2



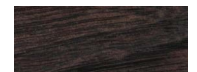
textured black (CM-049)



textured white (CM-060)



walnut (CM-001)



dark stained walnut (CM-002)



white washed oak (CM-095)

Includes: brushed aluminum (CM-006)

WARNING. California Proposition 65 Warning for California Consumers. This product can expose you to chemicals including wood dust and lead which are known to the State of California to cause cancer or birth defects or other reproductive harm. For more information go to www.P65Warnings.ca.gov