



USA / deltalight.us / +1(954) 677 9800
Canada / deltalight.ca / +1(905) 813 6130

Date _____

Name _____

Client _____

Project name _____

Quote# _____

Type/Quantity _____

Features

Powder coated stainless steel construction

Application

For indication lighting Residential, commercial, retail, and hospitality spaces

Dimming Options

Refer to housing or power supply spec sheet.

Listings

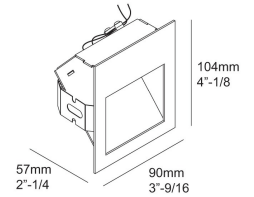
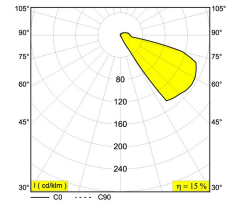


Specification Sheet

HELI X SCREEN LED WW

6 202 04 22

[Weblink](#)



Cutout shape/size: 2" 15/16 x 3" 7/16

Recessed depth: 2" 3/8

Available colors: ALU GREY (6 202 04 22 A)
DARK GREY (6 202 04 22 N)

1 x LED 1W / CRI>80 / 3000K / 132lm
EXCL.LED POWER SUPPLY 350mA-DC
For other CRI or KELVIN, contact factory

LED Technics: Light source: 132 lm // 1 W // 132 lm/W
Luminaire: 20 lm // 2 W // 10 lm/W

Class 2: Yes
Ada: N.a.

Weight: 0.7 LBS
Protection level: IP54 - suitable for wet locations
Minimum distance: n.a.

Options: CONCRETE BOX 187

Requirements :
LED POWER SUPPLY 350mA-DC DIM (Remote)

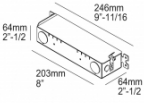
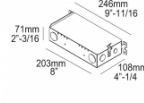
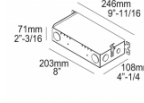
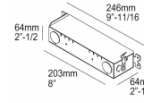
For detailed installation instructions, please consult the manual. [6_202_04_22_HAND.pdf](#)

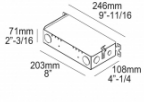
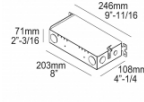
25/04/2022 09:05:59

HELI X SCREEN LED WW
6 202 04 22

Related references

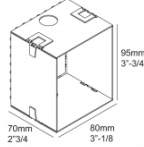
LED POWER SUPPLIES - REMOTE

<p style="text-align: center;">Weblink / Specsheet</p>  <p>LED POWER SUPPLY 350mA-DC / 11W DIM8 6 300 46 ED8 120V / 60Hz Number of luminaires: 3 -> 9</p>	<p style="text-align: center;">Weblink / Specsheet</p>  <p>LED POWER SUPPLY 350mA-DC / 13W DIM12 6 300 70 ED12 120V / 60Hz Number of luminaires: 6 -> 10</p>	<p style="text-align: center;">Weblink / Specsheet</p>  <p>LED POWER SUPPLY 350mA-DC / 19W DIM1 6 300 44 ED1 120-277V / 60Hz Number of luminaires: 4 -> 15</p>	<p style="text-align: center;">Weblink / Specsheet</p>  <p>LED POWER SUPPLY 350mA-DC / 19W DIM13 6 300 41 ED13 120-277V / 60Hz Number of luminaires: 4 -> 15</p>
---	--	--	--

<p style="text-align: center;">Weblink / Specsheet</p>  <p>LED POWER SUPPLY MULTI-POWER DIM7 6 300 15 120V / 60Hz Number of luminaires: 12 / - / -</p>	<p style="text-align: center;">Weblink / Specsheet</p>  <p>LED POWER SUPPLY MULTI-POWER DIM14 6 300 14 ED7 120V / 60Hz Number of luminaires: 6 -> 12 / - / -</p>
---	--

Related references

CONCRETE BOXES

<p style="text-align: center;">Weblink / Specsheet</p>  <p>CONCRETE BOX 187 270 11 187</p>
--

HELI X SCREEN LED WW
6 202 04 22

Related project picture of product family:

