



USA / deltalight.us / +1(954) 677 9800  
 Canada / deltalight.ca / +1(905) 813 6130

Date \_\_\_\_\_

\_\_\_\_\_

Name \_\_\_\_\_

\_\_\_\_\_

Client \_\_\_\_\_

\_\_\_\_\_

Project name \_\_\_\_\_

\_\_\_\_\_

Quote# \_\_\_\_\_

\_\_\_\_\_

Type/Quantity \_\_\_\_\_

\_\_\_\_\_

**Listings**

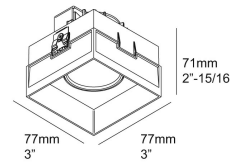
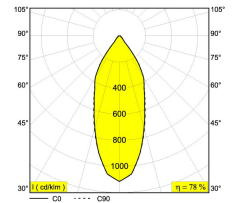


22/04/2022 12:25:02

Specification Sheet

**CARREE TRIMLESS LED 93533 S1**  
**6 202 51 811 952**

[Weblink](#)



Cutout shape/size: Ø KIT

Recessed depth: 3"

Available colors: WHITE (6 202 51 811 952 W)

NONADJUSTABLE  
 LED 10,4-15W / CRI>90 / 3500K / 1163-1565lm  
 REFLECTOR FL-33°  
 EXCL. LED POWER SUPPLY 500-700mA-DC  
 500mA for standard applications / 700mA only for remodel NON-IC applications  
 For other CRI or KELVIN, contact factory

LED Technics: Light source: 1163 lm // 10 W // 113 lm/W  
 Luminaire: 907 lm // 12 W // 76 lm/W

Class 2 N.a.  
 Ada N.a.  
 Installation methods INSULATED CEILING INSTALLATION  
 NON-INSULATED CEILING INSTALLATION

Weight: 0.5 LBS  
 Protection level: IP23/20 - suitable for damp locations  
 Minimum distance: n.a.

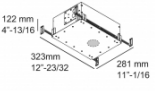
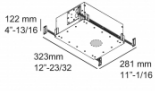
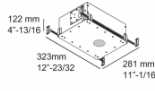
Remarks: MOUNTING KIT S127 TRIMLESS required for Remodel NON-IC applications.

For detailed installation instructions, please consult the manual. [6 202 51 811 XXX HAND.pdf](#)

**CARREE TRIMLESS LED 93533 S1**  
**6 202 51 811 952**

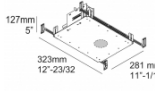
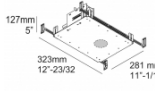
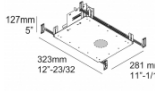
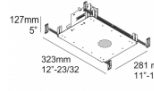
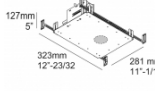
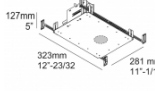
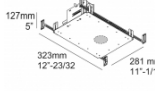
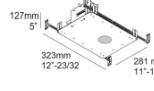
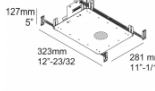
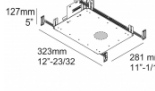
**Related references**

**IC HOUSINGS**

<p style="text-align: center;"><a href="#">Weblink / Specsheet</a></p>  <p>● indicative opening</p> <p>IC/NIC AT S 500mA-DC 10,5W 0-10V dim 120-277V TRIMLESS          6 202 7108 06 31</p>	<p style="text-align: center;"><a href="#">Weblink / Specsheet</a></p>  <p>● indicative opening</p> <p>IC/NIC AT S 500mA-DC 10,5W Mains dim 120V TRIMLESS          6 202 7102 06 11</p>	<p style="text-align: center;"><a href="#">Weblink / Specsheet</a></p>  <p>● indicative opening</p> <p>IC/NIC AT S 500mA-DC 15W Hi-Lume EcoSystem 120-277V TRIMLESS          6 202 7122 06 31</p>
--	--	--

**Related references**

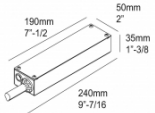
**NON IC PLASTERFRAMES**

<p style="text-align: center;"><a href="#">Weblink / Specsheet</a></p>  <p>● Indicative opening</p> <p>NIC S 500mA-DC 10,5W 0-10V dim 120V TRIMLESS          6 202 01108 06 11</p>	<p style="text-align: center;"><a href="#">Weblink / Specsheet</a></p>  <p>● Indicative opening</p> <p>NIC S 500mA-DC 10,5W 0-10V dim 277V TRIMLESS          6 202 01108 06 21</p>	<p style="text-align: center;"><a href="#">Weblink / Specsheet</a></p>  <p>● Indicative opening</p> <p>NIC S 500mA-DC 10,5W Mains dim 120V TRIMLESS          6 202 01102 06 11</p>	<p style="text-align: center;"><a href="#">Weblink / Specsheet</a></p>  <p>● Indicative opening</p> <p>NIC S 500mA-DC 15W Hi-Lume EcoSystem 120V TRIMLESS          6 202 01122 06 11</p>
<p style="text-align: center;"><a href="#">Weblink / Specsheet</a></p>  <p>● Indicative opening</p> <p>NIC S 500mA-DC 15W Hi-Lume EcoSystem 277V TRIMLESS          6 202 01122 06 21</p>	<p style="text-align: center;"><a href="#">Weblink / Specsheet</a></p>  <p>● Indicative opening</p> <p>NIC S 700mA-DC 14,7W 0-10V dim 120V TRIMLESS          6 202 01109 06 11</p>	<p style="text-align: center;"><a href="#">Weblink / Specsheet</a></p>  <p>● Indicative opening</p> <p>NIC S 700mA-DC 14,7W 0-10V dim 277V TRIMLESS          6 202 01109 06 21</p>	<p style="text-align: center;"><a href="#">Weblink / Specsheet</a></p>  <p>● Indicative opening</p> <p>NIC S 700mA-DC 14,7W Mains dim 120V TRIMLESS          6 202 01103 06 11</p>
<p style="text-align: center;"><a href="#">Weblink / Specsheet</a></p>  <p>● Indicative opening</p> <p>NIC S 700mA-DC 16W Hi-Lume EcoSystem 120V TRIMLESS          6 202 01123 06 11</p>	<p style="text-align: center;"><a href="#">Weblink / Specsheet</a></p>  <p>● Indicative opening</p> <p>NIC S 700mA-DC 16W Hi-Lume EcoSystem 277V TRIMLESS          6 202 01123 06 21</p>		

**Related references**

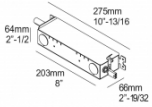
**REMODEL NIC**

[Weblink / Specs sheet](#)



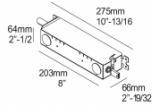
NIC 500mA-DC 12W Mains dim 120V  
6 202 919 99 11

[Weblink / Specs sheet](#)



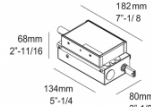
NIC 500mA-DC 15W Hi-Jume 1%  
EcoSystem 120V  
6 202 9122 99 11

[Weblink / Specs sheet](#)



NIC 500mA-DC 15W Hi-Jume 1%  
EcoSystem 277V  
6 202 9122 99 21

[Weblink / Specs sheet](#)



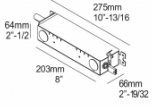
NIC 500mA-DC 25W 0-10V dim 120V  
6 202 920 99 11

[Weblink / Specs sheet](#)



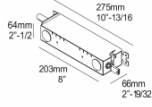
NIC 500mA-DC 25W 0-10V dim 277V  
6 202 920 99 21

[Weblink / Specs sheet](#)



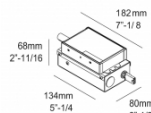
NIC 700mA-DC 16W Hi-Jume  
EcoSystem 120V  
6 202 9123 99 11

[Weblink / Specs sheet](#)



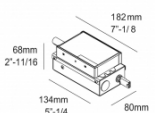
NIC 700mA-DC 16W Hi-Jume  
EcoSystem 277V  
6 202 9123 99 21

[Weblink / Specs sheet](#)



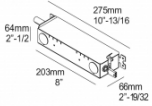
NIC 700mA-DC 25W 0-10V dim 120V  
6 202 969 99 11

[Weblink / Specs sheet](#)



NIC 700mA-DC 25W 0-10V dim 277V  
6 202 969 99 21

[Weblink / Specs sheet](#)



NIC 700mA-DC 25W Mains dim 120V  
6 202 921 99 11

**Related references**  
**MOUNTING KITS NEW CONSTRUCTION**

[Weblink / Specs sheet](#)



MOUNTING KIT S127 TRIMLESS  
6 202 05 01

CARREE TRIMLESS LED 93533 S1  
6 202 51 811 952

Related project picture of product family:

