



USA / deltalight.us / +1(954) 677 9800
Canada / deltalight.ca / +1(905) 813 6130

Date _____

Name _____

Client _____

Project name _____

Quote# _____

Type/Quantity _____

Listings

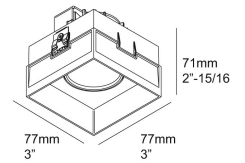
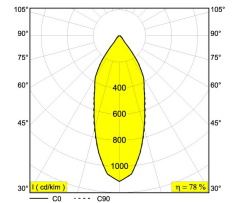


22/04/2022 12:24:56

Specification Sheet

CARREE TRIMLESS LED 93033 S1 6 202 51 811 932

[Weblink](#)



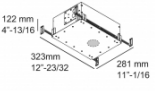
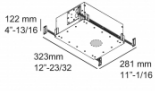
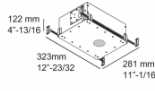
| | |
|--|---|
| Cutout shape/size: | Ø KIT |
| Recessed depth: | 3" |
| Available colors: | WHITE (6 202 51 811 932 W) |
| NONADJUSTABLE LED 10,4-15W / CRI>90 / 3000K / 1128-1517lm REFLECTOR FL-33° EXCL.LED POWER SUPPLY 500-700mA-DC 500mA for standard applications / 700mA only for remodel NON-IC applications For other CRI or KELVIN, contact factory | |
| LED Technics: | Light source: 1128 lm // 10 W // 110 lm/W Luminaire: 880 lm // 12 W // 74 lm/W |
| Class 2 | N.a. |
| Ada | N.a. |
| Installation methods | INSULATED CEILING INSTALLATION NON-INSULATED CEILING INSTALLATION |
| Weight: | 0.5 LBS |
| Protection level: | IP23/20 - suitable for damp locations |
| Minimum distance: | n.a. |
| Remarks: | MOUNTING KIT S127 TRIMLESS required for Remodel NON-IC applications. |

For detailed installation instructions, please consult the manual. [6 202 51 811 XXX HAND.pdf](#)

CARREE TRIMLESS LED 93033 S1
6 202 51 811 932

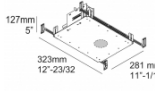
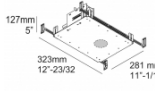
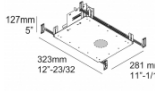
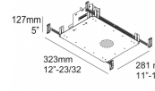
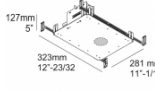
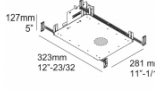
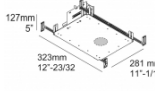
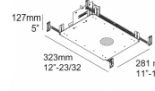
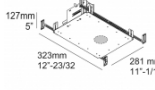
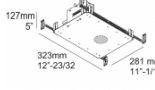
Related references

IC HOUSINGS

| | | |
|--|--|--|
| <p style="text-align: center;">Weblink / Specsheet</p>  <p>● indicative opening</p> <p>IC/NIC AT S 500mA-DC 10,5W 0-10V dim 120-277V TRIMLESS 6 202 7108 06 31</p> | <p style="text-align: center;">Weblink / Specsheet</p>  <p>● indicative opening</p> <p>IC/NIC AT S 500mA-DC 10,5W Mains dim 120V TRIMLESS 6 202 7102 06 11</p> | <p style="text-align: center;">Weblink / Specsheet</p>  <p>● indicative opening</p> <p>IC/NIC AT S 500mA-DC 15W Hi-Lume EcoSystem 120-277V TRIMLESS 6 202 7122 06 31</p> |
|--|--|--|

Related references

NON IC PLASTERFRAMES

| | | | |
|--|--|--|---|
| <p style="text-align: center;">Weblink / Specsheet</p>  <p>● Indicative opening</p> <p>NIC S 500mA-DC 10,5W 0-10V dim 120V TRIMLESS 6 202 01108 06 11</p> | <p style="text-align: center;">Weblink / Specsheet</p>  <p>● Indicative opening</p> <p>NIC S 500mA-DC 10,5W 0-10V dim 277V TRIMLESS 6 202 01108 06 21</p> | <p style="text-align: center;">Weblink / Specsheet</p>  <p>● Indicative opening</p> <p>NIC S 500mA-DC 10,5W Mains dim 120V TRIMLESS 6 202 01102 06 11</p> | <p style="text-align: center;">Weblink / Specsheet</p>  <p>● Indicative opening</p> <p>NIC S 500mA-DC 15W Hi-Lume EcoSystem 120V TRIMLESS 6 202 01122 06 11</p> |
| <p style="text-align: center;">Weblink / Specsheet</p>  <p>● Indicative opening</p> <p>NIC S 500mA-DC 15W Hi-Lume EcoSystem 277V TRIMLESS 6 202 01122 06 21</p> | <p style="text-align: center;">Weblink / Specsheet</p>  <p>● Indicative opening</p> <p>NIC S 700mA-DC 14,7W 0-10V dim 120V TRIMLESS 6 202 01109 06 11</p> | <p style="text-align: center;">Weblink / Specsheet</p>  <p>● Indicative opening</p> <p>NIC S 700mA-DC 14,7W 0-10V dim 277V TRIMLESS 6 202 01109 06 21</p> | <p style="text-align: center;">Weblink / Specsheet</p>  <p>● Indicative opening</p> <p>NIC S 700mA-DC 14,7W Mains dim 120V TRIMLESS 6 202 01103 06 11</p> |
| <p style="text-align: center;">Weblink / Specsheet</p>  <p>● Indicative opening</p> <p>NIC S 700mA-DC 16W Hi-Lume EcoSystem 120V TRIMLESS 6 202 01123 06 11</p> | <p style="text-align: center;">Weblink / Specsheet</p>  <p>● Indicative opening</p> <p>NIC S 700mA-DC 16W Hi-Lume EcoSystem 277V TRIMLESS 6 202 01123 06 21</p> | | |

Related references

REMODEL NIC

[Weblink / Specs sheet](#)

NIC 500mA-DC 12W Mains dim 120V
6 202 919 99 11

[Weblink / Specs sheet](#)

NIC 500mA-DC 15W Hi-Jume 1%
EcoSystem 120V
6 202 9122 99 11

[Weblink / Specs sheet](#)

NIC 500mA-DC 15W Hi-Jume 1%
EcoSystem 277V
6 202 9122 99 21

[Weblink / Specs sheet](#)

NIC 500mA-DC 25W 0-10V dim 120V
6 202 920 99 11

[Weblink / Specs sheet](#)

NIC 500mA-DC 25W 0-10V dim 277V
6 202 920 99 21

[Weblink / Specs sheet](#)

NIC 700mA-DC 16W Hi-Jume
EcoSystem 120V
6 202 9123 99 11

[Weblink / Specs sheet](#)

NIC 700mA-DC 16W Hi-Jume
EcoSystem 277V
6 202 9123 99 21

[Weblink / Specs sheet](#)

NIC 700mA-DC 25W 0-10V dim 120V
6 202 969 99 11

[Weblink / Specs sheet](#)

NIC 700mA-DC 25W 0-10V dim 277V
6 202 969 99 21

[Weblink / Specs sheet](#)

NIC 700mA-DC 25W Mains dim 120V
6 202 921 99 11

Related references
MOUNTING KITS NEW CONSTRUCTION

[Weblink / Specs sheet](#)

MOUNTING KIT S127 TRIMLESS
6 202 05 01

CARREE TRIMLESS LED 93033 S1
6 202 51 811 932

Related project picture of product family:

