

Date _____

Name _____

Client _____

Project name _____

Quote# _____

Type/Quantity _____

Listings

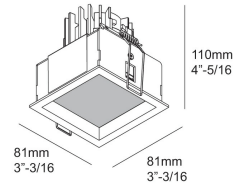
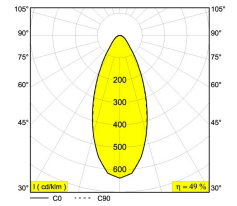


21/04/2022 16:59:38

Specification Sheet

CARREE GT LED 9-SOFT S1 6 202 49 1902

[Weblink](#)



Cutout shape/size: 3" x 3"

Recessed depth: 4" 5/16

Thickness of mounting surface: max.1" 3/8

Available colors: ALU GREY (6 202 49 1902 A)
 WHITE (6 202 49 1902 W)

NON ADJUSTABLE
 LED 9,5W / CRI>90 / 2700K-1800K / 760lm
 REFLECTOR FL-40°
 EXCL.DIMMABLE LED POWER SUPPLY 650mA-DC

LED Technics: Light source: 760 lm // 9 W // 82 lm/W
 Luminaire: 371 lm // 12 W // 34 lm/W

Class 2 N.a.
 Ada N.a.
 Installation methods INSULATED CEILING INSTALLATION
 NON-INSULATED CEILING INSTALLATION

Weight: 0.9 LBS
 Protection level: IP44/20-20/20 - suitable for damp locations
 Minimum distance: n.a.

Requirements :
 ROUGH-IN
 REMODEL NON-IC

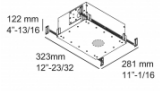
For detailed installation instructions, please consult the manual. [6_202_49_1902_HAND.pdf](#)

CARREE GT LED 9-SOFT S1
6 202 49 1902

Related references

IC HOUSINGS

[Weblink / Specsheet](#)



● Indicative opening

IC/NIC AT S 650mA-DC 13W Mains dim 120V
6 202 722 05 11

Related references

NON IC PLASTERFRAMES

[Weblink / Specsheet](#)



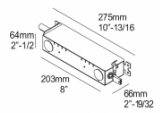
● Indicative opening

NIC S 650mA-DC 13W Mains dim 120V
6 202 0122 05 11

Related references

REMODEL NIC

[Weblink / Specsheet](#)



NIC 650mA-DC 13W Mains dim 120V
6 202 922 99 11

CARREE GT LED 9-SOFT S1
6 202 49 1902

Related project picture of product family:

